

■ Features

- Ultra low profile.
- Magnetic shielded for low radiation.
- Bobbin ferrite core and compact size.
- Low core loss for high frequency power application.
- Large terminal surface for good PCB bonding.
- Operating temperature:-40℃ ~ +125℃.

■ Applications

- Portable communication equipment.
- Notebook PC,digital camera,LCD television set.
- Power supply for VTR,OA equipment.
- DC/DC converters.

■ Product Identification

$\frac{\text{XRRH}}{(1)} \quad \frac{\square\square\square\square}{(2)} - \frac{\square\square\square}{(3)} \quad \frac{\text{M}}{(4)}$

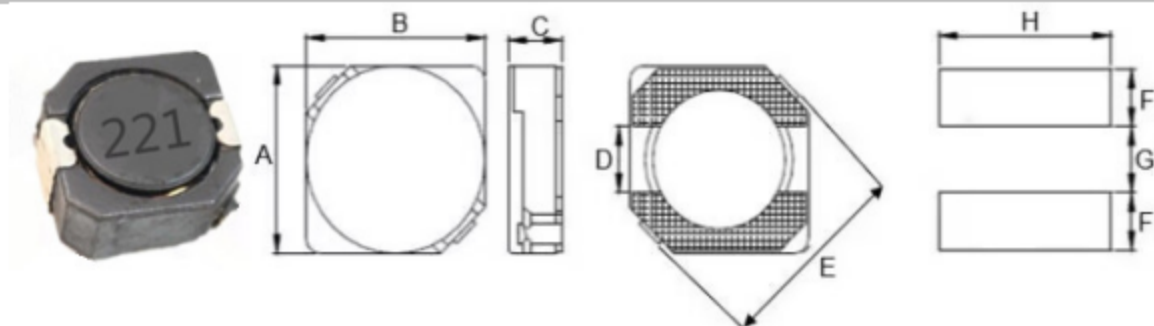
(1) : Type

(2) : Dimensions

(3) : Inductance value

(4) : Inductance Tolerance; N=±30%,M=±20%, K=±10%

■ Shapes and Dimensions (Unit: mm)



| TYPE | A | B | C max. | D | E | F Ref. | G Ref. | H Ref. |
|----------|---------|---------|--------|------|-----|--------|--------|--------|
| XRRH6D38 | 6.7±0.3 | 6.7±0.3 | 4.0 | 2.00 | 9.5 | 2.65 | 2.0 | 7.3 |

■ XRRH6D38 Series

| Part Number | Inductance (uH) | Test Freq.(KHz) | DCR MAX.(Ω) | Rated Current (A) |
|---------------|-----------------|-----------------|-------------|-------------------|
| XRRH6D38-1R0M | 1.0 | 100 | 0.017 | 7.00 |
| XRRH6D38-1R5M | 1.5 | 100 | 0.018 | 5.20 |
| XRRH6D38-2R2M | 2.2 | 100 | 0.018 | 4.50 |
| XRRH6D38-2R5M | 2.5 | 100 | 0.019 | 4.00 |
| XRRH6D38-3R0M | 3.0 | 100 | 0.020 | 3.50 |
| XRRH6D38-3R3M | 3.3 | 100 | 0.022 | 3.30 |
| XRRH6D38-4R7M | 4.7 | 100 | 0.024 | 3.00 |
| XRRH6D38-5R0M | 5.0 | 100 | 0.024 | 2.90 |
| XRRH6D38-6R2M | 6.2 | 100 | 0.027 | 2.50 |
| XRRH6D38-6R8M | 6.8 | 100 | 0.029 | 2.40 |
| XRRH6D38-7R3M | 7.3 | 100 | 0.031 | 2.30 |
| XRRH6D38-8R2M | 8.2 | 100 | 0.034 | 2.20 |
| XRRH6D38-100M | 10.0 | 100 | 0.038 | 2.00 |
| XRRH6D38-120M | 12.0 | 100 | 0.053 | 1.70 |

XRRH6D38 Series-Power Inductors

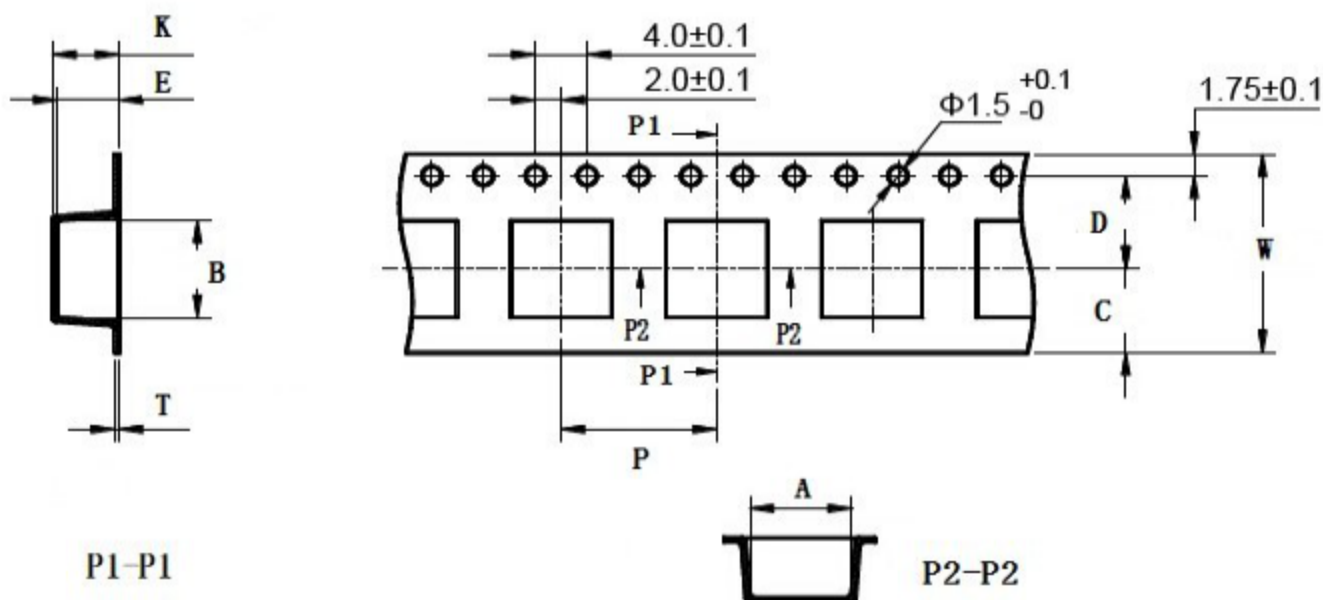
| Part Number | Inductance (uH) | Test Freq.(KHz) | DCR MAX.(Ω) | Rated Current (A) |
|---------------|-----------------|-----------------|-------------|-------------------|
| XRRH6D38-150M | 15.0 | 100 | 0.057 | 1.60 |
| XRRH6D38-180M | 18.0 | 100 | 0.092 | 1.50 |
| XRRH6D38-220M | 22.0 | 100 | 0.096 | 1.30 |
| XRRH6D38-270M | 27.0 | 100 | 0.109 | 1.20 |
| XRRH6D38-330M | 33.0 | 100 | 0.124 | 1.10 |
| XRRH6D38-390M | 39.0 | 100 | 0.138 | 1.00 |
| XRRH6D38-470M | 47.0 | 100 | 0.155 | 0.95 |
| XRRH6D38-560M | 56.0 | 100 | 0.202 | 0.85 |
| XRRH6D38-680M | 68.0 | 100 | 0.234 | 0.75 |
| XRRH6D38-820M | 82.0 | 100 | 0.324 | 0.70 |
| XRRH6D38-101M | 100 | 100 | 0.358 | 0.65 |
| XRRH6D38-121M | 120 | 100 | 0.470 | 0.59 |
| XRRH6D38-151M | 150 | 100 | 0.580 | 0.54 |
| XRRH6D38-181M | 180 | 100 | 0.690 | 0.49 |
| XRRH6D38-221M | 220 | 100 | 0.890 | 0.43 |
| XRRH6D38-271M | 270 | 100 | 1.290 | 0.40 |
| XRRH6D38-331M | 330 | 100 | 1.700 | 0.37 |
| XRRH6D38-391M | 390 | 100 | 1.750 | 0.34 |
| XRRH6D38-471M | 470 | 100 | 2.200 | 0.32 |
| XRRH6D38-561M | 560 | 100 | 2.850 | 0.29 |
| XRRH6D38-681M | 680 | 100 | 3.200 | 0.25 |
| XRRH6D38-821M | 820 | 100 | 4.050 | 0.22 |
| XRRH6D38-102M | 1000 | 100 | 5.700 | 0.20 |

※ The saturation current value is the DC current value having inductance decrease down to 30%. (at 20°C)

※ The temperature rise current value is the DC current value having temperature increase up to 40°C. (at 20°C)

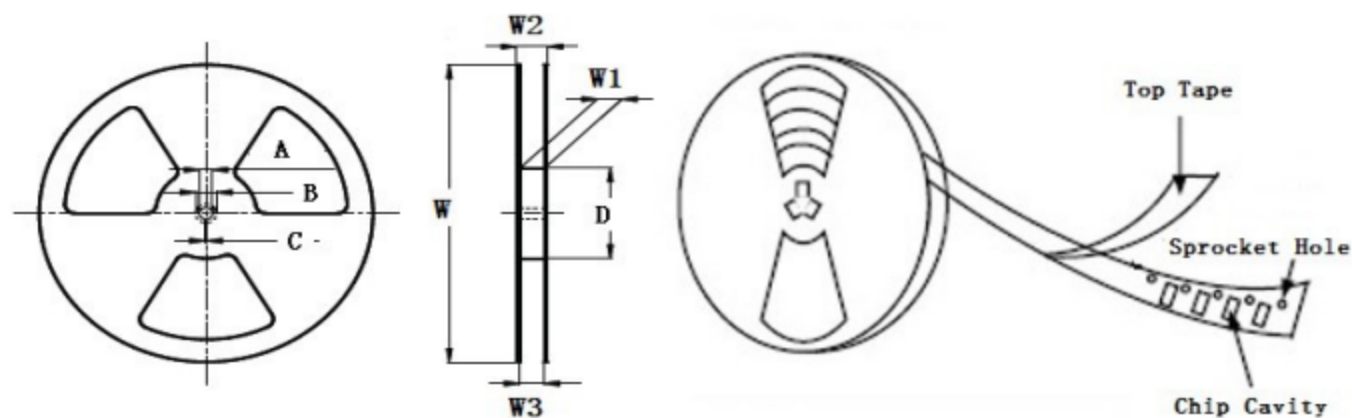
※ The rated current is the DC current value that satisfies both of current value saturation current value and temperature rise current value.

■ Taping Dimensions(Unit:mm)



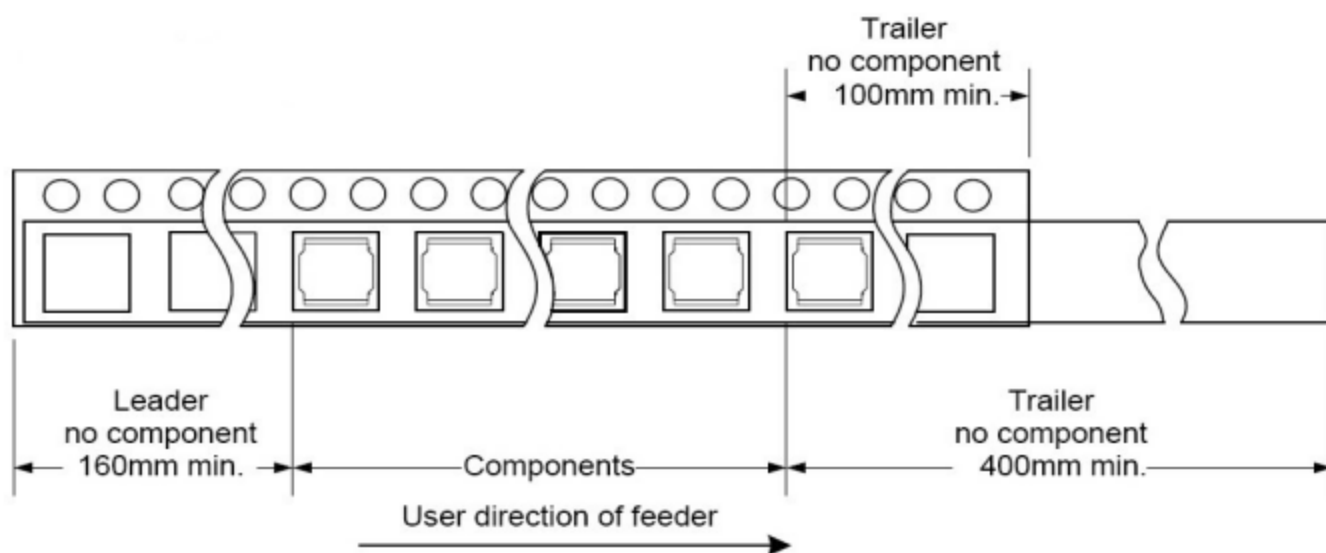
| TYPE | W | A | B | C | D | E | P | K Ref | T | MPQ |
|----------|--------|----------|----------|------|---------|----------|--------|-------|-----------|------|
| XRRH6D38 | 16±0.3 | 7.25±0.1 | 7.25±0.1 | 6.75 | 7.5±0.1 | 4.00±0.1 | 12±0.1 | 4.20 | 0.35±0.05 | 1000 |

■ Reel Dimensions(Unit:mm)

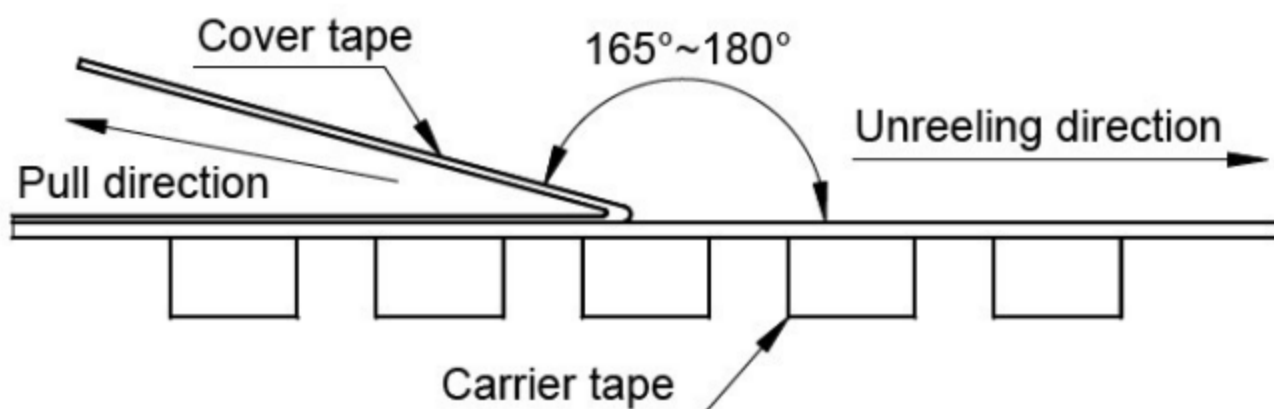


| TYPE | W | W1 | W2 | W3 | A | B | C | D |
|----------|---------|----------|----------|----------|-----------|-----------|----------|---------|
| XRRH6D38 | 330±2.0 | 16.4±2.0 | 22.4 Max | 15.9 Min | 13.0±0.50 | 21.0±0.80 | 2.0±0.50 | 100 Min |

Direction of rolling



Cover tape peel off condition



Cover tape peel force shall be 0.1N to 1.3N.

Reference peel speed 300 ± 10 mm/min.

X-ON Electronics

Largest Supplier of Electrical and Electronic Components

Click to view similar products for [Fixed Inductors](#) category:

Click to view products by [MaxLinear](#) manufacturer:

Other Similar products are found below :

[CR32NP-100KC](#) [CR54NP-470LC](#) [70F224AI](#) [MGDQ4-00004-P](#) [MHQ1005P10NJ](#) [MHQ1005P1N0S](#) [MHQ1005P2N4S](#) [MHQ1005P3N6S](#)
[MHQ1005P5N1S](#) [MHQ1005P8N2J](#) [PE-53601NL](#) [PE-53602NL](#) [PG0936.113NLT](#) [9220-20](#) [9310-16](#) [PM06-2N7](#) [PM06-39NJ](#) [A01TK](#)
[1206CS-471XJ](#) [HC2-R47-R](#) [HC8-1R2-R](#) [HCF1305-3R3-R](#) [1206CS-151XG](#) [RCH664NP-140L](#) [RCH664NP-4R7M](#) [RCP1317NP-391L](#)
[RCR110DNP-331L](#) [DH2280-4R7M](#) [DS1608C-106](#) [B10TJ](#) [B82498B3101J000](#) [ELJ-RE27NJF2](#) [1812CS-153XJ](#) [1812CS-183XJ](#) [1812CS-](#)
[223XJ](#) [1812LS-104XJ](#) [1812LS-105XJ](#) [1812LS-124XJ](#) [1812LS-154XJ](#) [1812LS-223XJ](#) [1812LS-224XJ](#) [1812LS-563XJ](#) [1812LS-683XJ](#)
[1812LS-824XJ](#) [NIN-FB101JTR110F](#) [NIN-FB471JTR62F](#) [NIN-FC1R5JTR220F](#) [NIN-HCR15JTRF](#) [NIN-HCR33JTRF](#) [NIN-HDR22JTRF](#)