

■ Features

- High current type.
- Ferrite bobbin core and compact size.
- Low core loss for high frequency power application.
- Large terminal surface for good PCB bonding.
- Operating temperature: $-40^{\circ}\text{C} \sim +125^{\circ}\text{C}$.

■ Applications

- Portable communication equipment.
- Notebook PC, digital camera, LCD television set.
- Power supply for VTR, OA equipment.
- DC/DC converters.

■ Product Identification

$\frac{\text{XRRH}}{(1)} \quad \frac{\square\square\square}{(2)} - \frac{\square\square\square}{(3)} \quad \frac{\text{M}}{(4)}$

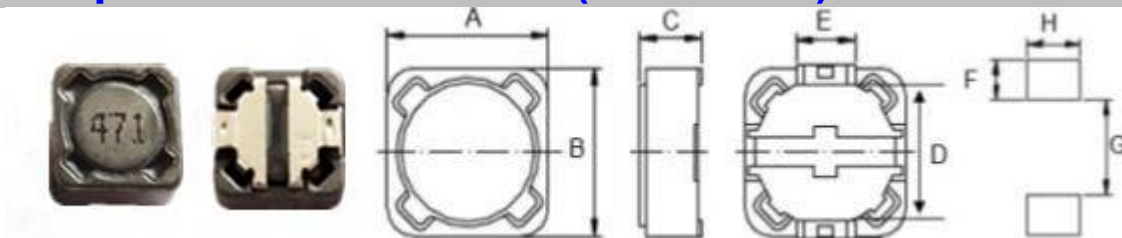
(1) : Type

(2) : Dimensions

(3) : Inductance value

(4) : Inductance Tolerance; M= $\pm 20\%$

■ Shapes and Dimensions (Unit: mm)



| TYPE | A | B | C max | D | E | F Ref. | G Ref. | H Ref. |
|--------|----------|----------|-------|----------|-----|--------|--------|--------|
| XRRH74 | 7.30±0.5 | 7.30±0.5 | 4.5 | 5.40±0.2 | 1.8 | 1.6 | 4.8 | 2.2 |

XRRH74 Series-Power Inductors

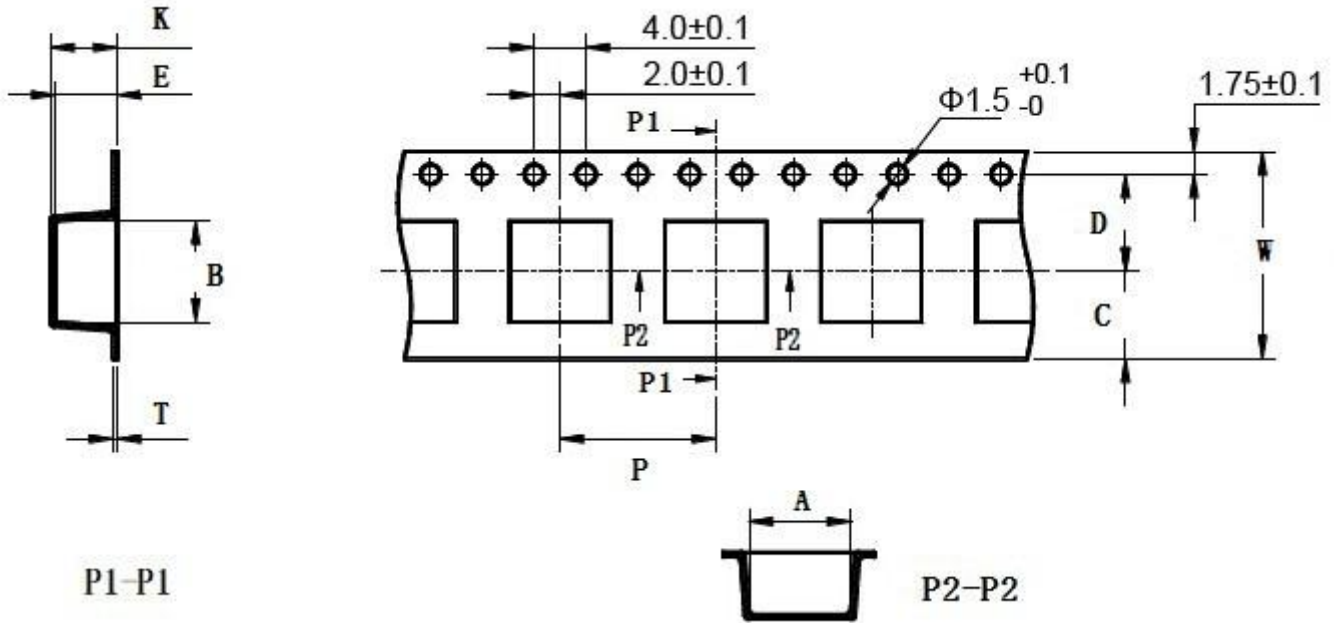
| Part Number | Inductance (uH) | L Test Frequency (KHz) | Max.DC Resistance (Ω) | MAX.Rated Current (A) |
|--------------------|----------------------------|-----------------------------------|----------------------------------|----------------------------------|
| XRRH74-1R0M | 1.00 | 100 | 0.015 | 9.00 |
| XRRH74-1R5M | 1.50 | 100 | 0.018 | 7.00 |
| XRRH74-2R2M | 2.20 | 100 | 0.028 | 6.00 |
| XRRH74-2R7M | 2.70 | 100 | 0.020 | 4.56 |
| XRRH74-3R3M | 3.30 | 100 | 0.025 | 4.20 |
| XRRH74-3R9M | 3.90 | 100 | 0.030 | 3.90 |
| XRRH74-4R7M | 4.70 | 100 | 0.038 | 3.70 |
| XRRH74-6R8M | 6.80 | 100 | 0.045 | 3.00 |
| XRRH74-100M | 10.0 | 100 | 0.049 | 1.84 |
| XRRH74-120M | 12.0 | 100 | 0.058 | 1.71 |
| XRRH74-150M | 15.0 | 100 | 0.081 | 1.47 |
| XRRH74-180M | 18.0 | 100 | 0.091 | 1.31 |
| XRRH74-220M | 22.0 | 100 | 0.110 | 1.23 |
| XRRH74-270M | 27.0 | 100 | 0.150 | 1.12 |
| XRRH74-330M | 33.0 | 100 | 0.170 | 0.96 |
| XRRH74-390M | 39.0 | 100 | 0.230 | 0.91 |
| XRRH74-470M | 47.0 | 100 | 0.260 | 0.88 |
| XRRH74-560M | 56.0 | 100 | 0.350 | 0.75 |
| XRRH74-680M | 68.0 | 100 | 0.380 | 0.69 |
| XRRH74-820M | 82.0 | 100 | 0.430 | 0.61 |
| XRRH74-101M | 100 | 100 | 0.610 | 0.60 |
| XRRH74-121M | 120 | 100 | 0.660 | 0.52 |
| XRRH74-151M | 150 | 100 | 0.880 | 0.46 |
| XRRH74-181M | 180 | 100 | 0.980 | 0.42 |
| XRRH74-221M | 220 | 100 | 1.170 | 0.36 |
| XRRH74-271M | 270 | 100 | 1.640 | 0.34 |

XRRH74 Series-Power Inductors

| Part Number | Inductance (μH) | L Test Frequency (KHz) | Max.DC Resistance (Ω) | MAX.Rated Current (A) |
|-------------|---------------------------------|---------------------------|-----------------------------------|--------------------------|
| XRRH74-331M | 330 | 100 | 1.860 | 0.32 |
| XRRH74-391M | 390 | 100 | 2.850 | 0.29 |
| XRRH74-471M | 470 | 100 | 3.010 | 0.26 |
| XRRH74-561M | 560 | 100 | 3.620 | 0.23 |
| XRRH74-681M | 680 | 100 | 4.630 | 0.22 |
| XRRH74-821M | 820 | 100 | 5.200 | 0.20 |
| XRRH74-102M | 1000 | 100 | 6.000 | 0.18 |

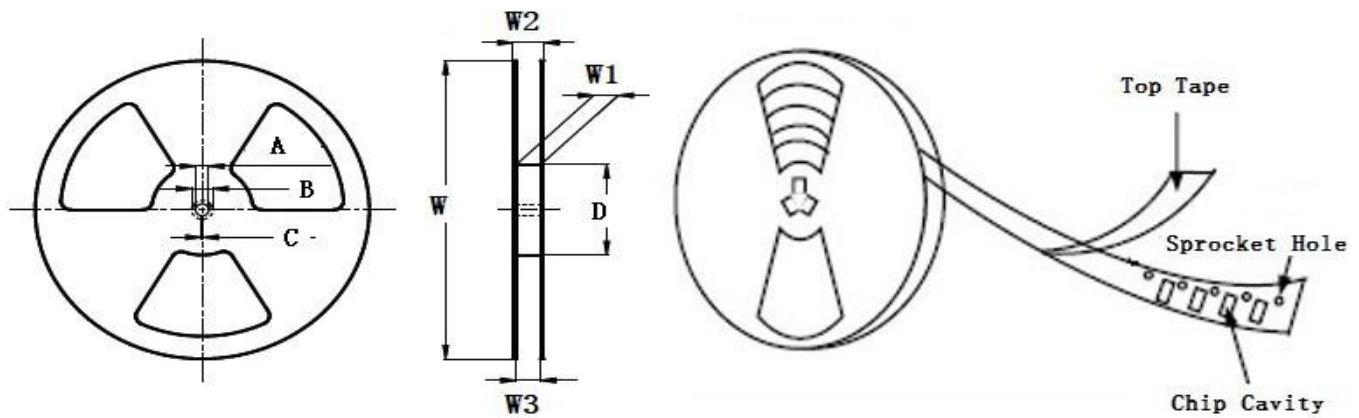
- ※ The saturation current value is the DC current value having inductance decrease down to 30%. (at 20°C)
- ※ The temperature rise current value is the DC current value having temperature increase up to 40°C. (at 20°C)
- ※ The rated current is the DC current value that satisfies both of current value saturation current value and temperature rise current value.

■ Taping Dimensions(Unit:mm)



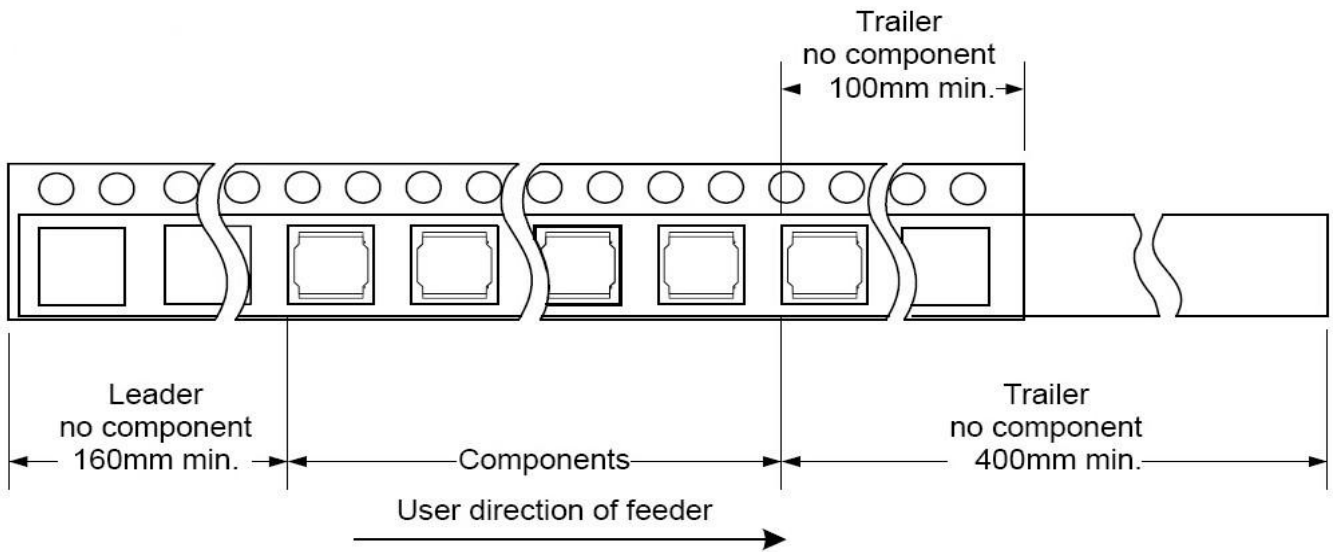
| TYPE | MPQ | W | A | B | C | D | E | P | K | T |
|--------|------|--------|---------|---------|------|---------|---------|--------|---------|-----------|
| XRRH74 | 1000 | 16±0.3 | 7.8±0.1 | 7.8±0.1 | 6.75 | 7.5±0.1 | 4.8±0.1 | 12±0.1 | 5.1 Ref | 0.35±0.05 |

■ Reel Dimensions(Unit:mm)

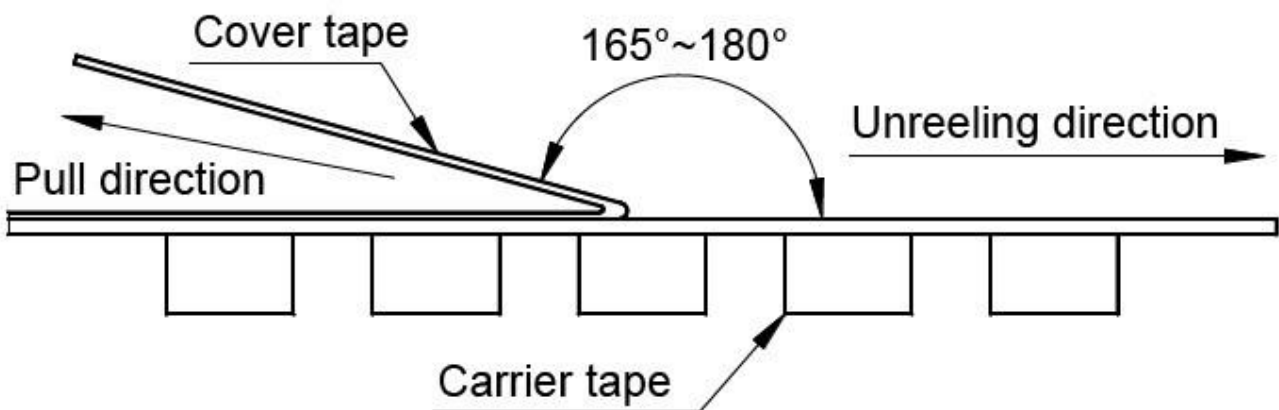


| TYPE | W | W1 | W2 | W3 | A | B | C | D |
|--------|----------|-----------|-----------|-----------|-----------|-----------|----------|---------|
| XRRH74 | 330±2.00 | 16.4±1.50 | 22.40 Max | 15.90 Min | 13.0±0.50 | 21.0±0.80 | 2.0±0.50 | 100 Min |

Direction of rolling



Cover tape peel off condition



Cover tape peel force shall be 0.1N to 1.3N.

Reference peel speed 300 ± 10 mm/min.

X-ON Electronics

Largest Supplier of Electrical and Electronic Components

Click to view similar products for [Fixed Inductors](#) category:

Click to view products by [MaxLinear](#) manufacturer:

Other Similar products are found below :

[CR32NP-100KC](#) [CR54NP-470LC](#) [70F224AI](#) [MGDQ4-00004-P](#) [MHQ1005P10NJ](#) [MHQ1005P1N0S](#) [MHQ1005P2N4S](#) [MHQ1005P3N6S](#)
[MHQ1005P5N1S](#) [MHQ1005P8N2J](#) [PE-53601NL](#) [PE-53602NL](#) [PG0936.113NLT](#) [9220-20](#) [9310-16](#) [PM06-2N7](#) [PM06-39NJ](#) [A01TK](#)
[1206CS-471XJ](#) [HC2-R47-R](#) [HC8-1R2-R](#) [HCF1305-3R3-R](#) [1206CS-151XG](#) [RCH664NP-140L](#) [RCH664NP-4R7M](#) [RCP1317NP-391L](#)
[RCR110DNP-331L](#) [DH2280-4R7M](#) [DS1608C-106](#) [B10TJ](#) [B82498B3101J000](#) [ELJ-RE27NJF2](#) [1812CS-153XJ](#) [1812CS-183XJ](#) [1812CS-](#)
[223XJ](#) [1812LS-104XJ](#) [1812LS-105XJ](#) [1812LS-124XJ](#) [1812LS-154XJ](#) [1812LS-223XJ](#) [1812LS-224XJ](#) [1812LS-563XJ](#) [1812LS-683XJ](#)
[1812LS-824XJ](#) [NIN-FB101JTR110F](#) [NIN-FB471JTR62F](#) [NIN-FC1R5JTR220F](#) [NIN-HCR15JTRF](#) [NIN-HCR33JTRF](#) [NIN-HDR22JTRF](#)