

## ■ Features

- High current type.
- Ferrite bobbin core and compact size.
- Low core loss for high frequency power application.
- Large terminal surface for good PCB bonding.
- Operating temperature:  $-40^{\circ}\text{C} \sim +125^{\circ}\text{C}$ .

## ■ Applications

- Portable communication equipment.
- Notebook PC, digital camera, LCD television set.
- Power supply for VTR, OA equipment.
- DC/DC converters.

## ■ Product Identification

$\frac{\text{XRRH}}{(1)} \quad \frac{\square\square\square\square}{(2)} - \frac{\square\square\square}{(3)} \quad \frac{\text{M}}{(4)}$

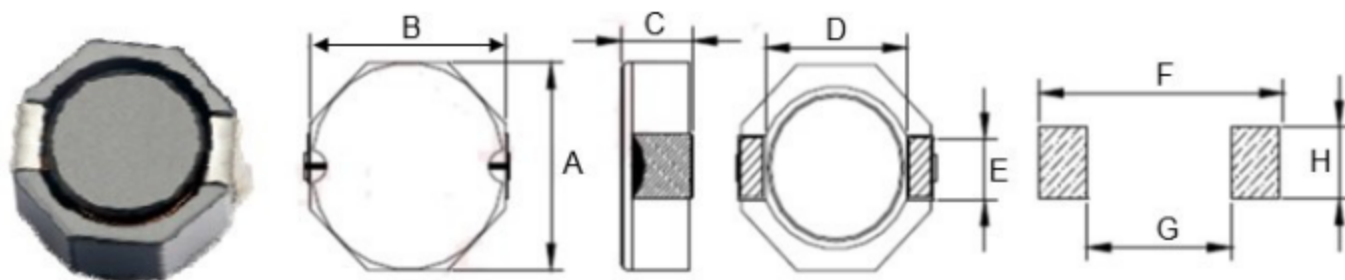
(1) : Type

(2) : Dimensions

(3) : Inductance value

(4) : Inductance Tolerance; M= $\pm 20\%$

## ■ Shapes and Dimensions (Unit: mm)



| TYPE     | A             | B             | C max. | D   | E   | F Ref. | G Ref. | H Ref. |
|----------|---------------|---------------|--------|-----|-----|--------|--------|--------|
| XRRH8D43 | $8.0 \pm 0.3$ | $8.0 \pm 0.3$ | 4.5    | 6.3 | 2.5 | 10.1   | 6.1    | 2.8    |

### XRRH8D43 Series-Power Inductors

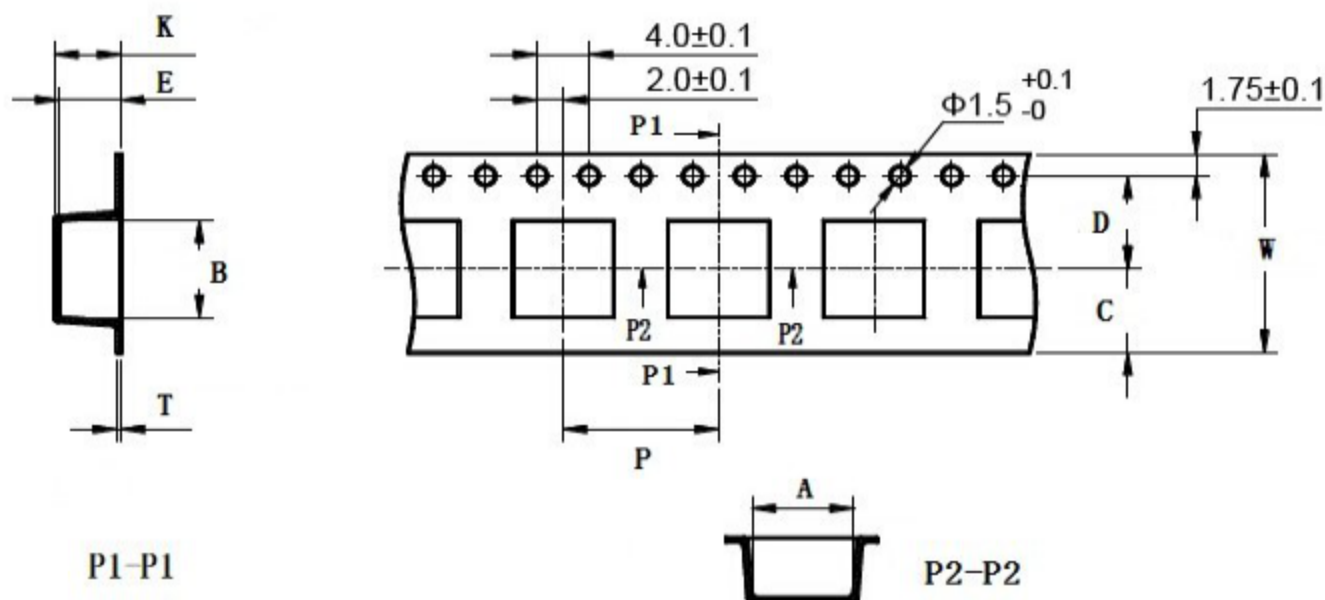
| Part Number   | Inductance<br>(uH) | Test Freq.<br>(KHz) | DCR MAX.<br>(Ω) | Saturation<br>Current (A) | Heat Rating<br>Current (A) |
|---------------|--------------------|---------------------|-----------------|---------------------------|----------------------------|
| XRRH8D43-1R0M | 1.0                | 100                 | 0.010           | 8.50                      | 6.60                       |
| XRRH8D43-1R2M | 1.2                | 100                 | 0.013           | 8.00                      | 6.20                       |
| XRRH8D43-2R2M | 2.2                | 100                 | 0.014           | 7.00                      | 5.50                       |
| XRRH8D43-3R9M | 3.9                | 100                 | 0.019           | 5.90                      | 4.50                       |
| XRRH8D43-4R7M | 4.7                | 100                 | 0.022           | 5.60                      | 4.10                       |
| XRRH8D43-6R8M | 6.8                | 100                 | 0.025           | 4.40                      | 3.90                       |
| XRRH8D43-100M | 10.0               | 100                 | 0.036           | 4.00                      | 3.20                       |
| XRRH8D43-150M | 15.0               | 100                 | 0.053           | 2.90                      | 2.30                       |
| XRRH8D43-220M | 22.0               | 100                 | 0.075           | 2.60                      | 1.80                       |
| XRRH8D43-330M | 33.0               | 100                 | 0.125           | 2.20                      | 1.40                       |
| XRRH8D43-470M | 47.0               | 100                 | 0.150           | 1.80                      | 1.30                       |
| XRRH8D43-680M | 68.0               | 100                 | 0.240           | 1.50                      | 1.00                       |
| XRRH8D43-101M | 100                | 100                 | 0.360           | 1.30                      | 0.80                       |
| XRRH8D43-151M | 150                | 100                 | 0.460           | 1.10                      | 0.76                       |
| XRRH8D43-221M | 220                | 100                 | 0.861           | 0.90                      | 0.60                       |
| XRRH8D43-331M | 330                | 100                 | 1.068           | 0.65                      | 0.48                       |

※ The saturation current value is the DC current value having inductance decrease down to 30%. (at 20°C)

※ The temperature rise current value is the DC current value having temperature increase up to 40°C. (at 20°C)

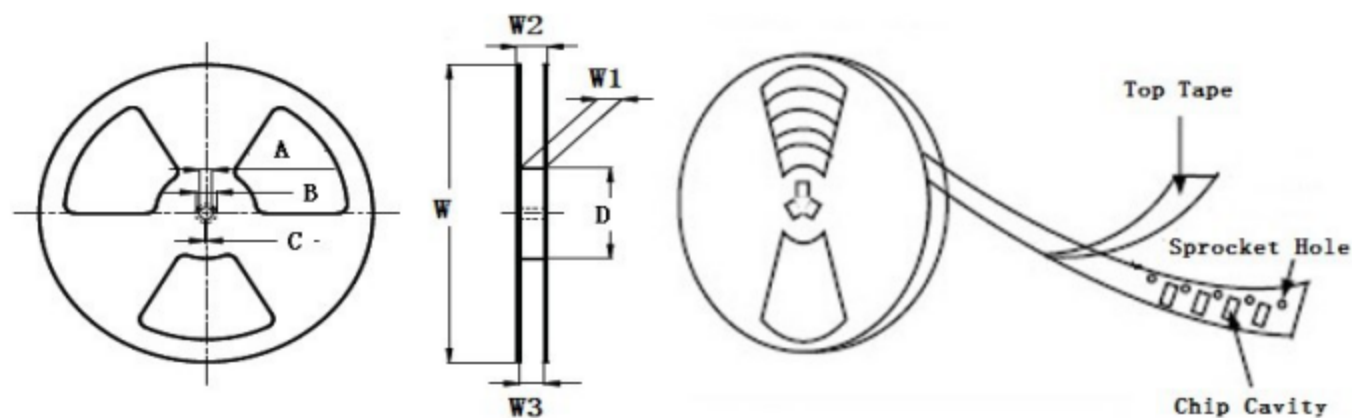
※ The rated current is the DC current value that satisfies both of current value saturation current value and temperature rise current value.

#### ■ Taping Dimensions(Unit:mm)



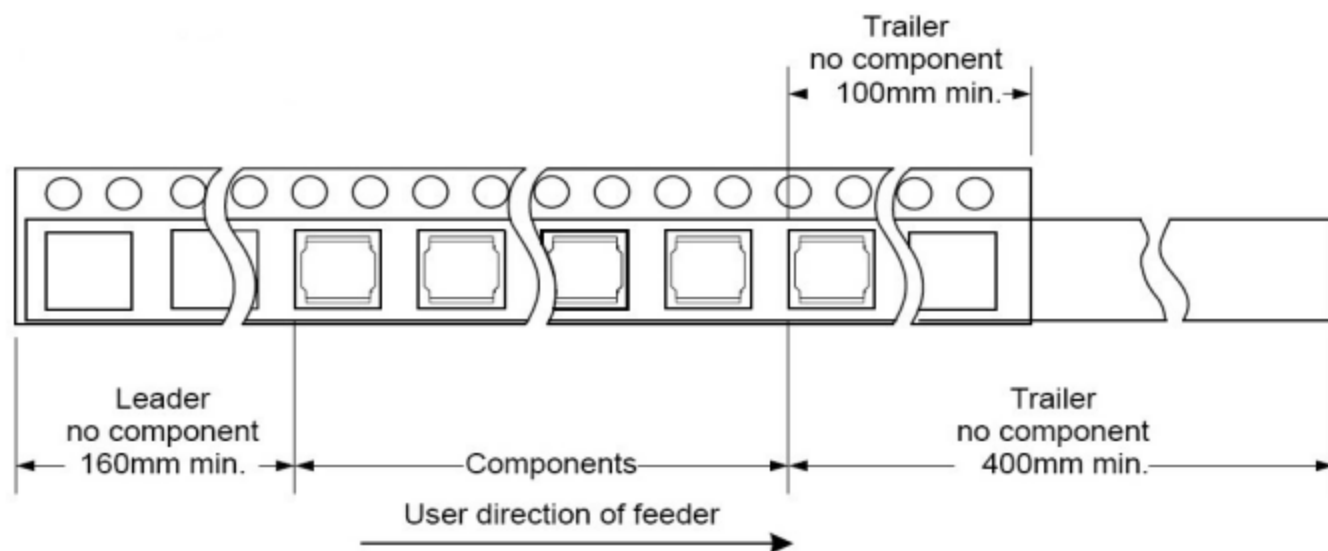
| TYPE     | W      | A        | B        | C    | D       | E        | P      | K Ref | T         | MPQ  |
|----------|--------|----------|----------|------|---------|----------|--------|-------|-----------|------|
| XRRH8D43 | 16±0.3 | 8.15±0.1 | 9.90±0.1 | 6.75 | 7.5±0.1 | 4.60±0.1 | 12±0.1 | 4.8   | 0.40±0.05 | 1000 |

#### ■ Reel Dimensions(Unit:mm)

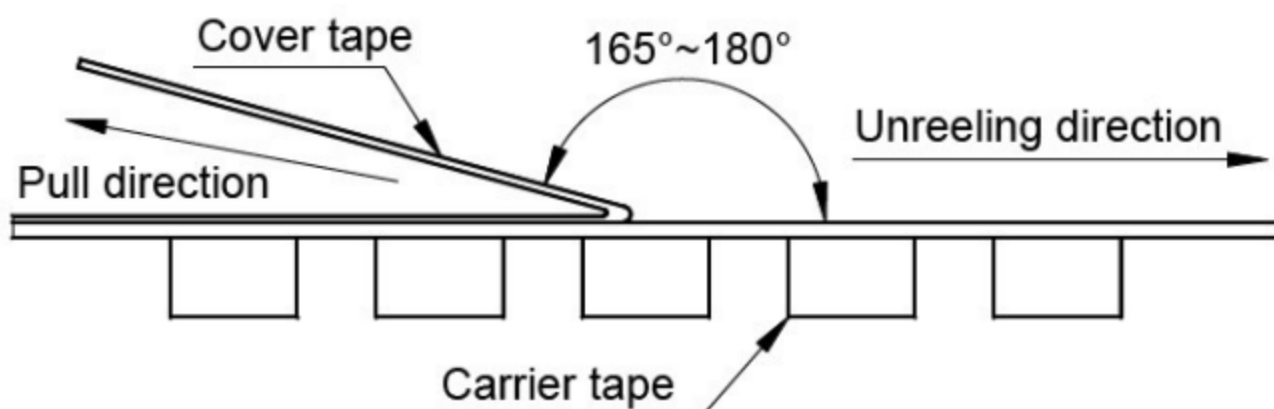


| TYPE     | W       | W1       | W2       | W3       | A         | B         | C        | D       |
|----------|---------|----------|----------|----------|-----------|-----------|----------|---------|
| XRRH8D43 | 330±2.0 | 16.4±2.0 | 22.4 Max | 15.9 Min | 13.0±0.50 | 21.0±0.80 | 2.0±0.50 | 100 Min |

## Direction of rolling



## Cover tape peel off condition



Cover tape peel force shall be 0.1N to 1.3N.

Reference peel speed  $300 \pm 10$  mm/min.

## X-ON Electronics

Largest Supplier of Electrical and Electronic Components

*Click to view similar products for [Fixed Inductors](#) category:*

*Click to view products by [MaxLinear](#) manufacturer:*

Other Similar products are found below :

[CR32NP-100KC](#) [CR54NP-470LC](#) [70F224AI](#) [MGDQ4-00004-P](#) [MHQ1005P10NJ](#) [MHQ1005P1N0S](#) [MHQ1005P2N4S](#) [MHQ1005P3N6S](#)  
[MHQ1005P5N1S](#) [MHQ1005P8N2J](#) [PE-53601NL](#) [PE-53602NL](#) [PG0936.113NLT](#) [9220-20](#) [9310-16](#) [PM06-2N7](#) [PM06-39NJ](#) [A01TK](#)  
[1206CS-471XJ](#) [HC2-R47-R](#) [HC8-1R2-R](#) [HCF1305-3R3-R](#) [1206CS-151XG](#) [RCH664NP-140L](#) [RCH664NP-4R7M](#) [RCP1317NP-391L](#)  
[RCR110DNP-331L](#) [DH2280-4R7M](#) [DS1608C-106](#) [B10TJ](#) [B82498B3101J000](#) [ELJ-RE27NJF2](#) [1812CS-153XJ](#) [1812CS-183XJ](#) [1812CS-](#)  
[223XJ](#) [1812LS-104XJ](#) [1812LS-105XJ](#) [1812LS-124XJ](#) [1812LS-154XJ](#) [1812LS-223XJ](#) [1812LS-224XJ](#) [1812LS-563XJ](#) [1812LS-683XJ](#)  
[1812LS-824XJ](#) [NIN-FB101JTR110F](#) [NIN-FB471JTR62F](#) [NIN-FC1R5JTR220F](#) [NIN-HCR15JTRF](#) [NIN-HCR33JTRF](#) [NIN-HDR22JTRF](#)