

■ Features

- High current type.
- Ferrite bobbin core and compact size.
- Low core loss for high frequency power application.
- Large terminal surface for good PCB bonding.
- Operating temperature: $-40^{\circ}\text{C} \sim +125^{\circ}\text{C}$.

■ Applications

- Portable communication equipment.
- Notebook PC, digital camera, LCD television set.
- Power supply for VTR, OA equipment.
- DC/DC converters.

■ Product Identification

$\frac{\text{XRRH}}{(1)} \quad \frac{\square\square\square\square}{(2)} - \frac{\square\square\square}{(3)} \quad \frac{\text{M}}{(4)}$

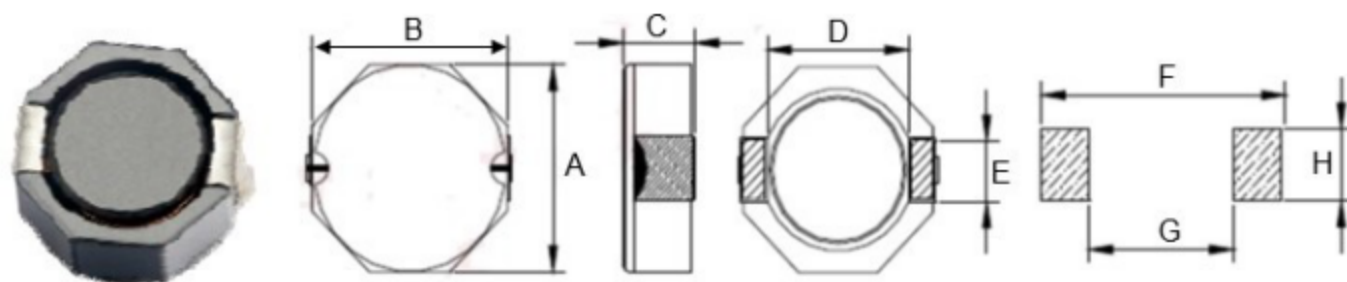
(1) : Type

(2) : Dimensions

(3) : Inductance value

(4) : Inductance Tolerance; M= $\pm 20\%$

■ Shapes and Dimensions (Unit: mm)



| TYPE | A | B | C max. | D | E | F Ref. | G Ref. | H Ref. |
|----------|---------|---------|--------|-----|-----|--------|--------|--------|
| XRRH8D43 | 8.0±0.3 | 8.0±0.3 | 4.5 | 6.3 | 2.5 | 10.1 | 6.1 | 2.8 |

XRRH8D43 Series-Power Inductors

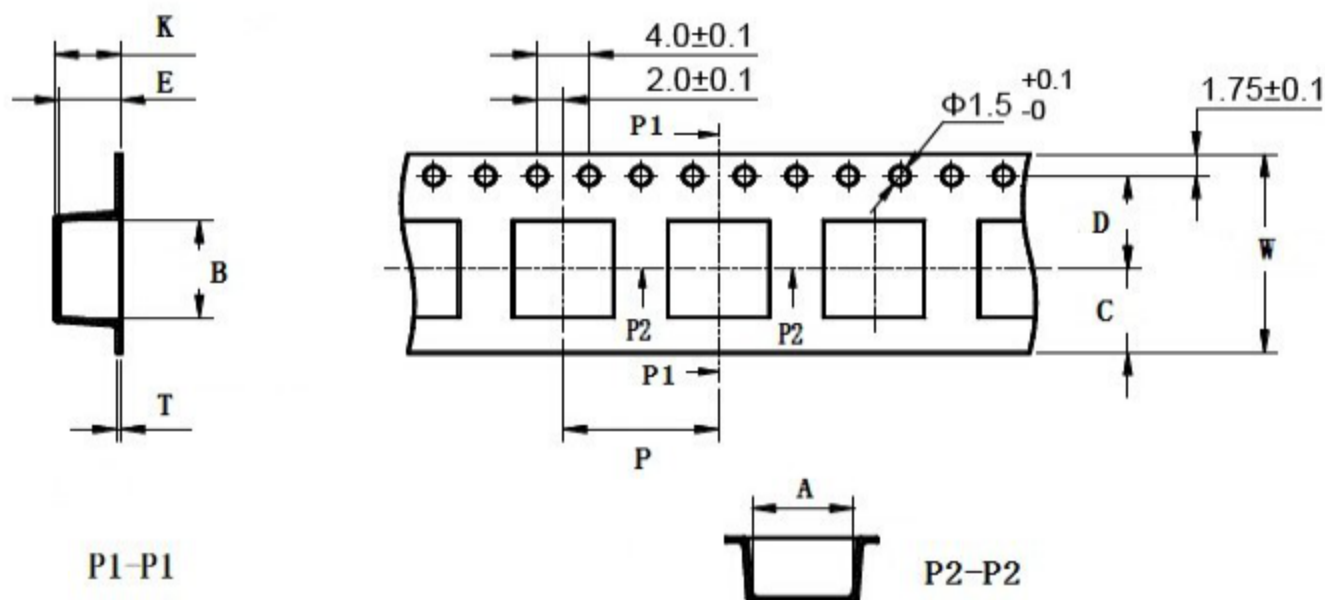
| Part Number | Inductance (μ H) | Test Freq. (KHz) | DCR MAX. (Ω) | Saturation Current (A) | Heat Rating Current (A) |
|---------------|--------------------------|---------------------|--------------------------|---------------------------|----------------------------|
| XRRH8D43-1R0M | 1.0 | 100 | 0.010 | 8.50 | 6.60 |
| XRRH8D43-1R2M | 1.2 | 100 | 0.013 | 8.00 | 6.20 |
| XRRH8D43-2R2M | 2.2 | 100 | 0.014 | 7.00 | 5.50 |
| XRRH8D43-3R9M | 3.9 | 100 | 0.019 | 5.90 | 4.50 |
| XRRH8D43-4R7M | 4.7 | 100 | 0.022 | 5.60 | 4.10 |
| XRRH8D43-6R8M | 6.8 | 100 | 0.025 | 4.40 | 3.90 |
| XRRH8D43-100M | 10.0 | 100 | 0.036 | 4.00 | 3.20 |
| XRRH8D43-150M | 15.0 | 100 | 0.053 | 2.90 | 2.30 |
| XRRH8D43-220M | 22.0 | 100 | 0.075 | 2.60 | 1.80 |
| XRRH8D43-330M | 33.0 | 100 | 0.125 | 2.20 | 1.40 |
| XRRH8D43-470M | 47.0 | 100 | 0.150 | 1.80 | 1.30 |
| XRRH8D43-680M | 68.0 | 100 | 0.240 | 1.50 | 1.00 |
| XRRH8D43-101M | 100 | 100 | 0.360 | 1.30 | 0.80 |
| XRRH8D43-151M | 150 | 100 | 0.460 | 1.10 | 0.76 |
| XRRH8D43-221M | 220 | 100 | 0.861 | 0.90 | 0.60 |
| XRRH8D43-331M | 330 | 100 | 1.068 | 0.65 | 0.48 |

※ The saturation current value is the DC current value having inductance decrease down to 30%. (at 20°C)

※ The temperature rise current value is the DC current value having temperature increase up to 40°C. (at 20°C)

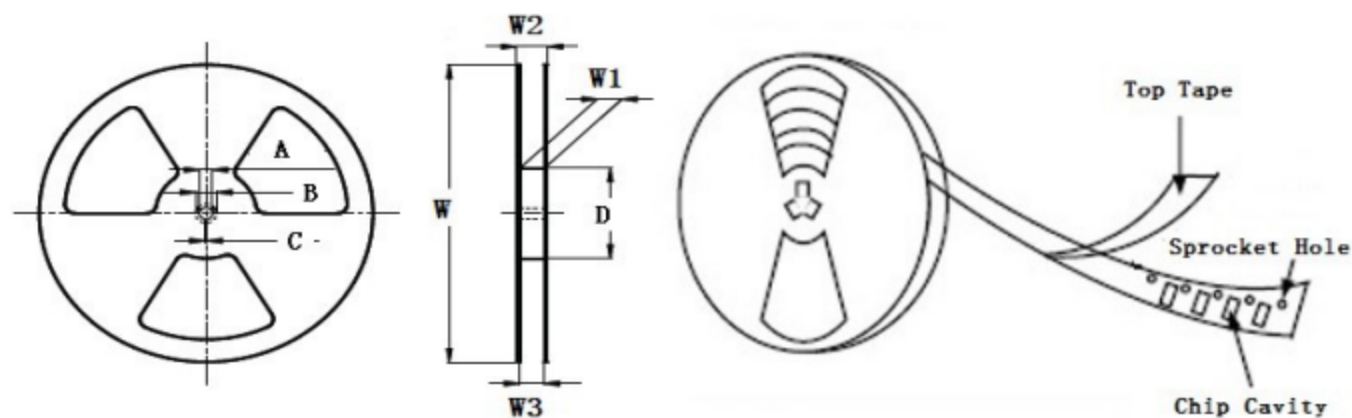
※ The rated current is the DC current value that satisfies both of current value saturation current value and temperature rise current value.

■ Taping Dimensions(Unit:mm)



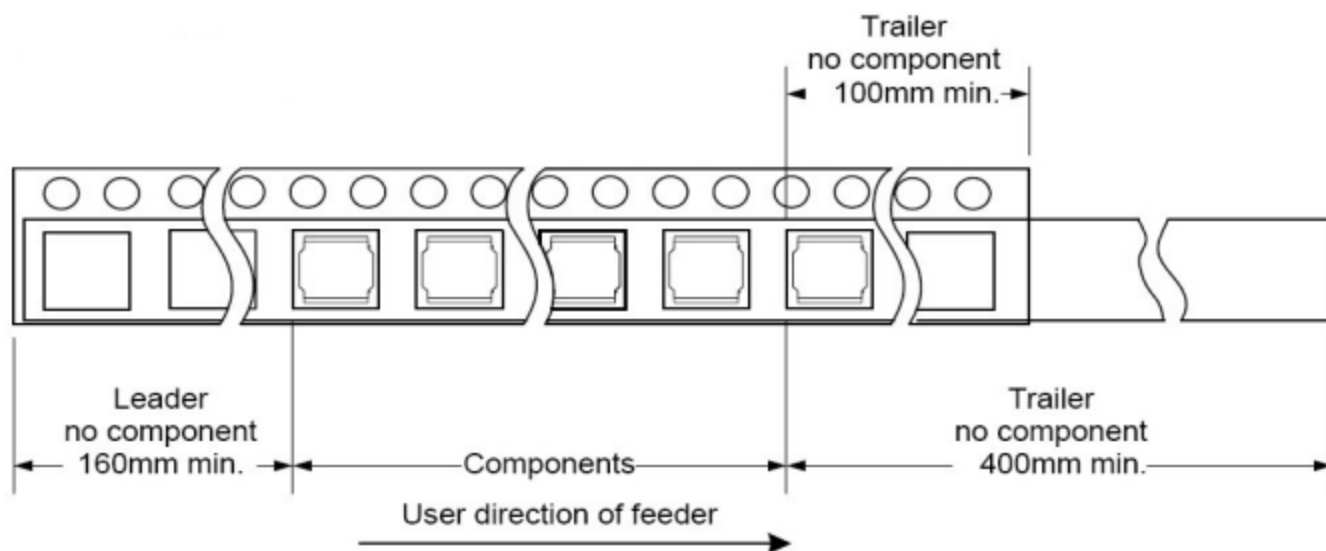
| TYPE | W | A | B | C | D | E | P | K Ref | T | MPQ |
|----------|--------|----------|----------|------|---------|----------|--------|-------|-----------|------|
| XRRH8D43 | 16±0.3 | 8.15±0.1 | 9.90±0.1 | 6.75 | 7.5±0.1 | 4.60±0.1 | 12±0.1 | 4.8 | 0.40±0.05 | 1000 |

■ Reel Dimensions(Unit:mm)

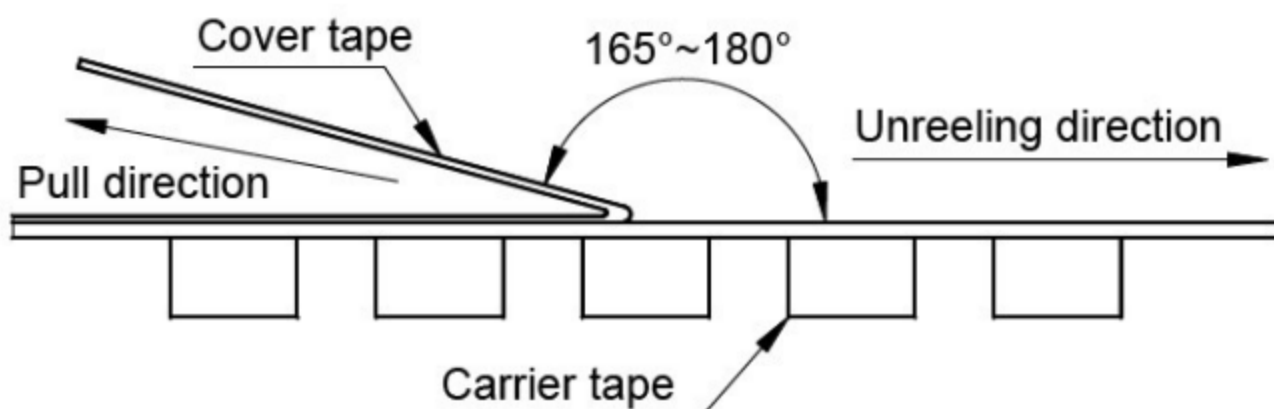


| TYPE | W | W1 | W2 | W3 | A | B | C | D |
|----------|---------|----------|----------|----------|-----------|-----------|----------|---------|
| XRRH8D43 | 330±2.0 | 16.4±2.0 | 22.4 Max | 15.9 Min | 13.0±0.50 | 21.0±0.80 | 2.0±0.50 | 100 Min |

Direction of rolling



Cover tape peel off condition



Cover tape peel force shall be 0.1N to 1.3N.

Reference peel speed 300 ± 10 mm/min.

X-ON Electronics

Largest Supplier of Electrical and Electronic Components

Click to view similar products for [Fixed Inductors](#) category:

Click to view products by [MaxLinear](#) manufacturer:

Other Similar products are found below :

[CR32NP-100KC](#) [CR54NP-470LC](#) [70F224AI](#) [MGDQ4-00004-P](#) [MHQ1005P10NJ](#) [MHQ1005P1N0S](#) [MHQ1005P2N4S](#) [MHQ1005P3N6S](#)
[MHQ1005P5N1S](#) [MHQ1005P8N2J](#) [PE-53601NL](#) [PE-53602NL](#) [PG0936.113NLT](#) [9220-20](#) [9310-16](#) [PM06-2N7](#) [PM06-39NJ](#) [A01TK](#)
[1206CS-471XJ](#) [HC2-R47-R](#) [HC8-1R2-R](#) [HCF1305-3R3-R](#) [1206CS-151XG](#) [RCH664NP-140L](#) [RCH664NP-4R7M](#) [RCP1317NP-391L](#)
[RCR110DNP-331L](#) [DH2280-4R7M](#) [DS1608C-106](#) [B10TJ](#) [B82498B3101J000](#) [ELJ-RE27NJF2](#) [1812CS-153XJ](#) [1812CS-183XJ](#) [1812CS-](#)
[223XJ](#) [1812LS-104XJ](#) [1812LS-105XJ](#) [1812LS-124XJ](#) [1812LS-154XJ](#) [1812LS-223XJ](#) [1812LS-224XJ](#) [1812LS-563XJ](#) [1812LS-683XJ](#)
[1812LS-824XJ](#) [NIN-FB101JTR110F](#) [NIN-FB471JTR62F](#) [NIN-FC1R5JTR220F](#) [NIN-HCR15JTRF](#) [NIN-HCR33JTRF](#) [NIN-HDR22JTRF](#)