



# 东莞市祥如电子有限公司

客户/CUSTOMER:

通用型 XRSQ1010 卧式

## 请承认书

*SPECIFICATION FOR APPROVAL*

产品名称/DESCRIPTION:	XRSQ 扁平线共模电感
客户型号/CUSTOMER MODEL:	XRSQ1010-10mH-H
客户编码/CUSTOMER CODING:	N/A
祥如型号/LUCKY TENDA MODEL:	XRSQ1010-10mH-H
版本/EDITION: A2	卧式 7*8
日期/DATE: 2019/07/22	

承制方确认/MANUFACTURER

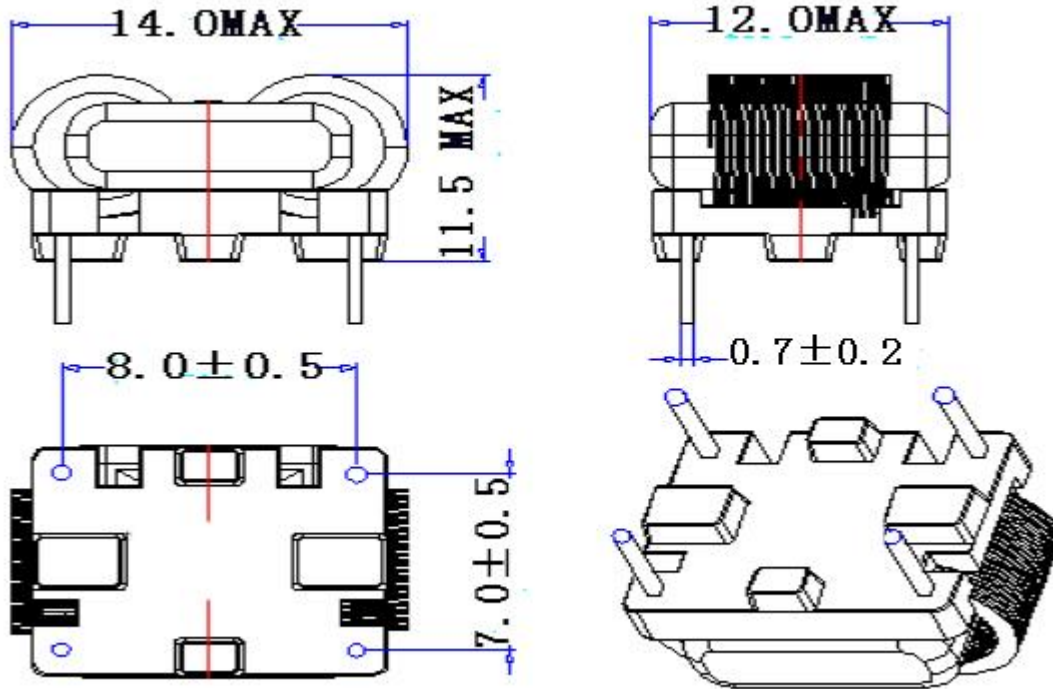
使用方确认/CUSTOMER APPROVED

拟制 DRAWING	审核 CHECKED	批准 RATIFY

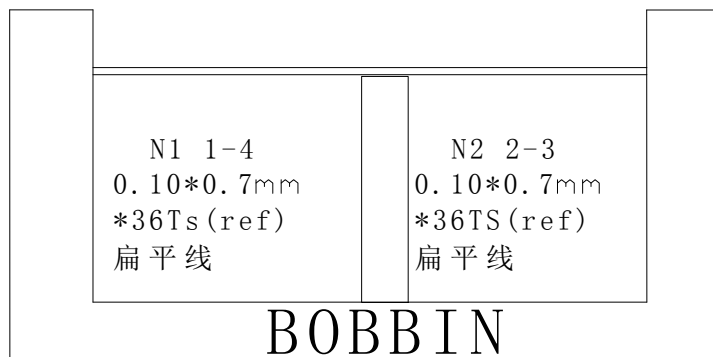
开发审核 R&D CHECKED	项目审核 ITEM CHECKED	工艺审核 TECHNOLOGY CHECKED	品质批准 QUALITY RATIFY

### 1. 安装尺寸及外形图/CONFIGURATION & DIMENSIONS UNIT:mm

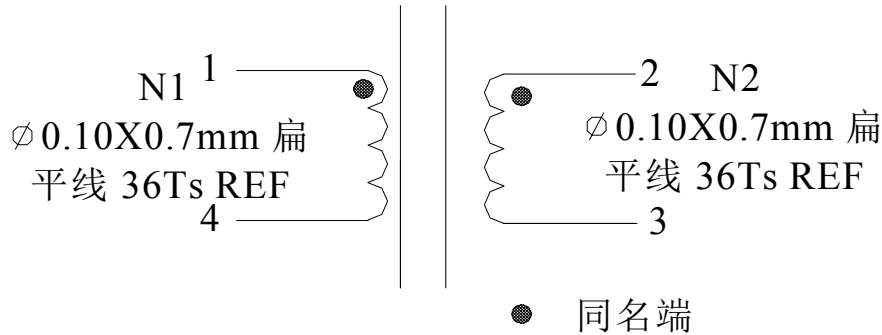
PCB板孔径 ≥ Φ1.2mm



### 2. 内部结构图/WINDING CONSTRUCTION



### 3. 线圈连线图/CONNECTION



### 4. 绕制工艺要求/MANUFACTURE SPECIFICATION

1. 底座(2+2),磁芯为XRSQ1010磁芯;卧式7\*8.
2. 绕制顺序为: N1同时绕制N2;
3. 产品需浸油,无铅制程;

### 5. 电气参数/ELECTRIC CHARACTER

序号 NO.	名称ITEMS	测量端 MEASURED POINT	测量值 TECHNICAL DATA	测试条件 TESTING CONDITION	测试仪器 APPARATUS
1	电感量 INDUCTANCE	$L_{1-4}=L_{2-3}$	10mH min	1KHz,0.25V 25°C	HP4284A 或内阻为 100Ω 测试仪
2	直流电阻 DC Resistance	$DCR_{1-4}=DCR_{2-3}$	200 mΩ MAX	1KHz,0.25V SER Short Other Pin	
3	抗电强度 HI-POT TEST	COIL 1 TO COIL 2	无击穿	1.5KVAc 5mA 3 SEC	CS9912BI
		PRIMARY - CORE		1.0KVAc 5mA 3 SEC	
4	匝比 TURNS RATIO	N1:N2	36 (REF) :36	1KHz,0.25V	CH3250

拟制/DRAWING:	审核/CHECKED:	批准/RATIFY:
-------------	-------------	------------

## 6.包装、外观和检验要求/PACKAGE SEMBLABLE AND TEST REQUIREMENT

### 6.1 包装(PACKING REQUIREMENT)

- ①包装箱上标明产品型号、名称、数量、生产周期，出厂日期、承制方名称及出厂检验章；最小包装数 PCS (TYPE ,PRODUCT NAME ,QTY,MANUFACTURE PERIOD ,SHIPPING DATE ,SUPPLIER NAME AND THE STAMP OF OUT-INSPECTION MUST BE STATED IN THE OUT PACKAGING.)
- ②不同生产周期的同一产品不得放入同一包装箱内； (THE SAME PRODUCT BUT DIFFERENT MANUFACTURE PERIOD NUMBER MUSTN'T BE PUT IN THE SAME CONTAINER)
- ③货物运达客户方后，包装箱封条应完好，箱体无破损、开裂等现象； (COMPLETE SEAL, NO BREAKAGE ON OUTER CONTAINER , NO CRACK IS REQUIRED WHEN THE CUSTOMER RECEIVED THE GOODS)
- ④开箱后，箱内包装材料无破损。产品应分层、间隔包装，不满一箱应加垫填充物。(THE PACKING MATERIALS CAN'T HAVE ANY BREAKAGE WHEN OPENING THE CONTAINER . THE PRODUCTS SHOULD BE PACKED IN LAYER AND SPACER . IF THERE ARE NO ENOUGH PRODUCTS TO A CONTAINER , FILLER WILL BE PUT IN )

### 6.2 外观(APPEARANCE REQUIREMENT)

- ①每件最小包装应有耐擦防水洗标签或印字，应注明生产周期、型号或规格； (THE LABEL OF WATERPROOF OR LETTERING SHOULD BE NEEDED ON EACH MINIMUM PACKING AND MANUFACTURE PERIOD ,TYPE OR SIZE SHOULD BE STATED)
- ②外观整洁。( KEEP THE APPEARANCE NEAT )

### 6.3 检验(CHECKING REQUIREMENT)

- ①产品生产时必须全数进行电气性能检测； (DURING PRODUCTION,ALL PRODUCTS MUST BE TESTED ELECTRIC CHACTER AND ELECTRICITY-RESISTANT INTENSITY )
- ②产品出货前按批次，必须根据承认书按国家行业标准进行抽样检验，合格后出具出厂检验报告，记录抽样测试数据。  
( BEFORE SHIPPING , THE PRODUCT MUST BE HAD A SAMPLING TEST ACCORDING TO ACKNOWLEDGMENT BY NATIONAL INDUSTRY STANDARD . TEST REPORT WILL BE SHOWED AND THE DATE OF TESTING WILL BE NOTED AFTER QUALIFIED . )

拟制/DRAWING:	审核/CHECKED:	批准/RATIFY:
-------------	-------------	------------

## 7. 材料清单/MATERIAL LIST

### LIST1

ITEM	TYPE	MATERIAL	SPEC		MANUFACTURE	UL NO.
			℃	UL94		
WIRE	Φ0.1*0.7mm	1UEW	180	N/A	Guangdong liziwire Electric Technology Co LXRSQ	E504985
					YOU TUO ENTERPRISE CO.,LXRSQ	E338133
Varnish	1032XXX				Shen zhennoble flower technology industrial co LXRSQ	E213437

### LIST 2

ITEM	TYPE	PRODUCT MANUFACTURE	MATERIAL	SPEC		MATERIAL MANUFACTURE	UL NO.	ROHS
				℃	UL94			
BOBBIN	XRSQ10底座	MEIRISHENG ELECTRONICS CO; LXRSQ	T375HF	150	V-0	CHANG CHUN PLASTICS CO LXRSQ	E59481	Y

### LIST 3

ITEM	TYPE	MATERIAL	SPEC		MANUFACTURE
			℃	UL94	
CORE	XRSQ10	R12K	N/A	N/A	ShanDongHengRui Magent technolgy co.,LXRSQ
		R12K OR EQUIVALENT			ACME Electronics(guangzhou) Co.,LXRSQ
					JIU XIN

4. 存储条件: 温度-10~40℃ 相对湿度: 30~70%,

禁止将产品保管在腐蚀性物质中,如硫磺,氯气或酸,否则将引起端头氧化,导致降低焊接性. 为了避免受潮气,灰尘等物质的影响,产品应保管于货架上. 产品保管在库房中,应避免热冲击,振动以及直接光照等.

### 更改说明/REJIGGER EXPLAIN:

序号 SERIAL	更改地方 REJIGGER PLACE	更改原因 REJIGGER CAUSATION	责任归属 RESPONSIBILITY BELONG TO	更改收益 REJIGGER INCOME

## 检 验 报 告

MEAS. ITEM		L(1-4) mH	L(2-3) mH	DCR(1-4) mΩ	DCR(2-3) mΩ	LK1-4 短路 L(2-3)	
SPEC.	YOUR						
	SUGGEST	10 min	10min	200MAX	200MAX	漏感	
TEST FREQ.		1KHz/0.25V	1KHz/0.25V	内阻 100Ω	内阻 100Ω	1KHZ/0.25V	
	1	18.4	18.4	163	163	38uH	
	2	19.9	19.9	164	164	39uH	
	3	14.9	14.9	163	163	40uH	
	4	17.4	17.4	163	163	40uH	
	5	15.6	15.6	163	163	39uH	
	6	14.8	14.8	163	163	40uH	
	7	15.2	15.2	163	163	38uH	
	8	15.2	15.2	164	164	38uH	
YOUR SAMPLE							

TEST CONDITION:                      TEMP.:    25°C (REF.)                      R.H.:    60% (REF.)

REMARK: HI-POT TEST OK

拟制/DRAWING:	审核/CHECKED:	批准/RATIFY:
-------------	-------------	------------

## X-ON Electronics

Largest Supplier of Electrical and Electronic Components

*Click to view similar products for [Common Mode Chokes / Filters](#) category:*

*Click to view products by [MaxLinear](#) manufacturer:*

Other Similar products are found below :

[PE-64683](#) [ST6118T-R](#) [FE3X025-10-7NL](#) [T8114NLT](#) [TCM0806G-350-2P-T](#) [TCM0806G-650-2P-T](#) [IND-0110](#) [UAL21VR0802000](#)  
[UALSC023000000](#) [UALSC1020JH000](#) [UALSU10VD20010](#) [UALSU9VD070100](#) [36-00037](#) [CM7060M132R-10](#) [UALW21HS072450](#)  
[UALSU9H0208000](#) [UAL24VK06450CH](#) [PLT10HH501100PNB](#) [PLT10HH401100PNB](#) [PLT10HH1026R0PNB](#) [36-00029-01](#) [PE-67531](#)  
[TLH10UB](#) [113 0R5](#) [2752045447](#) [CM8663Z161B-10](#) [7351V](#) [CMF16-153131](#) [T8116NLT](#) [CMS2-10-R](#) [FE2X10-4-2NL](#) [T8003NLT](#) [CTX01-](#)  
[13663](#) [CTX66-19521-R](#) [RC212-0.5-10M](#) [RC112-0.4-15M](#) [RC212-0.6-6M8](#) [RC212-0.4-15M](#) [RC112-0.3-30M](#) [4534-3](#)  
[WTCF2012Z0M751PB](#) [PH9408.814NLT](#) [B82498B3221J000](#) [PAC6006.364NLT](#) [PAC6006.444NLT](#) [PAC6006.204NLT](#) [PH9407.204NLT](#)  
[PAC6006.264NLT](#) [PH9408.105NLT](#) [PH9408.494NLT](#) [PAC6006.104NLT](#)