



东莞市祥如电子有限公司

客户/CUSTOMER: 通用型 XRSQ1010 立式

客户代码/CUSTOMER CODE: T

承认书

SPECIFICATION FOR APPROVAL

产品名称/DESCRIPTION: XRSQ 扁平线共模电感
 客户型号/CUSTOMER MODEL: XRSQ1010-10mH-V
 客户编码/CUSTOMER CODING: N/A
 祥如型号/LUCKY TENDA MODEL: XRSQ1010-10mH-V
 版本/EDITION: A2
 立式: 5.8*7
 日期/DATE: 2019/07/22

承制方确认/MANUFACTURER

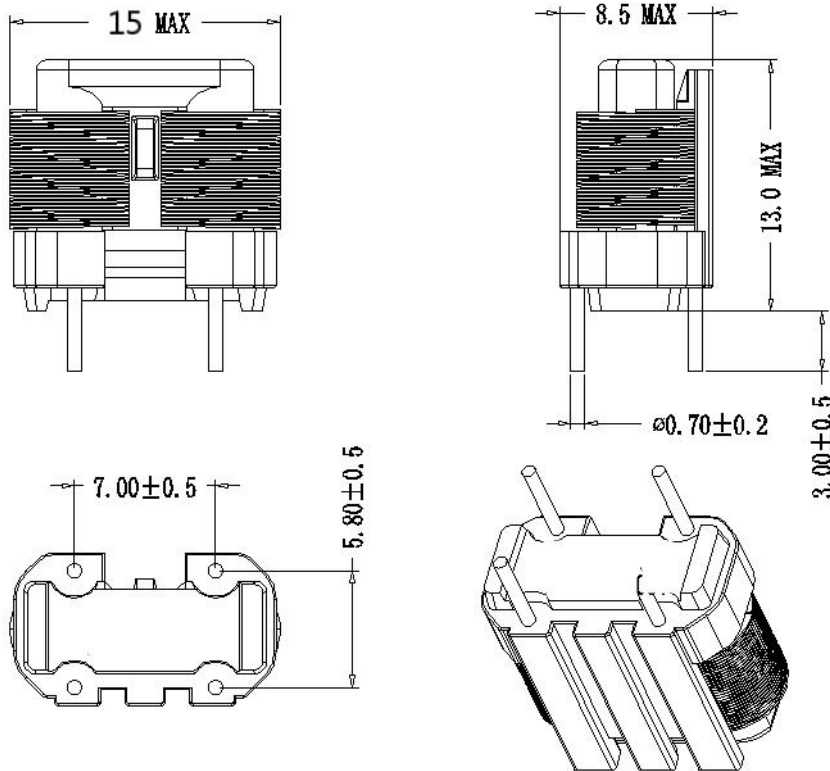
| 拟制 DRAWING | 审核 CHECKED | 批准 RATIFY |
|---------------|---------------|--------------|
| | | |

使用方确认/CUSTOMER APPROVED

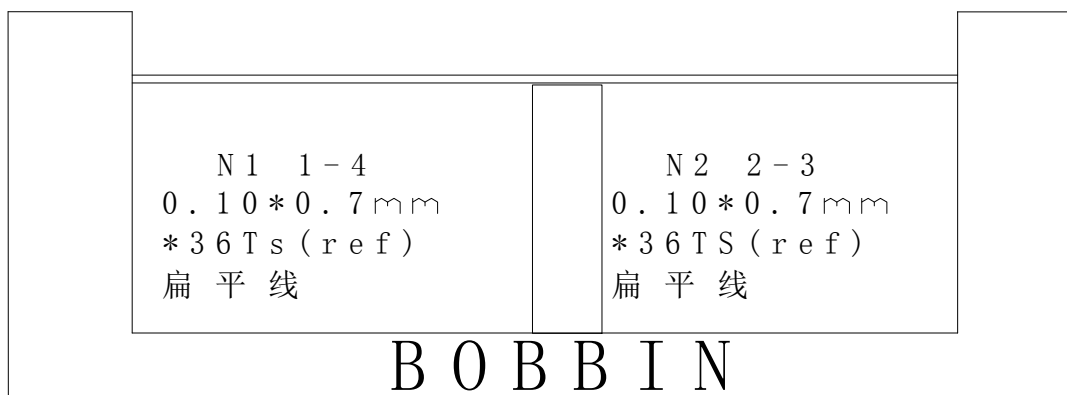
| 开发审核 R&D CHECKED | 项目审核 ITEM CHECKED | 工艺审核 TECHNOLOGYC HECKED | 品质批准 QUALITY RATIFY |
|------------------------|-------------------------|-------------------------------|---------------------------|
| | | | |

1. 安装尺寸及 外形图 /CONFIGURATION & DIMENSIONS UNIT:mm

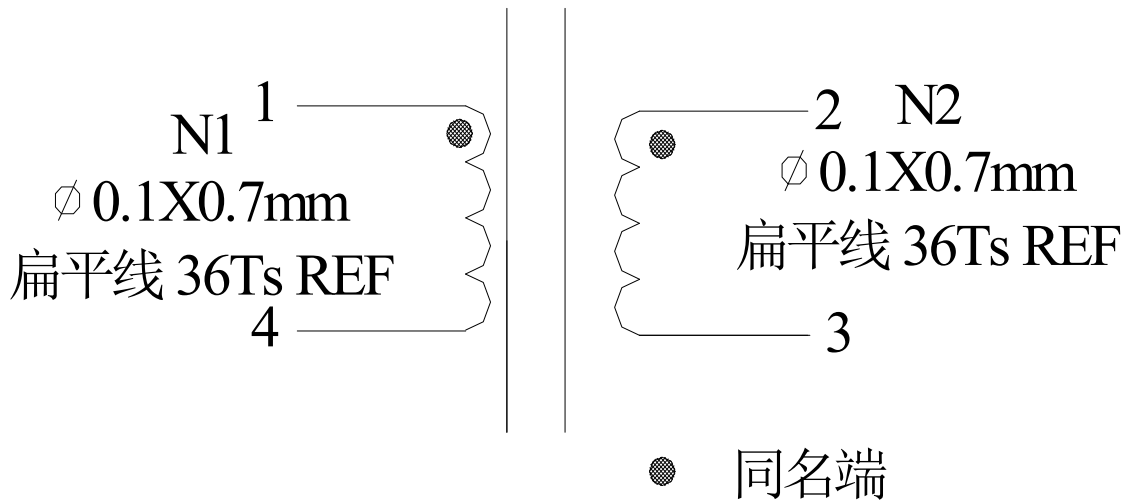
PCB板孔径 ≥ Φ1.2mm



2. 内部结构图/WINDING CONSTRUCTION



3. 线圈连线图/CONNECTION



4. 绕制工艺要求/MANUFACTURE SPECIFICATION

1. 底座 (2+2), 磁芯为XRSQ1010磁芯;
2. 绕制顺序为: N1同时绕制N2;
3. 产品需浸油, 无铅制程;

5. 电气参数/ELECTRIC CHARACTER

| 序号 NO. | 名称ITEMS | 测量端 MEASURED POINT | 测量值 TECHNICAL DATA | 测试条件 TESTING CONDITION | 测试仪器 APPARATUS |
|-----------|--------------------------|-----------------------|--------------------------|------------------------------------|--------------------------|
| 1 | 电感量 INDUCTANCE | $L_{1-4}=L_{2-3}$ | 10mH min | 1KHz, 0.25V 25°C | HP4284A 或内阻为 100Ω 测试仪 |
| 2 | 直流电阻 DC Resistance | $DCR_{1-4}=DCR_{2-3}$ | 200 mΩ MAX | 1KHz, 0.25V SER Short Other Pin | |
| 3 | 抗电强度 HI-POT TEST | COIL 1 TO COIL 2 | 无击穿 | 1.5KVAc 5mA 3 SEC | CS9912BI |
| | | PRIMARY - CORE | | 1.0KVAc 5mA 3 SEC | |
| 4 | 匝比 TURNS RATIO | N1:N2 | 36 (REF) :36 | 1KHz, 0.25V | CH3250 |

| | | |
|-------------|-------------|------------|
| 拟制/DRAWING: | 审核/CHECKED: | 批准/RATIFY: |
|-------------|-------------|------------|

6.包装、外观和检验要求/PACKAGE SEMBLABLE AND TEST REQUIREMENT

6.1 包装(PACKING REQUIREMENT)

①包装箱上标明产品型号、名称、数量、生产周期，出厂日期、承制方名称及出厂检验章；最小包装 PCS (TYPE ,PRODUCT NAME ,QTY,MANUFACTURE PERIOD ,SHIPPING DATE ,SUPPLIER NAME AND THE STAMP OF OUT-INSPECTION MUST BE STATED IN THE OUT PACKAGING.)

②不同生产周期的同一产品不得放入同一包装箱内； (THE SAME PRODUCT BUT DIFFERENT MANUFACTURE PERIOD NUMBER MUSTN'T BE PUT IN THE SAME CONTAINER)

③货物运达客户方后，包装箱封条应完好，箱体无破损、开裂等现象； (COMPLETE SEAL, NO BREAKAGE ON OUTER CONTAINER , NO CRACK IS REQUIRED WHEN THE CUSTOMER RECEIVED THE GOODS)

④开箱后，箱内包装材料无破损。产品应分层、间隔包装，不满一箱应加垫填充物。(THE PACKING MATERIALS CAN'T HAVE ANY BREAKAGE WHEN OPENING THE CONTAINER . THE PRODUCTS SHOULD BE PACKED IN LAYER AND SPACER . IF THERE ARE NO ENOUGH PRODUCTS TO A CONTAINER , FILLER WILL BE PUT IN)

6.2 外观(APPEARANCE REQUIREMENT)

①每件最小包装应有耐擦防水洗标签或印字，应注明生产周期、型号或规格； (THE LABEL OF WATERPROOF OR LETTERING SHOULD BE NEEDED ON EACH MINIMUM PACKING AND MANUFACTURE PERIOD ,TYPE OR SIZE SHOULD BE STATED)

②外观整洁。(KEEP THE APPEARANCE NEAT)

6.3 检验(CHECKING REQUIREMENT)

①产品生产时必须全数进行电气性能检测； (DURING PRODUCTION,ALL PRODUCTS MUST BE TESTED ELECTRIC CHACTER AND ELECTRICITY-RESISTANT INTENSITY)

②产品出货前按批次，必须根据承认书按国家行业标准进行抽样检验，合格后出具出厂检验报告，记录抽样测试数据。

(BEFORE SHIPPING , THE PRODUCT MUST BE HAD A SAMPLING TEST ACCORDING TO ACKNOWLEDGMENT BY NATIONAL INDUSTRY STANDARD . TEST REPORT WILL BE SHOWED AND THE DATE OF TESTING WILL BE NOTED AFTER QUALIFIED .)

| | | |
|-------------|-------------|------------|
| 拟制/DRAWING: | 审核/CHECKED: | 批准/RATIFY: |
|-------------|-------------|------------|

7. 材料清单/MATERIAL LIST

LIST1

| ITEM | TYPE | MATERIAL | SPEC | | MANUFACTURE | UL NO. |
|---------|-------------|----------|------|------|--|----------|
| | | | ℃ | UL94 | | |
| WIRE | Φ0.10*0.7mm | 1UEW | 180 | N/A | Guangdong liziwire Electric Technology Co LXRSQ | E504985 |
| | | | | | YOU TUO ENTERPRISE CO.,LXRSQ | E338133 |
| Varnish | 1032XXX | | | | Shen zhen noble flower technology industrial co LXRSQ | E4213437 |
| | | | | | | |

LIST 2

| ITEM | TYPE | PRODUCT MANUFACTURE | MATERIAL | SPEC | | MATERIAL MANUFACTURE | UL NO. | ROHS |
|--------|----------|--|----------|------|------|---------------------------------|--------|------|
| | | | | ℃ | UL94 | | | |
| BOBBIN | XRSQ10底座 | MEIRISHENG ELECTRONICS CO; LXRSQ | T375HF | 150 | V-0 | CHANG CHUN PLASTICS CO LXRSQ | E59481 | Y |
| | | | | | | | | |

LIST 3

| ITEM | TYPE | MATERIAL | SPEC | | MANUFACTURE |
|------|--------|-----------------------|------|------|--|
| | | | ℃ | UL94 | |
| CORE | XRSQ10 | R12K | N/A | N/A | ShanDongHengRui Magent technolgy co.,LXRSQ |
| | | R12K OR EQUIVALENT | | | ACME Electronics(guangzhou) Co.,LXRSQ |

4. 存储条件: 温度-10~40℃ 相对湿度: 30~70%,

禁止将产品保管在腐蚀性物质中,如硫磺,氯气或酸,否则将引起端头氧气,导致降低焊接性.
为了避免受潮气,灰尘等物质的影响,产品应保管于货架上.

产品保管在库房中,应避免热冲击,振动以及直接光照等.

更改说明/REJIGGER EXPLAIN:

| 序号 SERIAL | 更改地方 REJIGGER PLACE | 更改原因 REJIGGER CAUSATION | 责任归属 RESPONSIBILITY BELONG TO | 更改收益 REJIGGER INCOME |
|--------------|---------------------------|-------------------------------|-------------------------------------|----------------------------|
| | | | | |
| | | | | |
| | | | | |

客户/CUSTOMER: T
 承制方/MANUFACTURER: 祥如电子

型号/MODEL: XRSQ1010-10mH
 版本/EDITION: A2 第 6 页 共 6 页

检 验 报 告

| MEAS. ITEM | | L(1-4) mH | L(2-3) mH | DCR(1-4) mΩ | DCR(2-3) mΩ | Lk1-4 短路 L(2-3) | |
|---|---------|--------------|--------------|----------------|----------------|--------------------|--|
| SPEC. | YOUR | | | | | | |
| | SUGGEST | 10 min | 10min | 200MAX | 200MAX | 漏感 | |
| TEST FREQ. | | 1KHz/0.25V | 1KHz/0.25V | 内阻 100Ω | 内阻 100Ω | 1KHZ/0.25V | |
| 1 | | 18.4 | 18.4 | 163 | 163 | 38uH | |
| 2 | | 19.9 | 19.9 | 164 | 164 | 39uH | |
| 3 | | 14.9 | 14.9 | 163 | 163 | 40uH | |
| 4 | | 17.4 | 17.4 | 163 | 163 | 40uH | |
| 5 | | 15.6 | 15.6 | 163 | 163 | 39uH | |
| 6 | | 14.8 | 14.8 | 163 | 163 | 40uH | |
| — 7 | | 15.2 | 15.2 | 163 | 163 | 38uH | |
| 8 | | 15.2 | 15.2 | 164 | 164 | 38uH | |
| YOUR SAMPLE | | | | | | | |
| TEST CONDITION: TEMP.: 25°C (REF.) R.H.: 60% (REF.) | | | | | | | |
| REMARK: HI-POT TEST OK | | | | | | | |
| | | | | | | | |

| | | |
|-------------|-------------|------------|
| 拟制/DRAWING: | 审核/CHECKED: | 批准/RATIFY: |
|-------------|-------------|------------|

X-ON Electronics

Largest Supplier of Electrical and Electronic Components

Click to view similar products for [Common Mode Chokes / Filters](#) category:

Click to view products by [MaxLinear](#) manufacturer:

Other Similar products are found below :

[PE-64683](#) [ST6118T-R](#) [FE3X025-10-7NL](#) [T8114NLT](#) [TCM0806G-350-2P-T](#) [TCM0806G-650-2P-T](#) [IND-0110](#) [UAL21VR0802000](#)
[UALSC023000000](#) [UALSC1020JH000](#) [UALSU10VD20010](#) [UALSU9VD070100](#) [36-00037](#) [CM7060M132R-10](#) [UALW21HS072450](#)
[UALSU9H0208000](#) [UAL24VK06450CH](#) [PLT10HH501100PNB](#) [PLT10HH401100PNB](#) [PLT10HH1026R0PNB](#) [36-00029-01](#) [PE-67531](#)
[TLH10UB](#) [113 0R5](#) [2752045447](#) [CM8663Z161B-10](#) [7351V](#) [CMF16-153131](#) [T8116NLT](#) [CMS2-10-R](#) [FE2X10-4-2NL](#) [T8003NLT](#) [CTX01-](#)
[13663](#) [CTX66-19521-R](#) [RC212-0.5-10M](#) [RC112-0.4-15M](#) [RC212-0.6-6M8](#) [RC212-0.4-15M](#) [RC112-0.3-30M](#) [4534-3](#)
[WTCF2012Z0M751PB](#) [PH9408.814NLT](#) [B82498B3221J000](#) [PAC6006.364NLT](#) [PAC6006.444NLT](#) [PAC6006.204NLT](#) [PH9407.204NLT](#)
[PAC6006.264NLT](#) [PH9408.105NLT](#) [PH9408.494NLT](#) [PAC6006.104NLT](#)