



# 东莞市祥如电子有限公司

客户/CUSTOMER: 通用型 XRSQ1212 卧式

客户代码/CUSTOMER CODE:

## 承认书

*SPECIFICATION FOR APPROVAL*

产品名称/DESCRIPTION: XRSQ 扁平线共模电感

客户型号/CUSTOMER MODEL: XRSQ1212-8mH-H

客户编码/CUSTOMER CODING: N/A

祥如型号/LUCKY TENDA MODEL: XRSQ1212-8mH-H

版本/EDITION: A2 卧式: 10\*13

日期/DATE: 2019/07/22

承制方确认/MANUFACTURER

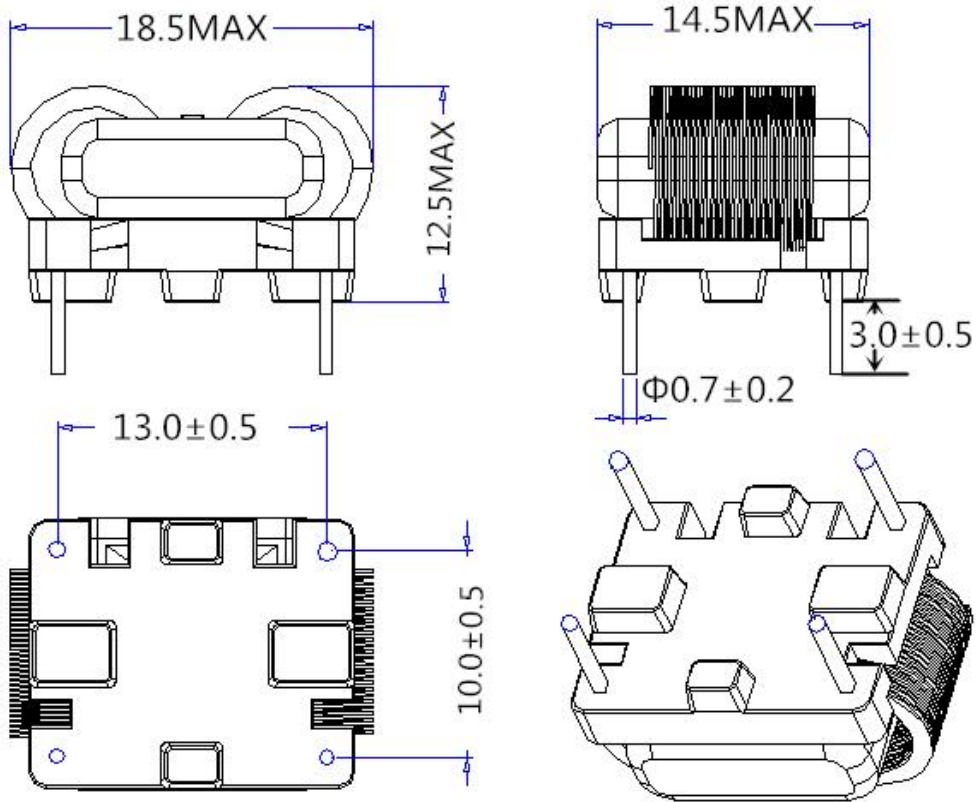
使用方确认/CUSTOMER APPROVED

拟制 DRAWING	审核 CHECKED	批准 RATIFY

开发审核 R&D CHECKED	项目审核 ITEM CHECKED	工艺审核 TECHNOLOGY CHECKED	品质批准 QUALITY RATIFY

1. 安装尺寸及外形图/CONFIGURATION & DIMENSIONS UNIT:mm

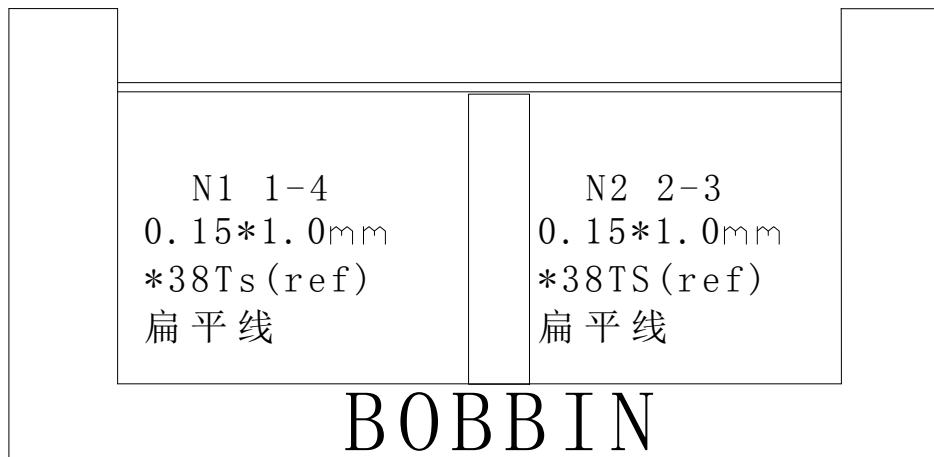
PCB板孔径 ≥ Φ 1.2mm



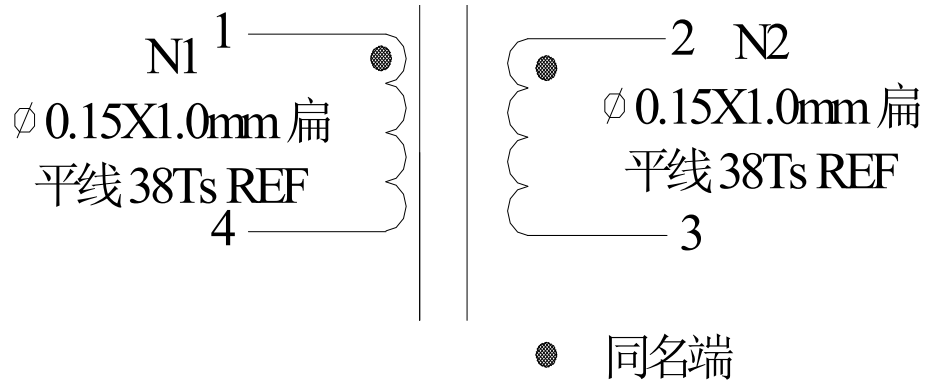
丝印说明：底部丝印标识为产品骨架标识，底部有三种丝印方式参考如下：

- 1: XRSQ XX (XRSQ 为产品骨架型号, XX 标示模具号)
- 2: XRSQ-1212 AA (XRSQ-1212 为产品骨架型号, AA 标示模具号)
- 3: 无编码 (底部无印字)

2. 内部结构图/WINDING CONSTRUCTION



### 3. 线圈连线图/CONNECTION



### 4. 绕制工艺要求/MANUFACTURE SPECIFICATION

1. 底座 (2+2), 磁芯为XRSQ1212磁芯;
2. 绕制顺序为: N1同时绕制N2;
3. 产品需浸油, 无铅制程;

### 5. 电气参数/ELECTRIC CHARACTER

序号 NO.	名称ITEMS	测量端 MEASURED POINT	测量值 TECHNICAL DATA	测试条件 TESTING CONDITION	测试仪器 APPARATUS
1	电感量 INDUCTANCE	L <sub>1-4</sub> =L <sub>2-3</sub>	8mH min	1KHz, 0.25V 25°C	HP4284A 或内阻为 100Ω 测试仪
2	直流电阻 Resistance	DCR <sub>1-4</sub> =DCR <sub>2-3</sub>	180 mΩ MAX	1KHz, 0.25V 25°C Short Other Pin	
3	抗电强度 HI-POT TEST	COIL 1 TO COIL 2	无击穿	1.5KVAc 5mA 3 SEC	CS9912BI
		COIL - CORE		1.0KVAc 5mA 3 SEC	
4	匝比 TURNS RATIO	N1:N2	38 (REF) :38	1KHz, 0.25V	CH3250

拟制/DRAWING:	审核/CHECKED:	批准/RATIFY:
-------------	-------------	------------

## 6.包装、外观和检验要求/PACKAGE SEMBLABLE AND TEST REQUIREMENT

### 6.1 包装(PACKING REQUIREMENT)

①包装箱上标明产品型号、名称、数量、生产周期，出厂日期、承制方名称及出厂检验章；最小包装 2176PCS (TYPE ,PRODUCT NAME ,QTY,MANUFACTURE PERIOD ,SHIPPING DATE ,SUPPLIER NAME AND THE STAMP OF OUT-INSPECTION MUST BE STATED IN THE OUT PACKAGING.)

②不同生产周期的同一产品不得放入同一包装箱内； (THE SAME PRODUCT BUT DIFFERENT MANUFACTURE PERIOD NUMBER MUSTN'T BE PUT IN THE SAME CONTAINER)

③货物运达客户方后，包装箱封条应完好，箱体无破损、开裂等现象； (COMPLETE SEAL, NO BREAKAGE ON OUTER CONTAINER , NO CRACK IS REQUIRED WHEN THE CUSTOMER RECEIVED THE GOODS)

④开箱后，箱内包装材料无破损。产品应分层、间隔包装，不满一箱应加垫填充物。(THE PACKING MATERIALS CAN'T HAVE ANY BREAKAGE WHEN OPENING THE CONTAINER . THE PRODUCTS SHOULD BE PACKED IN LAYER AND SPACER . IF THERE ARE NO ENOUGH PRODUCTS TO A CONTAINER , FILLER WILL BE PUT IN )

### 6.2 外观(APPEARANCE REQUIREMENT)

①每件最小包装应有耐擦防水洗标签或印字，应注明生产周期、型号或规格； (THE LABEL OF WATERPROOF OR LETTERING SHOULD BE NEEDED ON EACH MINIMUM PACKING AND MANUFACTURE PERIOD ,TYPE OR SIZE SHOULD BE STATED)

②外观整洁。( KEEP THE APPEARANCE NEAT )

### 6.3 检验(CHECKING REQUIREMENT)

拟制/DRAWING:	审核/CHECKED:	批准/RATIFY:
-------------	-------------	------------

①产品生产中必须全数进行电气性能检测；(DURING PRODUCTION,ALL PRODUCTS MUST BE TESTED ELECTRIC CHACTER AND ELECTRICITY-RESISTANT INTENSITY )

②产品出货前按批次，必须根据承认书按国家行业标准进行抽样检验，合格后出具出厂检验报告，记录抽样测试数据。

( BEFORE SHIPPING , THE PRODUCT MUST BE HAD A SAMPLING TEST ACCORDING TO ACKNOWLEDGMENT BY NATIONAL INDUSTRY STANDARD . TEST REPORT WILL BE SHOWED AND THE DATE OF TESTING WILL BE NOTED AFTER QUALIFIED . )

## 7. 材料清单/MATERIAL LIST

### LIST1

ITEM	TYPE	MATERIAL	SPEC		MANUFACTURE	UL NO.
			°C	UL94		
WIRE	Φ0.15*1.0m m	1UEW	180	N/A	Guangdong lizewire Electric Technology Co LXRSQ	E504985
					YOU TUO ENTERPRISE CO.,LXRSQ	E338133
Varnish	1032XXX				Shen zhen noble flower technology industrial co LXRSQ	E213437

### LIST 2

ITEM	TYPE	PRODUCT MANUFACTURE	MATERIAL	SPEC		MATERIAL MANUFACTURE	UL NO.	ROHS
				°C	UL94			
BOBBIN	XRSQ12底座	MEIRISHENG ELECTRONICS CO; LXRSQ	T375HF	150	V-0	CHANG CHUN PLASTICS CO LXRSQ	E59481	Y

拟制/DRAWING:	审核/CHECKED:	批准/RATIFY:
-------------	-------------	------------

### LIST 3

ITEM	TYPE	MATERIAL	SPEC		MANUFACTURE
			℃	UL94	
CORE	XRSQ12	R12K	N/A	N/A	ShanDongHengRui Magent technolgy co.,IXRSQ
		R12K OR EQUIVALENT			ACME Electronics(guangzhou) Co.,LXRSQ
					JIU XIN

### 更改说明/REJIGGER EXPLAIN:

序号 SERIAL	更改地方 REJIGGER PLACE	更改原因 REJIGGER CAUSATION	责任归属 RESPONSIBILITY BELONG TO	更改收益 REJIGGER INCOME

客户/CUSTOMER: T  
 承制方/MANUFACTURER: 祥如电子

型号/MODEL: XRSQ1212-8mH  
 版本/EDITION: A2 第 7 页 共 8 页

## 检 验 报 告

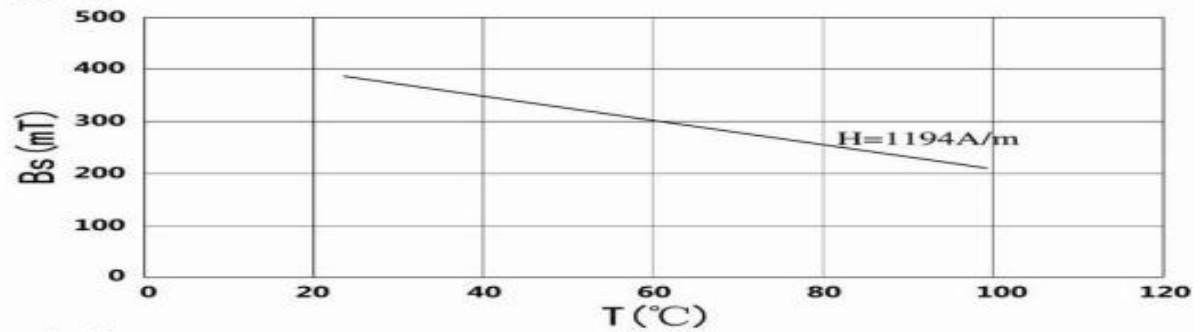
MEAS. ITEM		L(1-4) mH	L(2-3) mH	DCR(1-4) mΩ	DCR(2-3) mΩ	Lk1-4 短路 L(2-3)	
SPEC.	YOUR						
	SUGGEST	8 min	8min	180MAX	180MAX	漏感	
TEST FREQ.		1KHz/0.25V	1KHz/0.25V	内阻 100Ω	内阻 100Ω	1KHZ/0.25V	
1		19.99	19.95	110	110	50.4uH	
2		19.22	19.23	109	109	50.5uH	
3		20.20	20.21	110	110	50.0uH	
4		21.11	21.12	109	109	51.4uH	
5		19.56	19.58	110	110	51.uH	
6		19.35	19.50	109	109	51.4uH	
7		20.29	20.35	110	110	50.4uH	
8		20.26	20.35	110	110	50.9uH	
YOUR SAMPLE							
TEST CONDITION:                      TEMP.:    25°C (REF.)                      R.H.:    60% (REF.)							
REMARK:    HI-POT TEST OK							

拟制/DRAWING:	审核/CHECKED:	批准/RATIFY:
-------------	-------------	------------

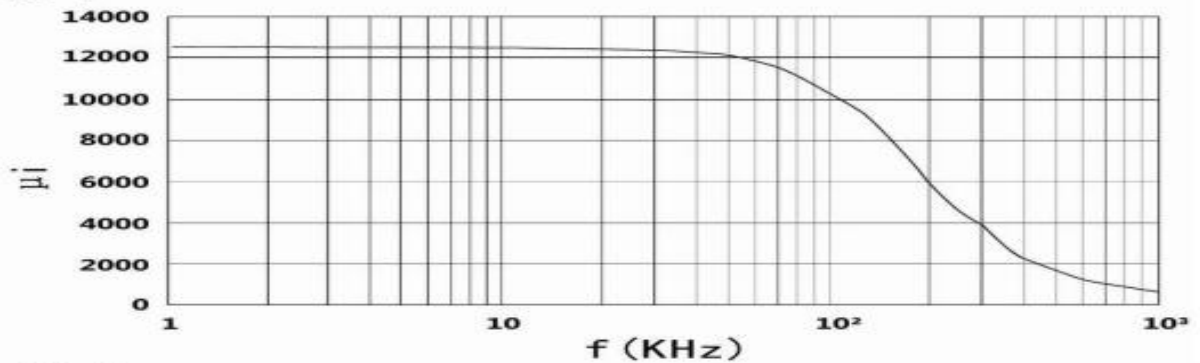
R12K

特性 Characteristics	符号 Symbol	单位 Unit	特性值 Value
初始磁导率 Initial permeability	$\mu_i$		12000 ± 25%
饱和磁通密度 (H=1194A/m) Saturation flux density	$B_s$	mT	380
比损耗因子 Relative loss factor	$\tan \delta / \mu_i$	$\times 10^{-6}$	< 7 (10kHz)
比温度系数 (25°C~60°C) Relative temperature coefficient	$\alpha / \mu_i$	$\times 10^{-6}/^\circ\text{C}$	-0.5~2.0
减落因子 Disaccommodation factor	DF	$\times 10^{-6}$	< 2
剩磁 (H=1194A/m) Remanence	$B_r$	mT	110
矫顽力 (H=1194A/m) Coercivity	$H_c$	A/m	5
居里温度 Curie temperature	$T_c$	$^\circ\text{C}$	$\geq 110$
电阻率 Resistivity	$\rho$	$\Omega \cdot \text{m}$	0.15
密度 Density	d	$\text{kg}/\text{m}^3$	$4.95 \times 10^3$

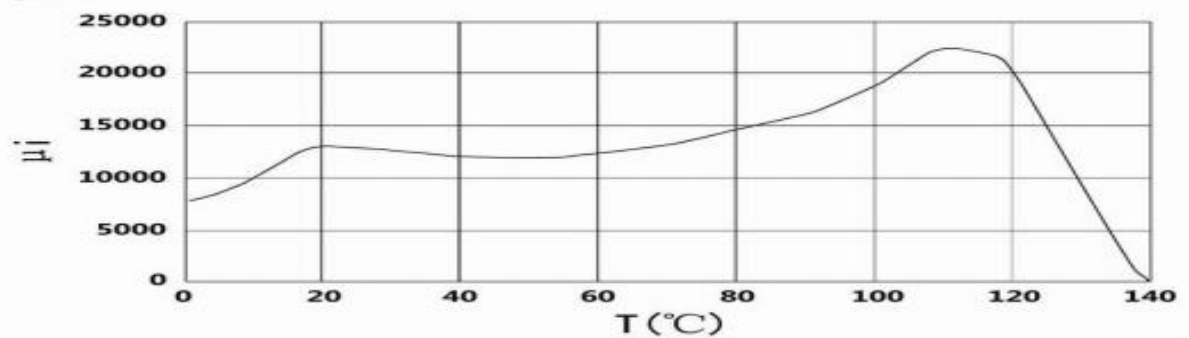
Bs-T



$\mu_i$ -f



$\mu_i$ -T



拟制/DRAWING:

审核/CHECKED:

批准/RATIFY:



## X-ON Electronics

Largest Supplier of Electrical and Electronic Components

*Click to view similar products for [Common Mode Chokes / Filters](#) category:*

*Click to view products by [MaxLinear](#) manufacturer:*

Other Similar products are found below :

[PE-64683](#) [ST6118T-R](#) [FE3X025-10-7NL](#) [T8114NLT](#) [TCM0806G-350-2P-T](#) [TCM0806G-650-2P-T](#) [IND-0110](#) [UAL21VR0802000](#)  
[UALSC023000000](#) [UALSC1020JH000](#) [UALSU10VD20010](#) [UALSU9VD070100](#) [36-00037](#) [CM7060M132R-10](#) [UALW21HS072450](#)  
[UALSU9H0208000](#) [UAL24VK06450CH](#) [PLT10HH501100PNB](#) [PLT10HH401100PNB](#) [PLT10HH1026R0PNB](#) [36-00029-01](#) [PE-67531](#)  
[TLH10UB](#) [113 0R5](#) [2752045447](#) [CM8663Z161B-10](#) [7351V](#) [CMF16-153131](#) [T8116NLT](#) [CMS2-10-R](#) [FE2X10-4-2NL](#) [T8003NLT](#) [CTX01-](#)  
[13663](#) [CTX66-19521-R](#) [RC212-0.5-10M](#) [RC112-0.4-15M](#) [RC212-0.6-6M8](#) [RC212-0.4-15M](#) [RC112-0.3-30M](#) [4534-3](#)  
[WTCF2012Z0M751PB](#) [PH9408.814NLT](#) [B82498B3221J000](#) [PAC6006.364NLT](#) [PAC6006.444NLT](#) [PAC6006.204NLT](#) [PH9407.204NLT](#)  
[PAC6006.264NLT](#) [PH9408.105NLT](#) [PH9408.494NLT](#) [PAC6006.104NLT](#)