



# 产品承认书 SPECIFICATION FOR APPROVAL

客户名称:

CUSTOMER

我司料号:

OUR PART NO.

XRSQ2418-12mH-H-21225

我司品名:

OUR PART NAME

工字电感

送样日期:

DATE SAMPLES

数量:

QUANTITY

0PCS

## 制造确认 MANUFACTURER APPROVE

拟制 DRAWN	审核 CHECKED	确认 APPROVED

## 客户确认 CUSTOMER APPROVE

客户名称 CUSTOMER NAME:

客户料号 CUSTOMER P/N:

规格型号 DESCRIPTION:

SQ2418卧式 12mH 21\*22.5脚距

检查结果:  合格  不合格

签名及盖章:

INSPECT RESULT ACCEPT REJECT

SIGNATURE AND STAMP

说明 REMARK:

如对本承认书内容有异议请提出或标记发送至我司, 本承认书在未收到异议回复时于本承认书提供一周后生效。

东莞市祥如电子有限公司

地址: 广东省东莞市塘厦镇莲湖第一工业区南二横路36号B栋

电话: 0769-86346548 传真: 0769-86346358

邮箱: dgxiangru@126.com



# 东莞市祥如电子有限公司

## SPECIFICATION FOR APPROVAL

CUSTOMER \_\_\_\_\_

CUSTOMER 'S PART NO \_\_\_\_\_

VER \_\_\_\_\_

A1

DESCRIPTION \_\_\_\_\_

SQ2418 卧式 12mH 21\*22.5 脚距

OUR DRAWING NO \_\_\_\_\_

XRSQ2418-12mH-H-21225

### A REVISION HISTORY

DATE OF	REVISED PROJECT	EDITION	NOTE
2024/06/05	NEW VERSION	A	

Page2/7

PPROVED BY	CHECKED BY	PREPARED BY	UNIT	mm
李振雄	唐文	谢诗珍	DATE	2024/06/05
			REV NO.	A1



# 东莞市祥如电子有限公司

## SPECIFICATION FOR APPROVAL

CUSTOMER \_\_\_\_\_

CUSTOMER 'S PART NO \_\_\_\_\_

VER \_\_\_\_\_

A1

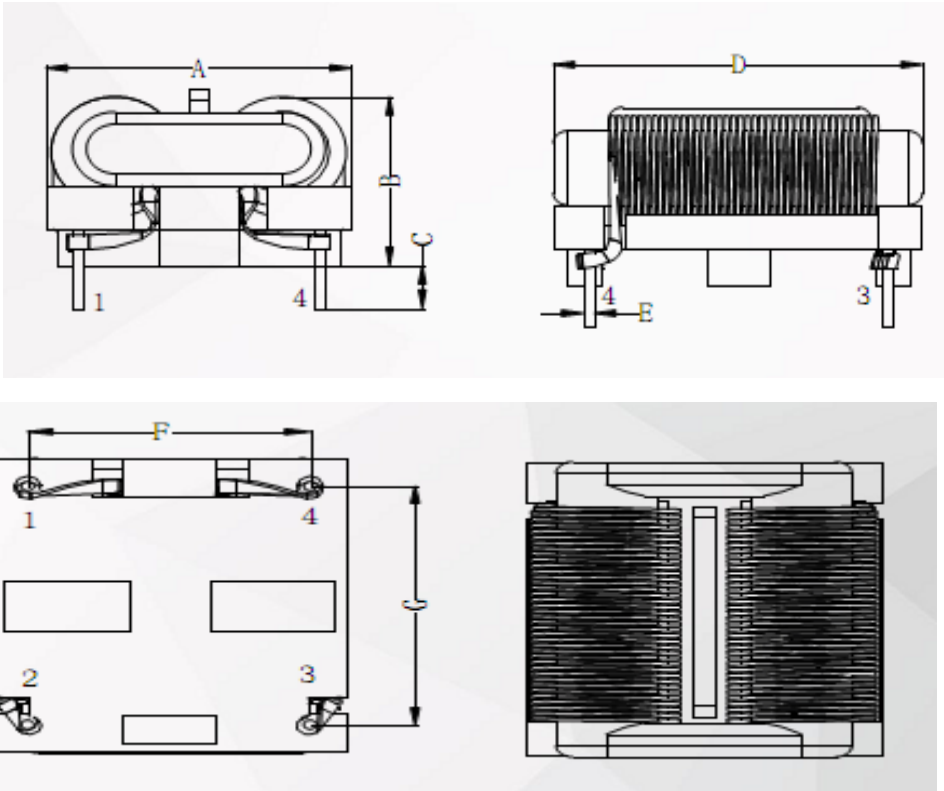
DESCRIPTION \_\_\_\_\_

SQ2418 卧式 12mH 21\*22.5 脚距

OUR DRAWING NO \_\_\_\_\_

XRSQ2418-12mH-H-21225

### 1. APPEARANCE & DIMENSION (UNIT: mm):



A	B	C	D	E	F	G	H
24MAX	16MAX	3.5MAX	27REF	$0.8 \pm 0.1$	$21 \pm 0.5$	$22.5 \pm 0.5$	

NOTE: 1. 产品共模绕制。 2. 产品需含浸凡立水固定。

Page3/7

PPROVED BY	CHECKED BY	PREPARED BY	UNIT	mm
李振雄	唐文	谢诗珍	DATE	2024/06/05
			REV NO.	A1



# 东莞市祥如电子有限公司

## SPECIFICATION FOR APPROVAL

CUSTOMER \_\_\_\_\_

CUSTOMER 'S PART NO \_\_\_\_\_

VER \_\_\_\_\_

A1

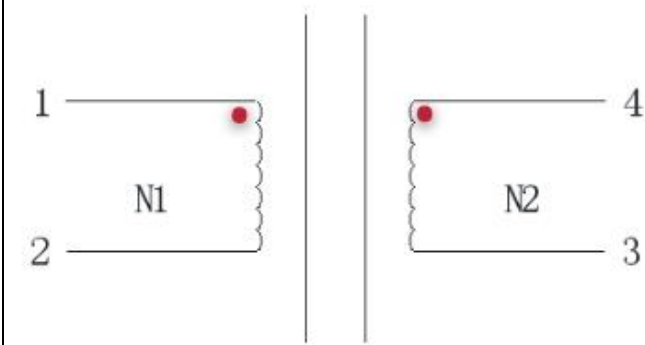
DESCRIPTION \_\_\_\_\_

SQ2418 卧式 12mH 21\*22.5 脚距

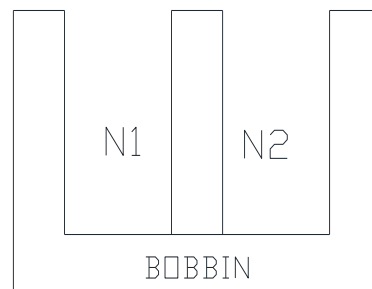
OUR DRAWING NO \_\_\_\_\_

XRSQ2418-12mH-H-21225

### 2. SCHEMATIC:



### 3. WINDING SEQUENCE:



### 4. WINDING TABLE

ORDER	WIRE SIZE	START	END	TURNS	LAYER	INSULATION	
N1	0.2t×1.5mm UEWH 扁平线	1	2	58TS	CLOSE		
N2	0.2t×1.5mm UEWH 扁平线	4	3	58TS	CLOSE		

Page4/7

PPROVED BY	CHECKED BY	PREPARED BY	UNIT	mm
李振雄	唐文	谢诗珍	DATE	2024/06/05
			REV NO.	A1



# 东莞市祥如电子有限公司

## SPECIFICATION FOR APPROVAL

CUSTOMER \_\_\_\_\_

CUSTOMER 'S PART NO \_\_\_\_\_

VER \_\_\_\_\_

A1

DESCRIPTION \_\_\_\_\_

SQ2418 卧式 12mH 21\*22.5 脚距

OUR DRAWING NO \_\_\_\_\_

XRSQ2418-12mH-H-21225

TEST CONDITION:		TEMPERATURE AT: 25°C ± 5°C WORKING TEMPERATURE: -25°C/+125°C STORAGE TEMPERATURE: -25°C/+40°C HUMIDITY: AT45-80% RH	
TEST INSTRUMENT	CHENHWA/1062	CHENHWA/1062	CHENHWA/502A
ITEM	INDUCTANCE 1KHz, 0.25Vrms 25°	DIFFERENCE INDUCTANCE 1KHz, 0.25V 25°	DC. RESISTANCE AT 25°C
TERMINAL			
1-2	12mH MIN	0.3mH Max	120mΩ MAX
3-4	12mH MIN	0.3mH Max	120mΩ MAX
TEST INSTRUMENT	E-SUN 19053	E-SUN/19053	
ITEM	HI-POT TEST AC50/60Hz, 5mA, 3sec	INSULATION RESISTANCE. DC 500V	
TERMINAL			
COIL-COIL	1500V	100M Ω MIN	
COIL-CORE	1000V	100M Ω MIN	
I <sub>rms</sub>	4.5A		

PPROVED BY	CHECKED BY	PREPARED BY	UNIT	mm
李振雄	唐文	谢诗珍	DATE	2024/06/05
			REV NO.	A1



# 东莞市祥如电子有限公司

## SPECIFICATION FOR APPROVAL

CUSTOMER \_\_\_\_\_

CUSTOMER 'S PART NO \_\_\_\_\_

VER \_\_\_\_\_

A1

DESCRIPTION \_\_\_\_\_

SQ2418 卧式 12mH 21\*22.5 脚距

OUR DRAWING NO \_\_\_\_\_

XRSQ2418-12mH-H-21225

### 6. MATERIAL LIST:

No	ITEM	MATERIAL	CLASS	UL NO.	MANUFACTURER	OPT.
1	CORE	SQ2418 12K			ACMEElectronics (Guangzhou) Co;Ltd	√
		SQ2418 12K			SHANGDONG hengrui magnet technology CO.,LTD	√
		SQ2418 12K			DongGuan City JiuXin Magnetic Material Co.,Ltd	√
		SQ2418 12K			TengZhou MingJi Magnetism Industry Co., Ltd.	√
2	BOBBIN	T375HF	150°C	E59481	CHANG CHUN PLASTICS CO LTD	√
3	WIRE	@* FIWx180	180°C	E234867	SUNTEK HOLDINGS LIMITED	√
		@* UEW180	180°C	E504985	Guangdong Liziwire Electric Technology Co Ltd	√
4	VARNISH	E962	130°C	E335405	ZHUHAI CHANGXIAN NEW MATERIALS TECHNOLOGY CO LTD	√
5	锡	无铅锡条 /Sn99.9			Dongguan City Thousand Island METAL Foil CO LTD	√

Page6/7

PPROVED BY	CHECKED BY	PREPARED BY	UNIT	mm
李振雄	唐文	谢诗珍	DATE	2024/06/05
			REV NO.	A1



# 东莞市祥如电子有限公司

## SPECIFICATION FOR APPROVAL

CUSTOMER \_\_\_\_\_

CUSTOMER 'S PART NO \_\_\_\_\_

VER \_\_\_\_\_

A1

DESCRIPTION \_\_\_\_\_

SQ2418 卧式 12mH 21\*22.5 脚距

OUR DRAWING NO \_\_\_\_\_

XRSQ2418-12mH-H-21225

### 7. THE INSPECTION REPORT

ITEM	TEXT SPEC.	1	2	3	4	5
L 值 (1-2)	12mH MIN 1KHZ 0.25V	15.6	14.3	15.2	16.5	15.8
L 值 (3-4)	12mH MIN 1KHZ 0.25V	15.6	14.3	15.2	16.5	15.8
DCR 值 (1-2)	120mΩ MAX AT 25°C	OK	OK	OK	OK	OK
DCR 值 (3-4)	120mΩ MAX AT 25°C	OK	OK	OK	OK	OK
HI-POT AC50/60Hz 5mA 3sec	COIL-COIL: 1500V	OK	OK	OK	OK	OK
	COLI-CORE: 1000V	OK	OK	OK	OK	OK

### TEST EQUIPMENT

INDUCTANCE	HI-POT	DC. R
CH-3250: ( )	E-SUN-19053 ( √ )	CH-502BC ( √ )
CH-1062: ( √ )		
CH-101: ( )		

PPROVED BY	CHECKED BY	PREPARED BY	UNIT	mm
李振雄	唐文	谢诗珍	DATE	2024/06/05
			REV NO.	A1

## X-ON Electronics

Largest Supplier of Electrical and Electronic Components

*Click to view similar products for [Common Mode Chokes / Filters](#) category:*

*Click to view products by [MaxLinear](#) manufacturer:*

Other Similar products are found below :

[PE-64683](#) [RD5122-6-9M6](#) [RD6137-6-7M5](#) [RD8147-16-3M0](#) [ST6118T-R](#) [FE3X025-10-7NL](#) [RD7147-25-0M7](#) [TCM0806G-350-2P-T](#)  
[TCM0806G-650-2P-T](#) [IND-0110](#) [UAL21VR0802000](#) [UALSC023000000](#) [UALSC1020JH000](#) [UALSU10VD20010](#) [UALSU9VD070100](#) [36-00037](#) [UALW21HS072450](#) [UALSU9H0208000](#) [UAL24VK06450CH](#) [PLT10HH501100PNB](#) [PLT10HH401100PNB](#) [PLT10HH1026R0PNB](#)  
[36-00029-01](#) [PE-67531](#) [TLH10UB](#) [113 0R5](#) [2752045447](#) [7351V](#) [CMF16-153131](#) [RD7147-6-6M0](#) [T8116NLT](#) [FE2X10-4-2NL](#) [36-00029-07](#)  
[T8003NLT](#) [CTX01-13663](#) [CTX66-19521-R](#) [RC212-0.5-10M](#) [RC112-0.4-15M](#) [RC212-0.6-6M8](#) [RC212-0.4-15M](#) [RC112-0.3-30M](#)  
[WTCF2012Z0M751PB](#) [PH9408.814NLT](#) [PAC6006.364NLT](#) [PAC6006.444NLT](#) [PAC6006.204NLT](#) [PH9407.204NLT](#) [PAC6006.264NLT](#)  
[PH9408.105NLT](#) [PH9408.494NLT](#) [PAC6006.104NLT](#)