



MXD8529A

0.1-3.0GHz SPDT Antenna Tuning Switch

This document contains information that is confidential and proprietary to Maxscend Microelectronics Company Limited (Maxscend) and may not be reproduced in any form without express written consent of Maxscend. No transfer or licensing of technology is implied by this document.

General Description

The MXD8529A is a CMOS silicon-on-insulator (SOI), single-pole, double-throw (SPDT) switch. The high linearity and ruggedness performance and extremely low insertion loss makes the device an ideal choice for GSM/WCDMA/LTE handset antenna tuning application.

The MXD8529A SPDT switch is provided in a compact 1.385mm x 1.485mm x 0.45mm 8-lead QFN package. A functional block diagram is shown in Figure 1. The pin configuration and package are shown in Figure 2. Signal pin assignments and functional pin descriptions are provided in Table 1.

Applications

- GSM/WCDMA/LTE band and mode switching
- Antenna tuning switch

Features

- Broadband frequency range: 0.1 to 3.0 GHz
- Low insertion 0.30dB @ 2.7 GHz
- High P0.1dB of 43dBm
- Positive low voltage control: VC = 1.0 to 3.0 V, VDD = 2.5 to 3.0 V, Small, QFN (8-pin, 1.385mm x 1.485mm x 0.45mm) package , MSL1

Functional Block Diagram and Pin Function

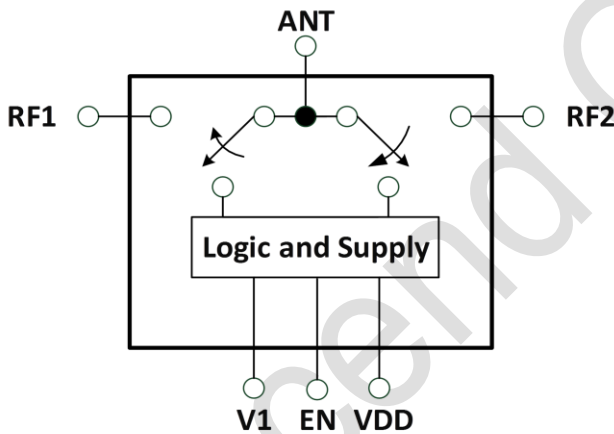


Figure 1. Functional Block Diagram

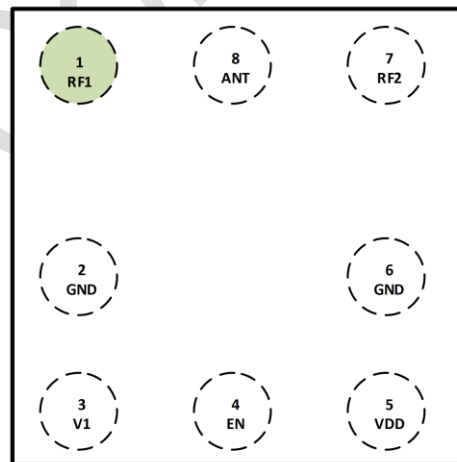
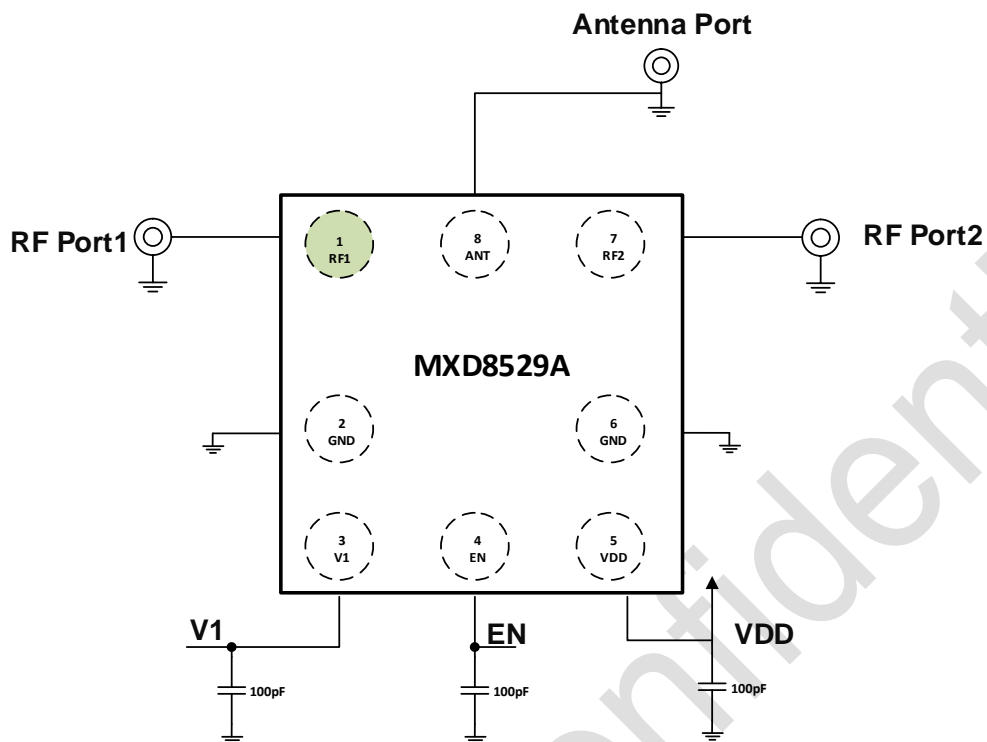


Figure 2. Pin-out (Top View)

Application Circuit

Figure 3. MXD8529A Application Circuit
Table 1. Pin Description

Pin No.	Name	Description	Pin No.	Name	Description
1	RF1	RF port 1	5	VDD	DC power supply
2	GND	Ground	6	GND	Ground
3	V1	DC control voltage	7	RF2	RF port 2
4	EN	DC control voltage	8	ANT	Antenna port

Truth Table
Table 2.

Active Path	EN	V1
ANT to RF1	1	0
ANT to RF2	1	1
OFF	0	1
Low Power Mode	0	0

Note: "1" = 1.0 V to 3.00 V. "0" = -0 V to +0.3 V.

Recommended Operation Range
Table 3.

Parameters	Symbol	Min	Typ	Max	Units
Operation Frequency	f1	0.1	-	3.0	GHz
Power supply	V _{DD}	2.5	2.8	3.0	V
Switch Control Voltage High	V _{CTLH}	1.0	1.8	3.0	V
Switch Control Voltage Low	V _{CTLL}	0	0	0.3	V

Specifications
Table 4. Electrical Specifications

Parameter	Symbol	Specification			Units	Test Condition
		Min.	Typical	Max.		
DC Specifications						
Control voltage: Low	V_{CTL_L}	0	0	0.3	V	
High	V_{CTL_H}	1.0	1.8	3.0	V	
Supply voltage	V_{DD}	2.5	2.8	3.0	V	
Supply current	I_{DD}		60		μA	$V_{DD} = 2.8 V$
Control current	I_{CTL}		1		μA	$V_{CTL} = 1.8 V$
RF Specifications						
Insertion loss	IL		0.20		dB	0.8 to 1.0 GHz
			0.25			1.0 to 2.2 GHz
			0.30			2.2 to 3.0 GHz
Isolation	ISO	25	30		dB	0.8 to 1.0 GHz
		20	22			1.0 to 2.2 GHz
		15	17			2.2 to 3.0 GHz
Return loss	$ S_{11} $		22		dB	0.8 to 3.0 GHz
Input 0.1 dB compression point	$P_{0.1dB}$		+43		dBm	0.8 to 3.0 GHz, ANT to RF1 and RF2
Maximum RF operating voltage	V_{PK}		45		V	25% duty cycle, OFF state, 0.8 to 3.0 GHz
On Resistance (RF1/2 to ANT)	R_{on}		1.3	1.4	Ω	Switch on Path
OFF Capacitance (RF1/2 to ANT)	C_{off}		140	160	fF	Switch off Path
Switching on time			2		μs	50% VCTL to 90% RF
Switching off time			2		μs	50% VCTL to 10% RF
Startup time			10		μs	Power off state to any RF switch state

Absolute Maximum Ratings
Table 5. Maximum ratings

Parameters	Symbol	Minimum	Maximum	Units
Supply voltage	V_{DD}	+2.5	+3.3	V
Digital control voltage	V_{CTL}	0	+3.0	V
RF input power	P_{IN}		+43.5	dBm
Operating temperature	T_{OP}	-35	+90	$^{\circ}C$
Storage temperature	T_{STG}	-55	+150	$^{\circ}C$
Peak RF operation voltage, 25% duty cycle, OFF state, $f=700MHz$ to $2690MHz$, $V_{DD}=2.8V$, $V_{CTL}=1.8V$	V_{RFPEAK}		50	V
Electrostatic Discharge Human body model (HBM), Class 1C	ESD_HBM		1000	V
Machine Model (MM), Class A	ESD_MM		100	
Charged device model (CDM), Class III	ESD_CDM		500	

Note: Exposure to maximum rating conditions for extended periods may reduce device reliability. There is no damage to device with only one parameter set at the limit and all other parameters set at or below their nominal value. Exceeding any of the limits listed here may result in permanent damage to the device.

Package Outline Dimension

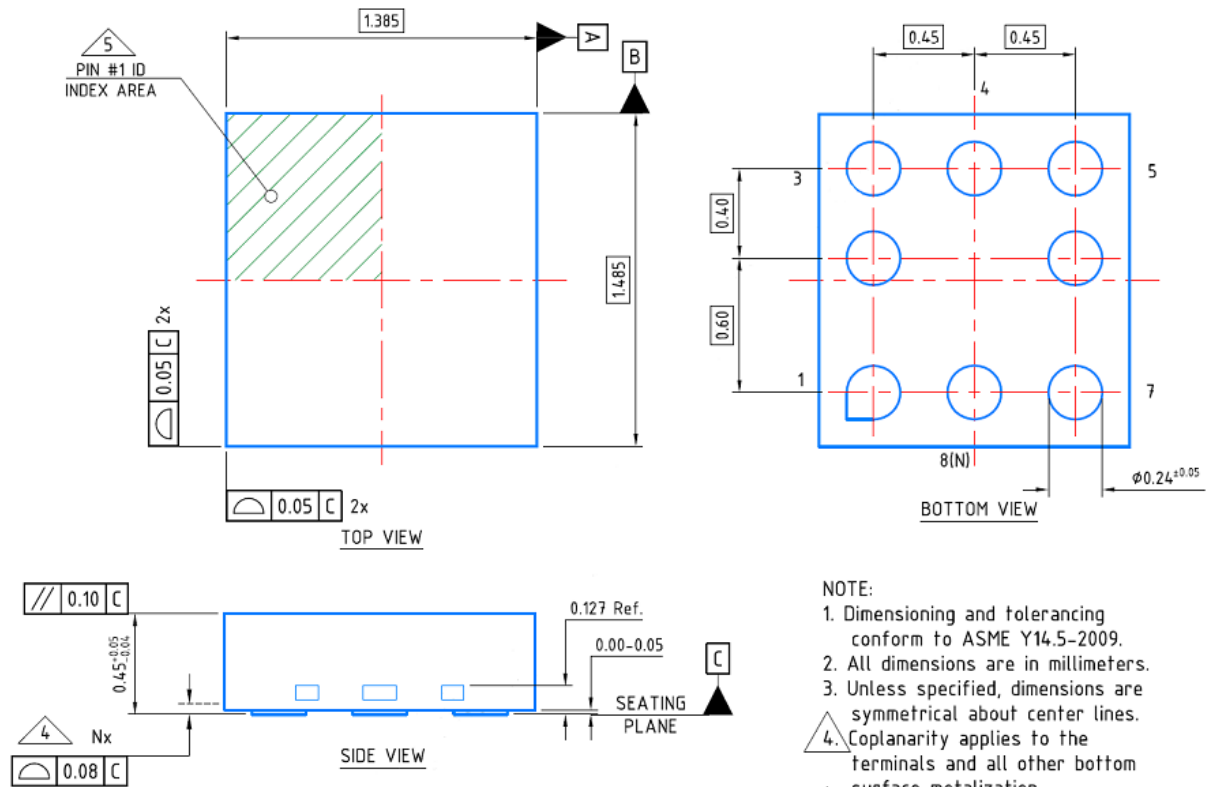


Figure 4. Package outline dimension

Marking Specification

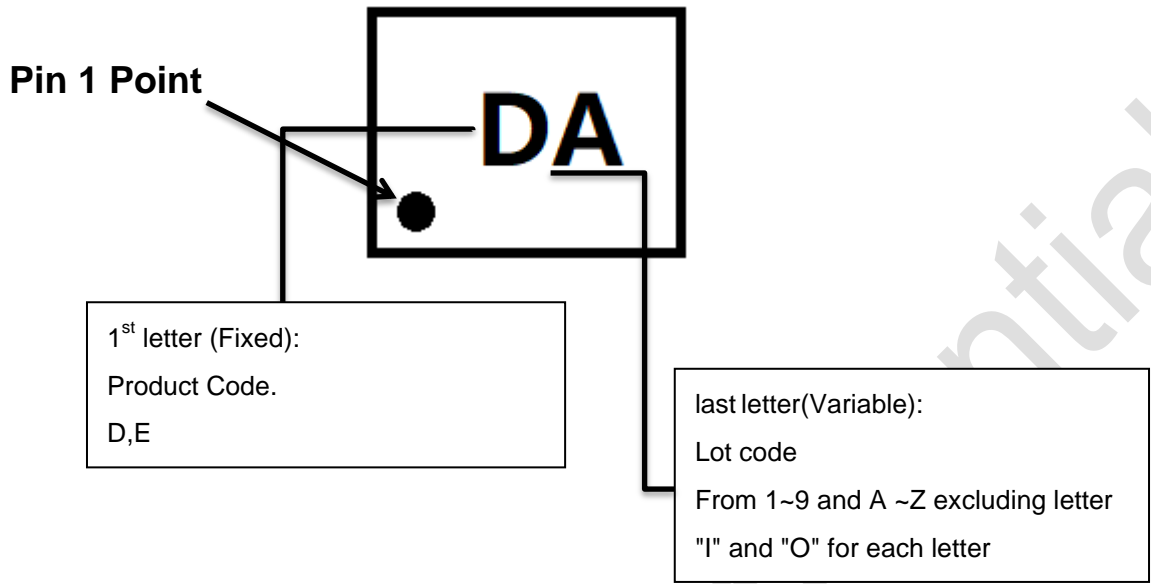
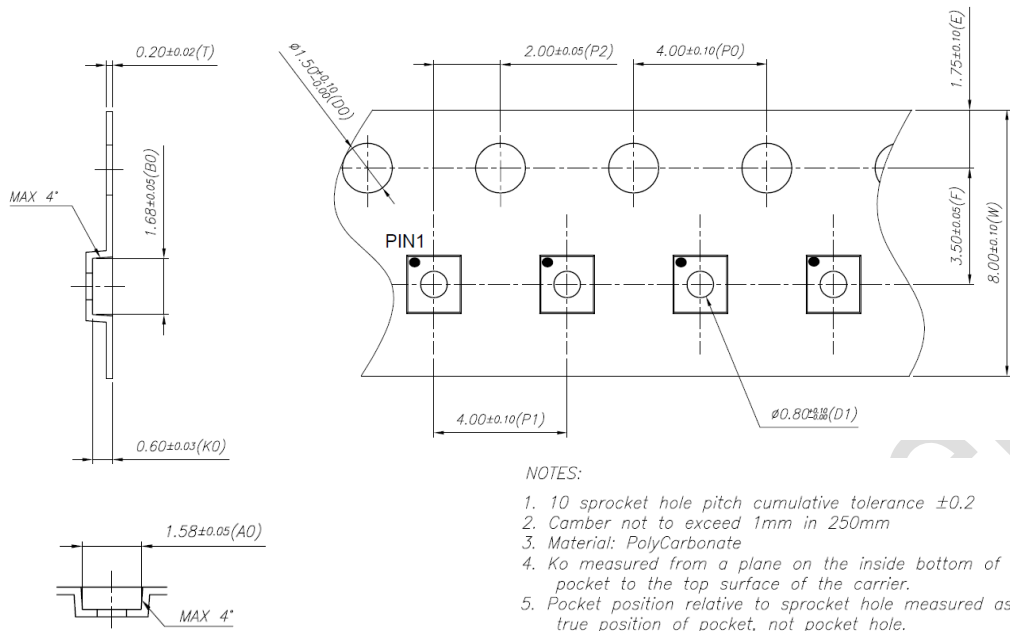


Figure 5. Marking specification (Top View)

Tape and Reel Dimensions



- NOTES:
1. 10 sprocket hole pitch cumulative tolerance ± 0.2
 2. Camber not to exceed 1mm in 250mm
 3. Material: PolyCarbonate
 4. K_0 measured from a plane on the inside bottom of the pocket to the top surface of the carrier.
 5. Pocket position relative to sprocket hole measured as true position of pocket, not pocket hole.
 6. Pocket center and pocket hole center must be same position.
 7. ESD : 10E5 ~ 10E9

Figure 6. Tape and reel dimensions

Reflow Chart

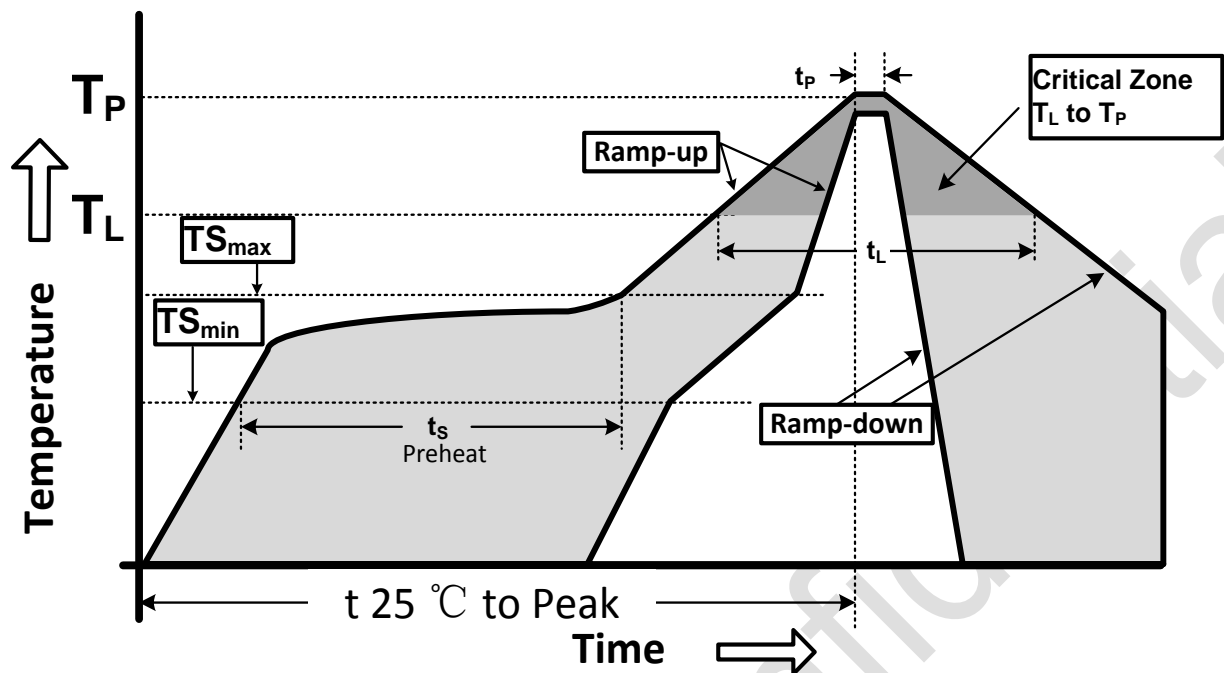


Figure 7. Recommended Lead-Free Reflow Profile

Table 6.

Profile Parameter	Lead-Free Assembly, Convection, IR/Convection
Ramp-up rate (TS_{max} to T_p)	3°C/second max.
Preheat temperature (TS_{min} to TS_{max})	150°C to 200°C
Preheat time (t_s)	60 - 180 seconds
Time above T_L , 217°C (t_L)	60 - 150 seconds
Peak temperature (T_p)	260°C
Time within 5°C of peak temperature(t_p)	20 - 40 seconds
Ramp-down rate	6°C/second max.
Time 25°C to peak temperature	8 minutes max.

ESD Sensitivity

Integrated circuits are ESD sensitive and can be damaged by static electric charge. Proper ESD protection techniques should be used when handling these devices.

RoHS Compliant

This product does not contain lead, mercury, cadmium, hexavalent chromium, polybrominated biphenyls (PBB) and polybrominated diphenyl ethers (PBDE), and are considered RoHS compliant.

1.0.1

X-ON Electronics

Largest Supplier of Electrical and Electronic Components

Click to view similar products for [RF Switch ICs](#) category:

Click to view products by [Maxscend](#) manufacturer:

Other Similar products are found below :

[MASW-007921-002SMB](#) [BGSA142GN12E6327XTSA1](#) [BGSA142MN12E6327XTSA1](#) [BGSA142M2N12E6327XTSA1](#) [MASW-004100-11930W](#) [MASW-008853-TR3000](#) [BGS13SN8E6327XTSA1](#) [BGSF18DM20E6327XUMA1](#) [BGSX210MA18E6327XTSA1](#) [BGSX212MA18E6327XTSA1](#) [SKY13446-374LF](#) [SW-227-PIN](#) [PE42524A-X](#) [CG2185X2](#) [CG2415M6](#) [MA4AGSW1A](#) [MA4AGSW2](#) [MA4AGSW3](#) [MA4AGSW5](#) [MA4SW210B-1](#) [MA4SW410](#) [MASW-002102-13580G](#) [BGS 12PL6 E6327](#) [BGS1414MN20E6327XTSA1](#) [BGS1515MN20E6327XTSA1](#) [BGSA11GN10E6327XTSA1](#) [BGSX28MA18E6327XTSA1](#) [HMC199AMS8](#) [HMC595AETR](#) [HMC986A](#) [SKY13374-397LF](#) [SKY13453-385LF](#) [CG2430X1-C2](#) [TGS4304](#) [UPG2162T5N-A](#) [CG2415M6-C2](#) [AS222-92LF](#) [SW-314-PIN](#) [UPG2162T5N-E2-A](#) [BGS18GA14E6327XTSA1](#) [MASWSS0204TR-3000](#) [MASWSS0201TR](#) [MASWSS0181TR-3000](#) [MASW-007588-TR3000](#) [MASW-007075-000100](#) [MASW-004103-13655P](#) [MASW-003102-13590G](#) [MASWSS0202TR-3000](#) [MASW-008543-TR3000](#) [MA4SW310B-1](#)