



## **MXD8626**

SPDT Switch for 3G/4G Application

This document contains information that is confidential and proprietary to Maxscend Technologies Inc. (Maxscend) and may not be reproduced in any form without express written consent of Maxscend. No transfer or licensing of technology is implied by this document.

### General Description

The MXD8626 is a Single-Pole, Double-Throw (SPDT) LTE/WCDMA/GSM switch. Switching is controlled by an integrated GPIO interface with a single control pin.

No external DC blocking capacitors are required as long as no DC voltage is applied on any RF path.

The MXD8626 is provided in a compact 1.1mm x 0.7mm x 0.45mm 6-lead LGA package that meets requirements for board-level assembly.

A functional block diagram and the pin configuration are shown in Figure 1.

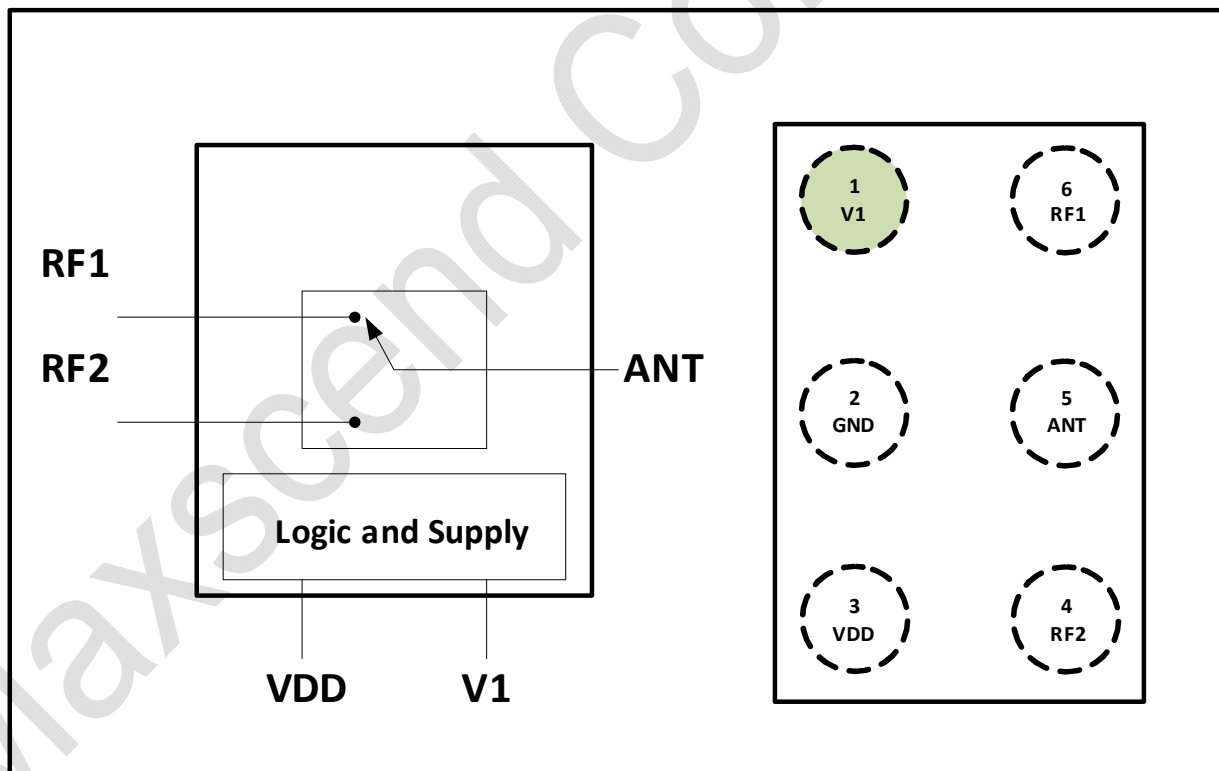
### Applications

- GSM/WCDMA/LTE

### Features

- Broadband frequency range: 0.7 to 2.7 GHz
- Low insertion loss: 0.35 dB @ 2.7 GHz
- High isolation: 25 dB up to 2.7 GHz
- P0.1dB >35dBm
- No external DC blocking capacitors required
- Single GPIO control line with VDD voltage regulator:  
 $V_{CTL} = 1.6$  to 3.00 V  
 $V_{DD} = 2.5$  to 3.00 V
- Small, 6-Lead LGA, 400 um pitch (1.1mm x 0.7mm x 0.45 mm) package

### Functional Block Diagram and Pin Function



## Application Circuit

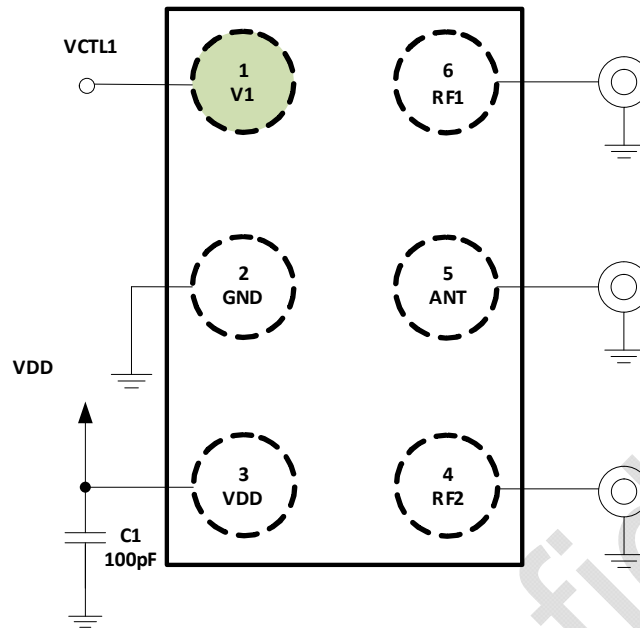


Figure 2. MXD8626 Application Circuit

Note: C1 = 100pF

Table 1. Pin Description

Pin No.	Name	Description	Pin No.	Name	Description
1	V1	Digital control input	4	RF2	RF I/O. Throw 2 of the switch.
2	GND	Ground	5	ANT	Antenna
3	VDD	Power supply	6	RF1	RF I/O. Throw 1 of the switch.

## Truth Table

Table 2.

State	Active Path	V1 (Bump B1)
0	ANT to RF1	0
1	ANT to RF2	1

Note: "1" = 1.6 V to 3.00 V. "0" = 0 V to +0.3 V.

## Recommended Operation Range

Table 3.

Parameters	Symbol	Min	Typ	Max	Units
Operation Frequency	f1	0.1	-	3.0	GHz
Power supply	V <sub>DD</sub>	2.5	2.8	3.0	V
Switch Control Voltage High	V <sub>CTL H</sub>	1.6	1.8	3.0	V
Switch Control Voltage Low	V <sub>CTL L</sub>	0	0	0.3	V

## Specifications

**Table 4. Electrical Specifications**

Parameter	Symbol	Specification			Units	Test Condition
		Min.	Typical	Max.		
<b>DC Specifications</b>						
Supply voltage	$V_{DD}$	2.5	2.8	3.0	V	
Control voltage: Low	$V_{CTL\_L}$	0	0	+0.3	V	
High	$V_{CTL\_H}$	+1.6	+1.8	+3.0	V	
Current on V1 pin	$I_{CTL}$			5	$\mu A$	
Supply current	$I_{DD}$		83	90	$\mu A$	$V_{DD} = 2.8 V, V1 = V_{CTL\_H}$
DC supply turn-on/turn-off time	$t_{on}$			10	$\mu s$	Measured from 50% of final $V_{DD}$ supply voltage to 90% of final RF power
RF path switching time	$t_{sw}$		1	2	$\mu s$	From one active state to another active state transition, measured from 50% of final control voltage to 90% of final RF power
Supply ripple	$V_{PP}$			20	mV <sub>pp</sub>	
<b>RF Specifications</b>						
Insertion loss (RF1 or RF2 to ANT pin)	IL		0.31 0.34 0.35		dB dB dB	700 to 960 MHz 1710 to 2170 MHz 2170 to 2690 MHz
Isolation (ANT to RF1 or RF2)	ISO	35 28 23	40 30 25		dB dB dB	700 to 960 MHz 1710 to 2170 MHz 2170 to 2690 MHz
Voltage Standing Wave Ratio, all ports	VSWR		1.25:1	1.5:1	-	Referenced to 50 $\Omega$ , 700 to 2690 MHz
0.1dB compression point ( from antenna to RF1 and RF2 )			35		dBm	700 to 2690 MHz

## Absolute Maximum Ratings

**Table 5. Maximum ratings**

Parameters	Symbol	Minimum	Maximum	Units
Supply voltage	$V_{DD}$	+2.5	+3.0	V
Digital control voltage	$V_{CTL}$	0	+3.0	V
RF input power	$P_{IN}$		+35	dBm
Operating temperature	$T_{OP}$	-30	+85	$^{\circ}C$
Storage temperature	$T_{STG}$	-55	+150	$^{\circ}C$
Electrostatic discharge: Human Body Model (HBM), Class 1C Machine Model (MM), Class A	ESD		1000 100	V V

**Note:** Exposure to maximum rating conditions for extended periods may reduce device reliability. There is no damage to device with only one parameter set at the limit and all other parameters set at or below their nominal value. Exceeding any of the limits listed here may result in permanent damage to the device.

Package Outline Dimension

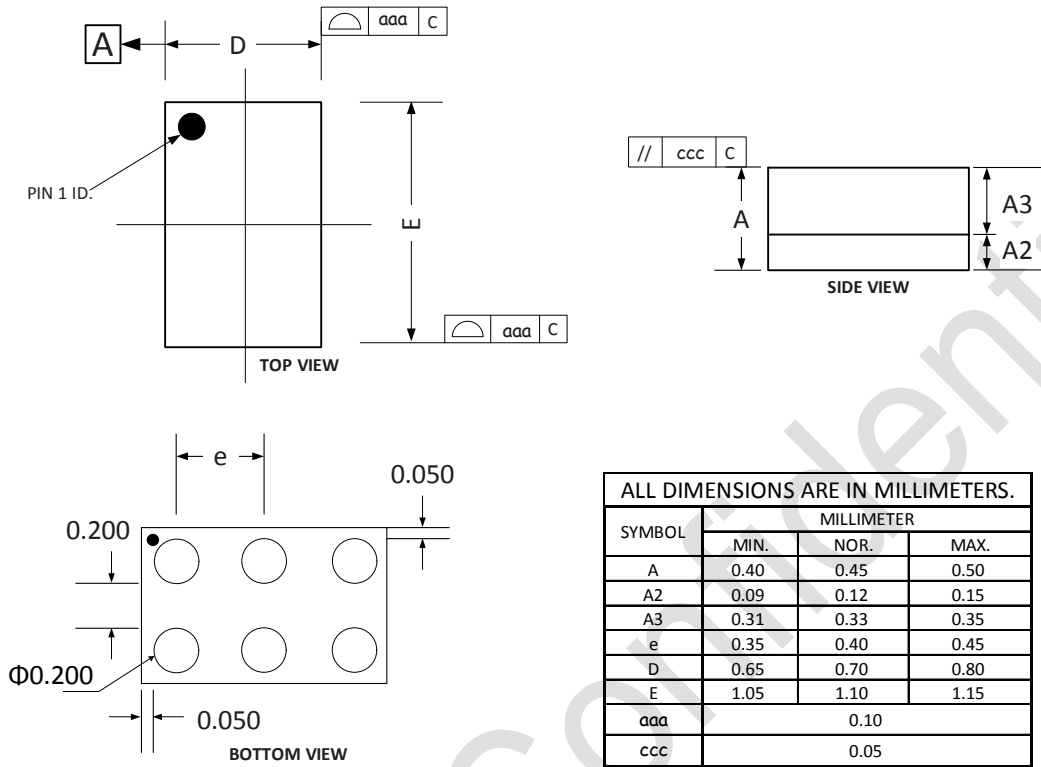


Figure 3. Package outline dimension

## Reflow Chart

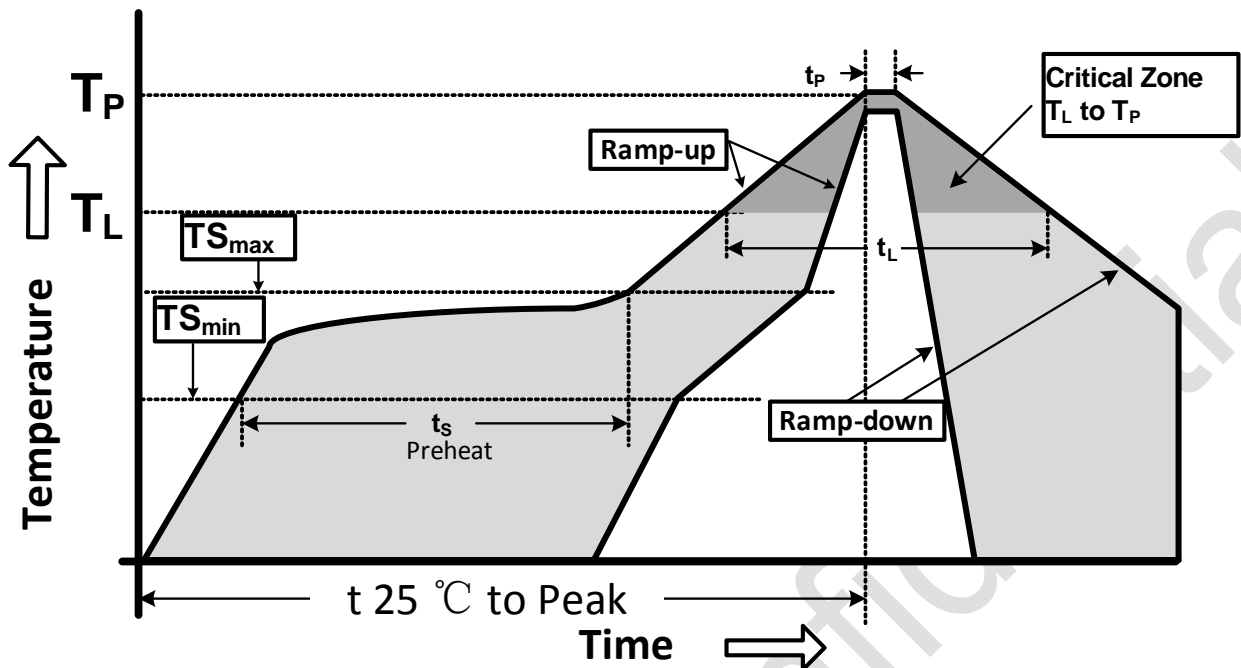


Figure 4. Recommended Lead-Free Reflow Profile

Table 6.

Profile Parameter	Lead-Free Assembly, Convection, IR/Convection
Ramp-up rate ( $TS_{max}$ to $T_p$ )	3°C/second max.
Preheat temperature ( $TS_{min}$ to $TS_{max}$ )	150°C to 200°C
Preheat time ( $t_s$ )	60 - 180 seconds
Time above $T_L$ , 217°C ( $t_L$ )	60 - 150 seconds
Peak temperature ( $T_p$ )	260°C
Time within 5°C of peak temperature( $t_p$ )	20 - 40 seconds
Ramp-down rate	6°C/second max.
Time 25°C to peak temperature	8 minutes max.

### ESD Sensitivity

Integrated circuits are ESD sensitive and can be damaged by static electric charge. Proper ESD protection techniques should be used when handling these devices.

### RoHS Compliant

This product does not contain lead, mercury, cadmium, hexavalent chromium, polybrominated biphenyls (PBB) and polybrominated diphenyl ethers (PBDE), and are considered RoHS compliant.

## X-ON Electronics

Largest Supplier of Electrical and Electronic Components

*Click to view similar products for [RF Switch ICs](#) category:*

*Click to view products by [Maxscend](#) manufacturer:*

Other Similar products are found below :

[MASW-007921-002SMB](#) [BGSA142GN12E6327XTSA1](#) [BGSA142MN12E6327XTSA1](#) [BGSA142M2N12E6327XTSA1](#) [MASW-004100-11930W](#) [MASW-008853-TR3000](#) [BGS13SN8E6327XTSA1](#) [BGSF18DM20E6327XUMA1](#) [BGSX210MA18E6327XTSA1](#) [BGSX212MA18E6327XTSA1](#) [SKY13446-374LF](#) [SW-227-PIN](#) [PE42524A-X](#) [CG2185X2](#) [CG2415M6](#) [MA4AGSW1A](#) [MA4AGSW2](#) [MA4AGSW3](#) [MA4AGSW5](#) [MA4SW210B-1](#) [MA4SW410](#) [MASW-002102-13580G](#) [BGS 12PL6 E6327](#) [BGS1414MN20E6327XTSA1](#) [BGS1515MN20E6327XTSA1](#) [BGSA11GN10E6327XTSA1](#) [BGSX28MA18E6327XTSA1](#) [HMC199AMS8](#) [HMC595AETR](#) [HMC986A](#) [SKY13374-397LF](#) [SKY13453-385LF](#) [CG2430X1-C2](#) [TGS4304](#) [UPG2162T5N-A](#) [CG2415M6-C2](#) [AS222-92LF](#) [SW-314-PIN](#) [UPG2162T5N-E2-A](#) [BGS18GA14E6327XTSA1](#) [MASWSS0204TR-3000](#) [MASWSS0201TR](#) [MASWSS0181TR-3000](#) [MASW-007588-TR3000](#) [MASW-007075-000100](#) [MASW-004103-13655P](#) [MASW-003102-13590G](#) [MASWSS0202TR-3000](#) [MASW-008543-TR3000](#) [MA4SW310B-1](#)