



MXD8680

SP8T Antenna Switch

This document contains information that is confidential and proprietary to Maxscend Technologies Inc. (Maxscend) and may not be reproduced in any form without express written consent of Maxscend. No transfer or licensing of technology is implied by this document.

General Description

The MXD8680 is a low loss, high isolation SP8T switch with performance for antenna diversity receiving.

The MXD8680 is compatible with +1.0V control logic, which is a key requirement for most cellular transceivers. This part is packaged in a compact 2mm x 2mm, 14-pin, QFN package which allows for a small solution size with no need for external DC blocking capacitors (when no external DC is applied to the device ports).

Features

- Excellent insertion loss
 - 0.6 dB Insertion Loss at 2.7GHz
- Multi-Band operation 100MHz to 3000MHz
- Compact 2mm x 2mm in QFN-14 package
- No DC blocking capacitors required (unless external DC is applied to the RF ports)

Applications

- 2G/3G/4G antenna diversity
- Cellular modems and USB Devices

Functional Block Diagram and Pin Function

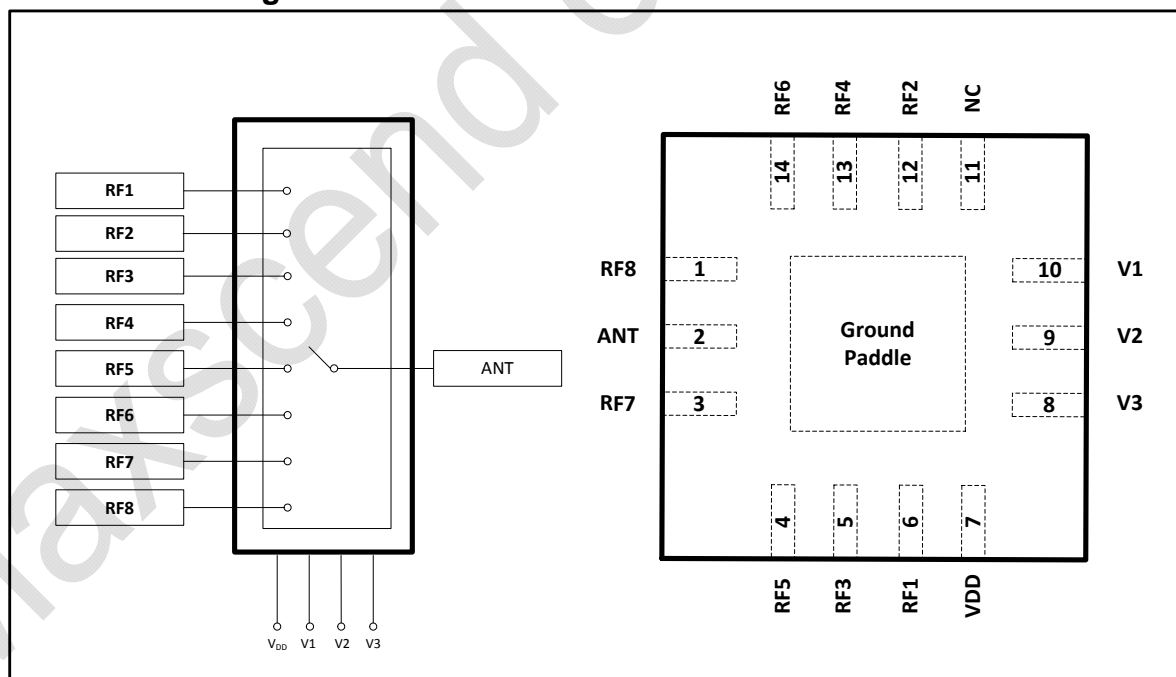


Figure 1 Functional Block Diagram and Pinout (Top View)

Application Circuit

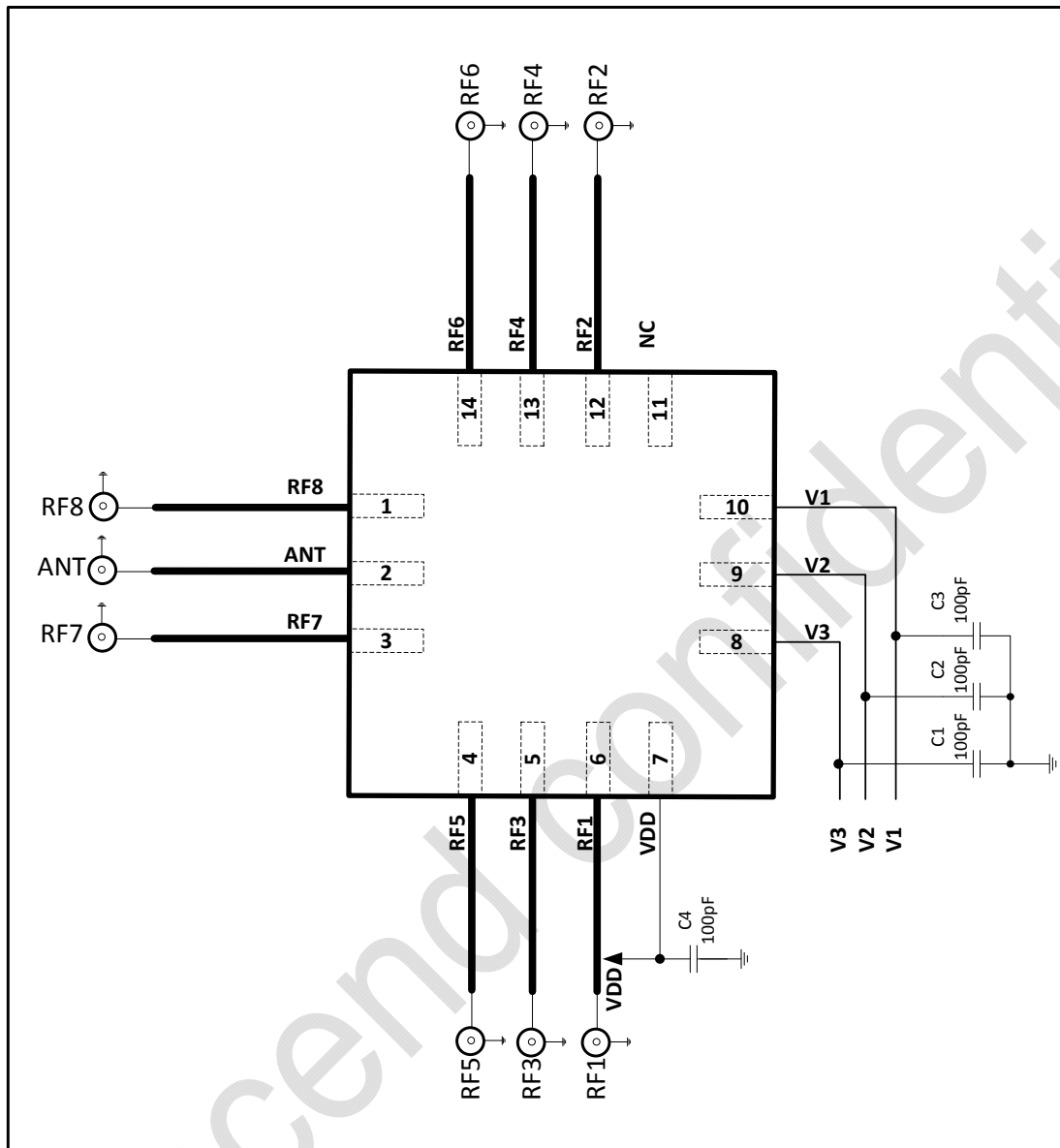


Figure 2 MXD8680 Evaluation Board Schematic

Table 1. Pin Description

Pin No.	Name	Description	Pin No.	Name	Description
1	RF8	RF port8	8	V3	Control logic 3#
3	ANT	Antenna port	9	V2	Control logic 2#
6	RF7	RF port7	10	V1	Control logic 1#
4	RF5	RF port5	11	NC	No connection
5	RF3	RF port3	12	RF2	RF port2
6	RF1	RF port1	13	RF4	RF port4
7	V _{DD}	Power supply	14	RF6	RF port6
Ground Paddle	GND	Ground			

Note: Bottom ground paddles must be connected to ground.

Truth Table

Table 2.

Control pins			Switched RF Outputs							
V1	V2	V3	RF1	RF2	RF3	RF4	RF5	RF6	RF7	RF8
0	0	0	Insertion Loss	Isolation	Isolation	Isolation	Isolation	Isolation	Isolation	Isolation
0	0	1	Isolation	Insertion Loss	Isolation	Isolation	Isolation	Isolation	Isolation	Isolation
0	1	0	Isolation	Isolation	Insertion Loss	Isolation	Isolation	Isolation	Isolation	Isolation
0	1	1	Isolation	Isolation	Isolation	Insertion Loss	Isolation	Isolation	Isolation	Isolation
1	0	0	Isolation	Isolation	Isolation	Isolation	Insertion Loss	Isolation	Isolation	Isolation
1	0	1	Isolation	Isolation	Isolation	Isolation	Isolation	Insertion Loss	Isolation	Isolation
1	1	0	Isolation	Isolation	Isolation	Isolation	Isolation	Isolation	Insertion Loss	Isolation
1	1	1	Isolation	Isolation	Isolation	Isolation	Isolation	Isolation	Isolation	Insertion Loss

Note: "1" = 1.0 V to 3.0 V. "0" = 0 V to 0.3 V.

Recommended Operation Range

Table 3. Recommended Operation Condition

Parameters	Symbol	Min	Typ	Max	Units
Operation Frequency	f1	0.1	-	3.0	GHz
Power supply	V _{DD}	2.5	2.8	3.0	V
Switch Control Voltage High	V _H	1.0	1.8	3.0	V
Switch Control Voltage Low	V _L	0	0	0.3	V

Specifications

Table 4. Electrical Specifications

Parameter	Symbol	Test Condition (Note 2)	Min	Typical	Max	Units
DC Specifications						
Supply voltage	VDD		2.5	2.8	3.0	V
Supply current	IDD			25	60	uA
Control voltage	VCTL_H VCTL_L		1.35	1.80	3.0 0.3	V V
Control current	ICTL	VCTL = 1.8 V		1.0	2.0	uA
Switching Speed, on RF to another		10% to 90% RF		1	2	uS
Turn-on time	ton	Time from VDD=0V to part ON and RF at 90%		5	10	uS
RF Specifications						
Insertion loss (ANT pin to all RF ports)	IL	0.1 to 1.0 GHz 1.0 to 2.0 GHz 2.0 to 2.7 GHz		0.35 0.45 0.60		dB dB dB
Isolation (ANT pin to all RF ports)	Iso	0.1 to 1.0 GHz 1.0 to 2.0 GHz 2.0 to 2.7 GHz	35 25 20	40 30 24		dB dB dB
Input return loss (ANT pin to all RF ports)	RL	0.1 to 1.0 GHz 1.0 to 2.0 GHz 2.0 to 2.7 GHz	20 15 12	25 20 15		dB dB dB
0.1 dB Compression Point (ANT pin to all RF ports)	P0.1dB	0.1 GHz to 3.0 GHz		+27		dBm

Absolute Maximum Ratings

Table 5. Maximum ratings

Parameters	Symbol	Minimum	Maximum	Units
Supply voltage	V_{DD}	+2.5	+3.0	V
Control voltage (V1, V2, and V3)	V_{CTL}	0	+3.0	V
RF input power	P_{IN}		+27	dBm
Operating temperature	T_{OP}	-20	+85	°C
Storage temperature	T_{STG}	-40	+125	°C
Electrostatic Discharge, Human Body Model (HBM), Class 1C	ESD		1000	V

Note: Exposure to maximum rating conditions for extended periods may reduce device reliability. There is no damage to device with only one parameter set at the limit and all other parameters set at or below their nominal value. Exceeding any of the limits listed here may result in permanent damage to the device

Package Outline Dimension

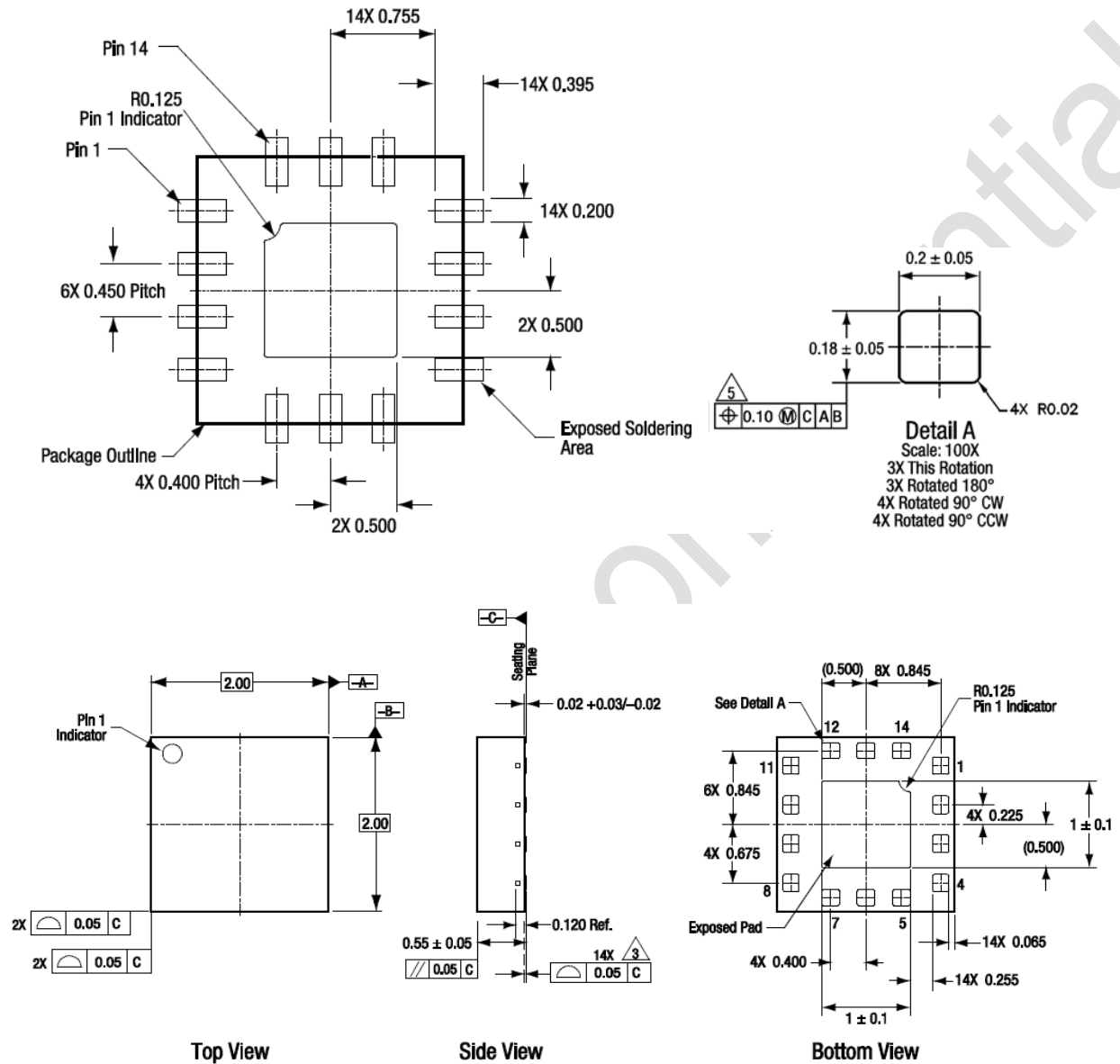


Figure 3 package outline dimension

Reflow Chart

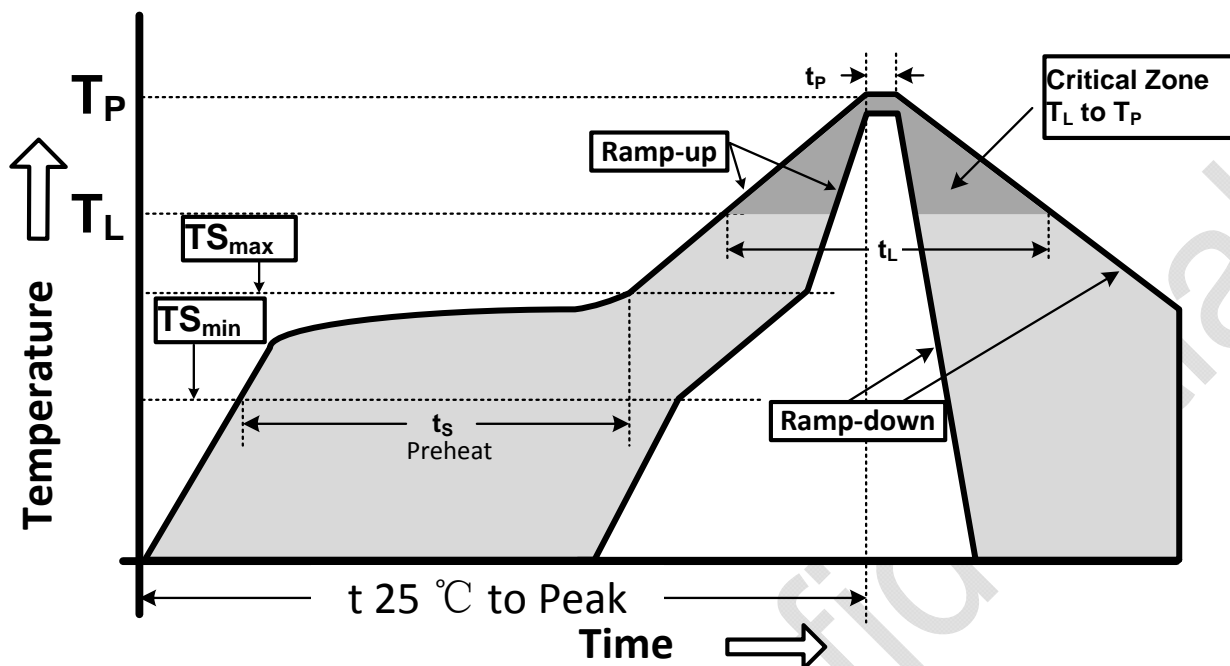


Figure 4 Recommended Lead-Free Reflow Profile

Table 6. Reflow condition

Profile Parameter	Lead-Free Assembly, Convection, IR/Convection
Ramp-up rate (TS_{max} to T_p)	3°C/second max.
Preheat temperature (TS_{min} to TS_{max})	150°C to 200°C
Preheat time (t_s)	60 - 180 seconds
Time above T_L , 217°C (t_L)	60 - 150 seconds
Peak temperature (T_p)	260°C
Time within 5°C of peak temperature(t_p)	20 - 40 seconds
Ramp-down rate	6°C/second max.
Time 25°C to peak temperature	8 minutes max.

ESD Sensitivity

Integrated circuits are ESD sensitive and can be damaged by static electric charge. Proper ESD protection techniques should be used when handling these devices.

RoHS Compliant

This product does not contain lead, mercury, cadmium, hexavalent chromium, polybrominated biphenyls (PBB) and polybrominated diphenyl ethers (PBDE), and are considered RoHS compliant.

X-ON Electronics

Largest Supplier of Electrical and Electronic Components

Click to view similar products for [RF Switch ICs](#) category:

Click to view products by [Maxscend](#) manufacturer:

Other Similar products are found below :

[MASW-008853-TR3000](#) [BGS13SN8E6327XTSA1](#) [BGSF18DM20E6327XUMA1](#) [BGSX210MA18E6327XTSA1](#) [SKY13446-374LF](#)
[CG2185X2](#) [CG2415M6](#) [MA4SW210B-1](#) [MA4SW410](#) [MA4SW410B-1](#) [MASW-002102-13580G](#) [MASW-008543-001SMB](#) [MASW-008955-TR3000](#) [TGS4307](#) [BGS 12PL6 E6327](#) [BGS1414MN20E6327XTSA1](#) [BGS1515MN20E6327XTSA1](#) [BGSA11GN10E6327XTSA1](#)
[BGSX28MA18E6327XTSA1](#) [SKY13374-397LF](#) [SKY13453-385LF](#) [CG2430X1-C2](#) [CG2415M6-C2](#) [AS222-92LF](#) [SW-314-PIN](#)
[UPG2162T5N-E2-A](#) [SKY13416-485LF](#) [MASWSS0204TR-3000](#) [MASWSS0201TR](#) [MASWSS0181TR-3000](#) [MASW-007588-TR3000](#)
[MASW-004103-13655P](#) [MASW-003102-13590G](#) [MASWSS0202TR-3000](#) [MASW-008543-TR3000](#) [MA4SW310B-1](#) [MA4SW310](#)
[MA4SW110](#) [SW-313-PIN](#) [CG2430X1](#) [SKYA21001](#) [BGSF 18DM20 E6327](#) [SKY13415-485LF](#) [MMS008PP3](#) [BGS13PN10E6327XTSA1](#)
[SKY13319-374LF](#) [BGS14PN10E6327XTSA1](#) [SKY12213-478LF](#) [BGSF1717MN26E6327XTSA1](#) [SKY13404-466LF](#)