



M1575HCT-22P-MR

HIGH PERFORMANCE PASSIVE GPS ANTENNA

Ordering Part #: 100-00042-01

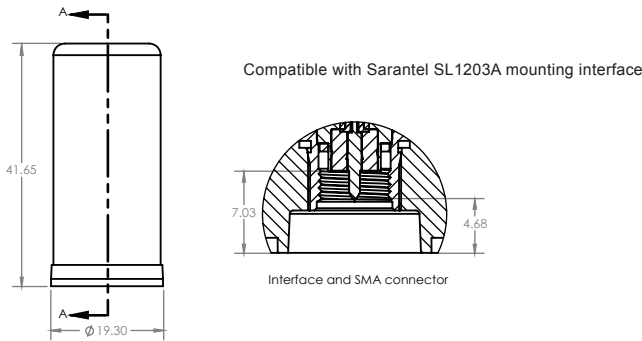


Description

The M1575HCT-22P-MR is a rugged high performance passive antenna designed for the GPS L1 band, and built on Maxtena proprietary Helicore® technology. This technology provides exceptional pattern control, polarization purity and high efficiency in a very compact form factor. The M1575HCT-22P-MR is a screw-on design, featuring an integrated SMA connector. The ultra light design is rated IP-67 when both mounted and unmounted for added protection. This product is designed for applications requiring high quality reception of GPS signals.

Mechanical Specifications

dimensions are in mm



Electrical Specifications

Parameter	Design Specifications
Frequency	1575 MHz
Polarization	RHCP
Antenna element peak gain	-0.5 dBic (typical)
Efficiency	25% (typical)
Bandwidth (-1dB)	20 MHz
Axial Ratio	1 dB (typical) / 1.5 dB (max)
VSWR	1.5 (max)
Impedance	50 Ohm
Operating temp.	from -40°C to 85°C
RF connector	SMA
Overall dimensions	41.65 mm (height) x 19.30 mm (diameter)
Weight	10 grams

Features

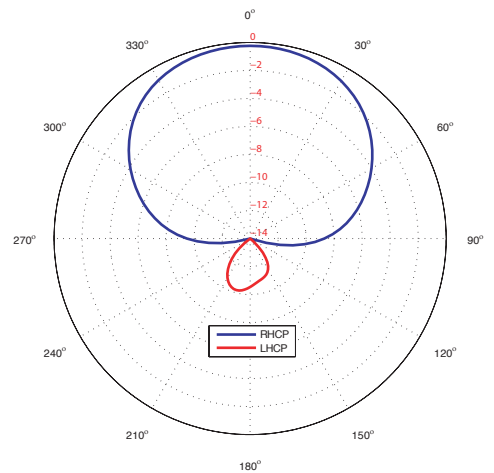
- GPS band
- Very low axial ratio
- IP-67 mounted and unmounted
- Ultra light weight - 10 grams
- Ground plane independent

Applications

- Vehicle and fleet tracking
- Military & security
- Asset tracking
- Seismic recording instruments
- Oil & gas industries
- Navigation devices
- Mining equipment
- LBS & M2M applications
- Handheld devices

Realized gain plot

Measured at 1575 MHz



X-ON Electronics

Largest Supplier of Electrical and Electronic Components

Click to view similar products for [Antennas](#) category:

Click to view products by [Maxtena](#) manufacturer:

Other Similar products are found below :

[000-16050](#) [001-0001](#) [001-0002](#) [001-0002](#) [001-0011](#) [001-0014](#) [001-0016](#) [001-0021](#) [001-0022](#) [001-0023](#) [001-0034](#) [0433AT62A0020E](#) [0600-00012](#) [0600-00019](#) [0600-00020](#) [0600-00024](#) [0600-00025](#) [0600-00028](#) [0600-00030](#) [0600-00039](#) [0600-00040](#) [0600-00048](#) [0600-00057](#) [0600-00060](#) [0830AT54A2200E](#) [0868AT43A0020E](#) [090-03390-202](#) [0900AD47A2450E](#) [0900AD54B2450E](#) [0900AT43A0070E](#) [0915AT43A0026E](#) [1000146](#) [1000418](#) [1000423](#) [1001011](#) [1001013](#) [1001039](#) [1001312](#) [1001388](#) [1001430](#) [1001932FT-AA10L0150](#) [1001932FT-AA10L0200](#) [1001932PT-AA10L0100](#) [1002089](#) [1002232](#) [1002289F0-AA10L0200](#) [1002292](#) [1002295](#) [1002298](#) [1002427](#)