



# M1590HCT-LP-MM

INMARSAT MAGNET MOUNT LOW-PROFILE  
ANTENNA

Part #: 100-00183-02

## Description

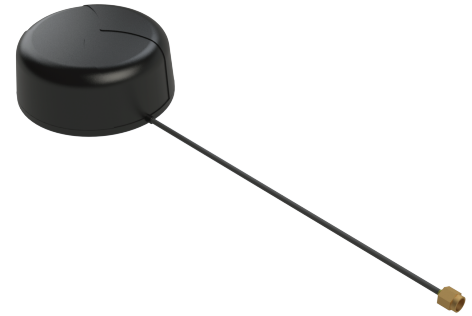
The M1590 HCT-LP-MM is a high-performance low-profile antenna designed for the Inmarsat network, and built on proprietary Maxtena Helicore® Technology. The Helicore® technology provides exceptional pattern control, polarization purity and high efficiency in a very rugged and compact form factor. The omnidirectional antenna pattern allows this antenna to be easily installed in any location. The antenna features a custom cable and SMA connector and is design to be magnet mounted onto any surface. The antenna is IP67 rated and optimized for harsh environments on both land and maritime applications.

## Electrical Specifications

Parameter	Specification
Frequency Range	1525-1560MHz, 1625-1660MHz
Polarization	RHCP
Antenna Peak Gain	2 dBic
Peak Efficiency	60%
Beamwidth	157°
VSWR	2.0:1
Impedance	50 Ω

## Mechanical Specification

Parameter	Specification
Antenna Dimensions	Φ 84 x 37.4mm
Weight	134 g
Operating Temperature	-40°C to 85°C
RF Connector	SMA
Environmental	IP66 and RoHS Compliant



## Features

- Optimized for the Inmarsat Network
- IP66 and ROHS compliant
- Ground plane independent
- High gain & low axial ratio
- Magnet Mount
- Low profile

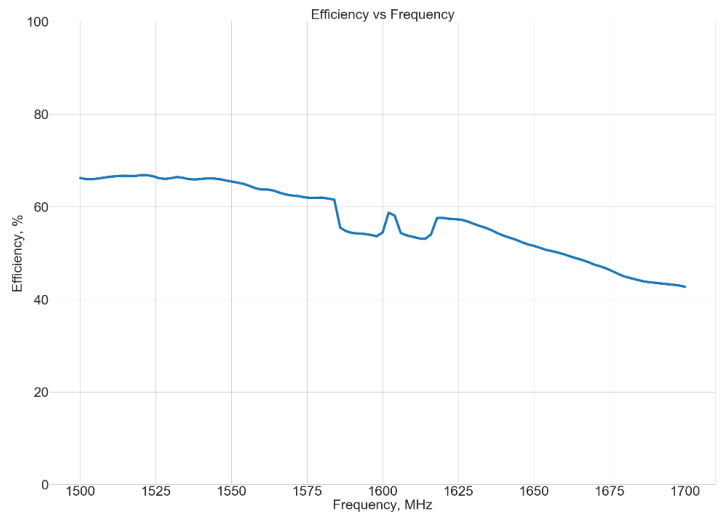
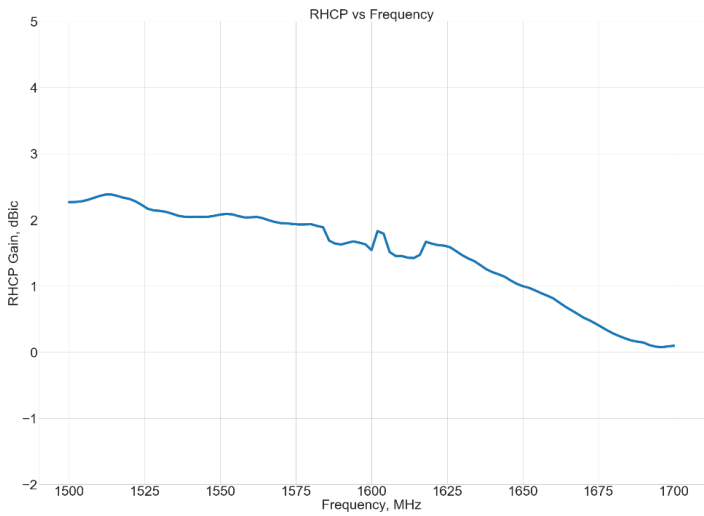
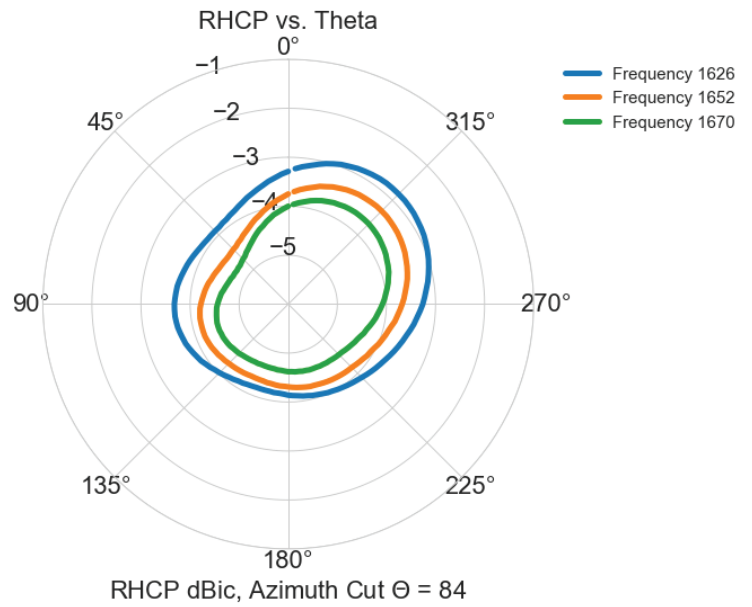
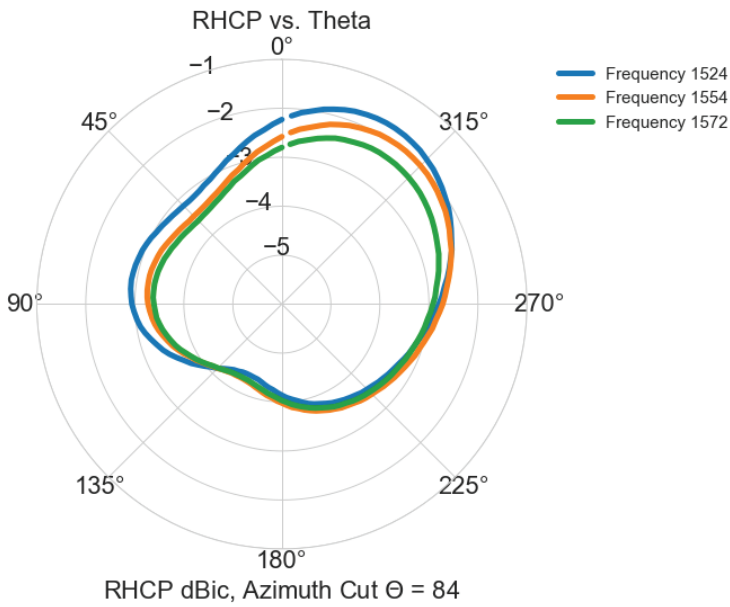
## Applications

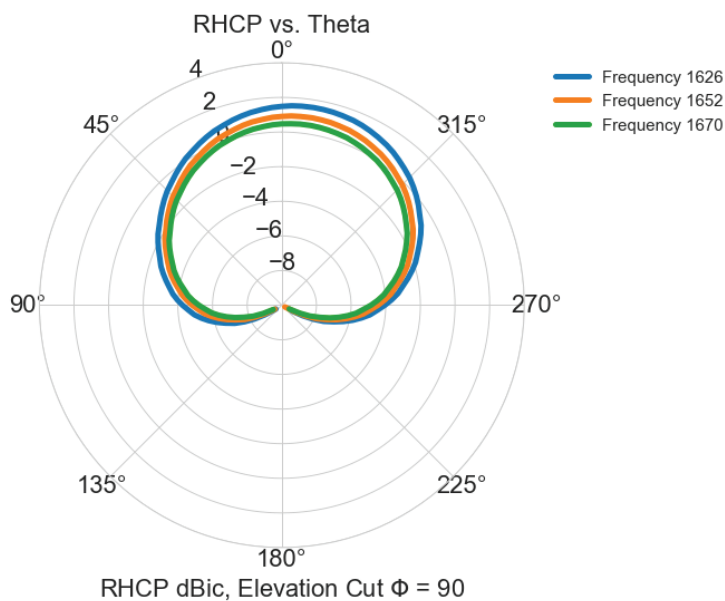
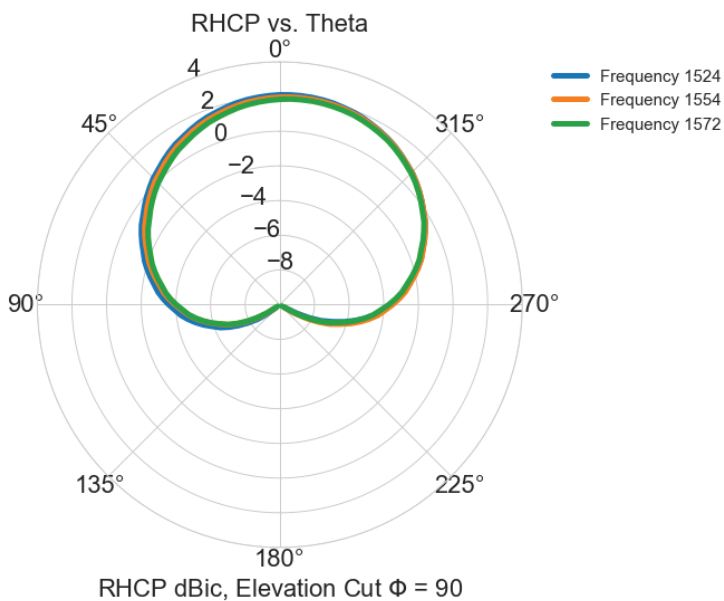
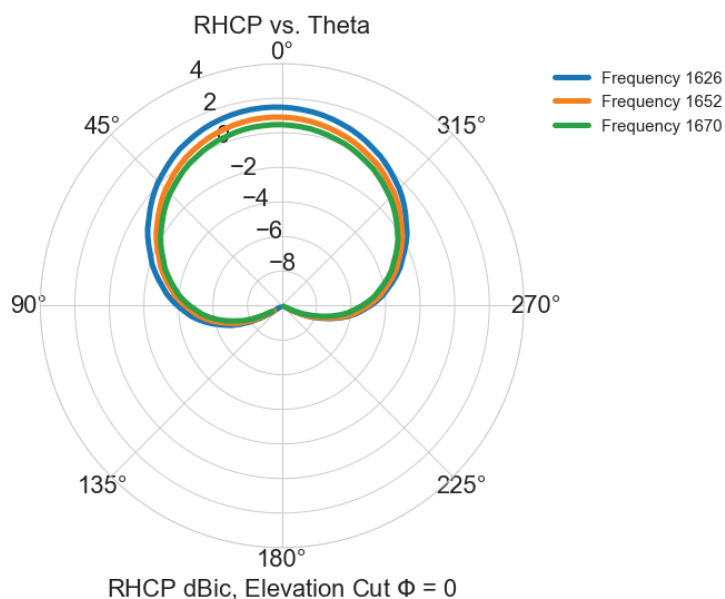
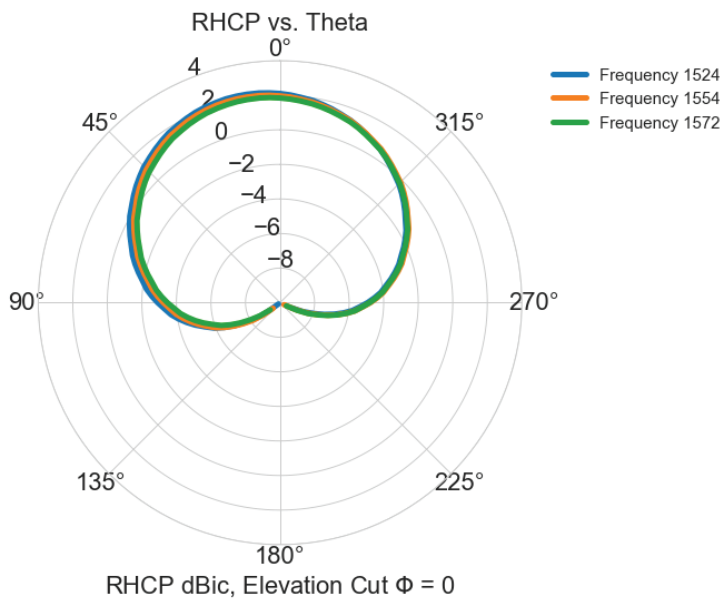
- Inmarsat IOT Applications
- Vehicle and fleet tracking
- Military & security
- Asset tracking
- Oil & gas industries
- Navigation devices
- Mining equipment
- LBS & M2M applications
- Law enforcement



Maxtena Inc.  
7361 Calhoun Place, Suite 102  
Rockville, MD 20855  
1-877-629-8362  
info@maxtena.com

[www.maxtena.com](http://www.maxtena.com)





8

7

6

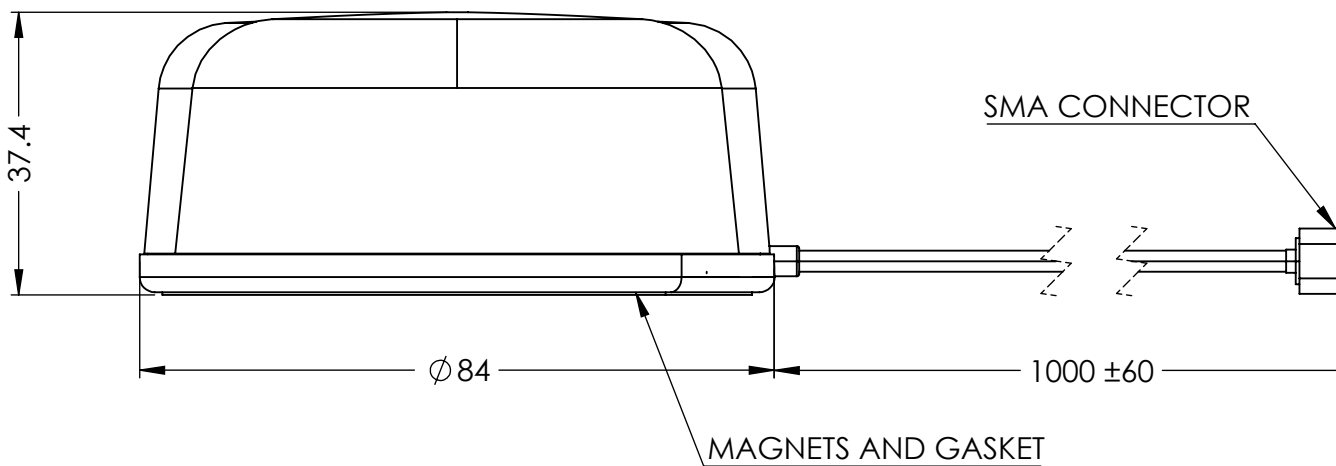
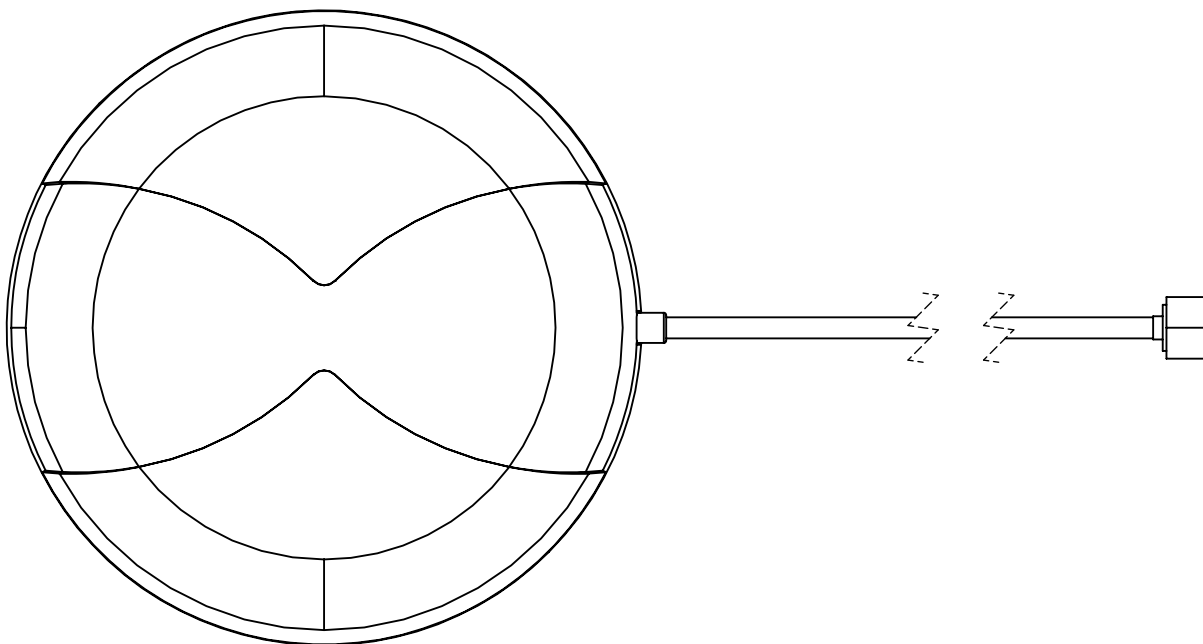
5

D

C

B

A



ITEM 100-00183-02 REVISION HISTORY			
REV	DESCRIPTION	DATE	BY
1	INITIAL RELEASE	2021-06-22	SZ

PROPRIETARY AND CONFIDENTIAL

THE INFORMATION CONTAINED IN THIS DRAWING IS THE SOLE PROPERTY OF MAXTENA, INC. ANY REPRODUCTION IN PART OR AS A WHOLE WITHOUT THE WRITTEN PERMISSION OF MAXTENA, INC IS PROHIBITED.

8

7

6

5

## X-ON Electronics

Largest Supplier of Electrical and Electronic Components

*Click to view similar products for [Antennas](#) category:*

*Click to view products by [Maxtena](#) manufacturer:*

Other Similar products are found below :

[000-16050](#) [001-0001](#) [001-0002](#) [001-0002](#) [001-0011](#) [001-0014](#) [001-0016](#) [001-0021](#) [001-0022](#) [001-0023](#) [001-0034](#) [0433AT62A0020E](#) [0600-00012](#) [0600-00019](#) [0600-00020](#) [0600-00024](#) [0600-00025](#) [0600-00028](#) [0600-00030](#) [0600-00039](#) [0600-00040](#) [0600-00048](#) [0600-00057](#) [0600-00060](#) [0830AT54A2200E](#) [0868AT43A0020E](#) [090-03390-202](#) [0900AD47A2450E](#) [0900AD54B2450E](#) [0900AT43A0070E](#) [0915AT43A0026E](#) [1000146](#) [1000418](#) [1000423](#) [1001011](#) [1001013](#) [1001039](#) [1001312](#) [1001388](#) [1001430](#) [1001932FT-AA10L0150](#) [1001932FT-AA10L0200](#) [1001932PT-AA10L0100](#) [1002089](#) [1002232](#) [1002289F0-AA10L0200](#) [1002292](#) [1002295](#) [1002298](#) [1002427](#)