

# M1621HCT-P-SMA

## IRIDIUM CERTIFIED PASSIVE ANTENNA

Ordering Part #: 100-00003-02



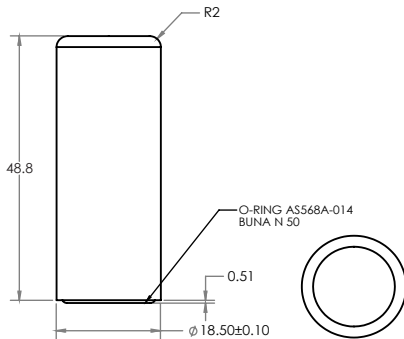
### Description

The M1621HCT-P-SMA is a high performance antenna designed for the Iridium network, and built on proprietary Maxtena HeliCore® technology. This technology provides exceptional pattern control, polarization purity and high efficiency in a very compact form factor. The M1621HCT-P-SMA is a screw-on design, featuring an integrated SMA connector and is rated IP-67 when both mounted and unmounted for added protection. This product is designed for applications requiring high quality reception and is ideal when:

- the orientation of the unit containing the antenna is random;
- the unit is used in harsh environments;
- the antenna is mounted externally and in close proximity to other antennas.

### Mechanical Specifications

dimensions are in mm



### Electrical Specifications

Parameter	Design Specifications
Frequency	1616-1626 MHz
Polarization	RHCP
Antenna element peak gain	2.8 dBic (typical)
Efficiency	60%
Bandwidth (-1dB)	20 MHz
Axial Ratio	0.2 dB (typical) / 0.5 dB (max)
VSWR	1.5 (max)
Impedance	50 Ohm
Operating temp.	from -40°C to 85°C
RF connector	SMA

### Features

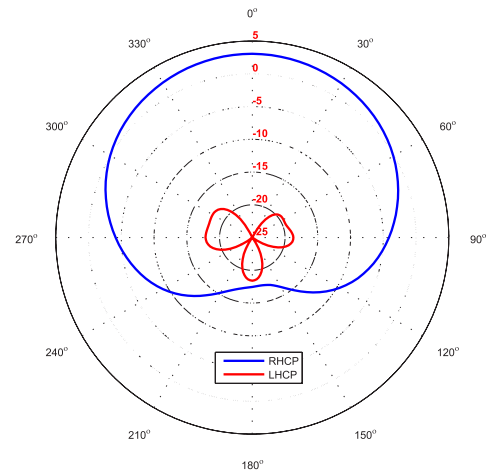
- Optimized for Iridium network
- Very low axial ratio
- IP-67 mounted and unmounted
- Ultra light weight
- Ground plane independent

### Applications

- Vehicle and fleet tracking
- Military & security
- Asset tracking
- Iridium (SBD) Short Burst Data
- Oil & gas industries
- Navigation devices
- Mining equipment
- LBS & M2M applications
- Handheld devices
- Law enforcement

### Realized gain plot

Measured at 1621 MHz



## X-ON Electronics

Largest Supplier of Electrical and Electronic Components

*Click to view similar products for [Antennas](#) category:*

*Click to view products by [Maxtena](#) manufacturer:*

Other Similar products are found below :

[GAN30084EU](#) [930-033-R](#) [GW17.07.0250E](#) [1513563-1](#) [EXE902SM](#) [APAMPG-117](#) [MAF94383](#) [W3908B0100](#) [W6102B0100](#) [YE572113-30RSMM](#) [108-00014-50](#) [66089-2406](#) [A09-F8NF-M](#) [A09-F5NF-M](#) [RGFRA1903041A1T](#) [W3593B0100](#) [W3921B0100](#) [SIMNA-868](#) [SIMNA-915](#) [SIMNA-433](#) [W1044](#) [W1049B090](#) [WTL2449CQ1-FRSMM](#) [CPL9C](#) [EXB148BN](#) [0600-00060](#) [TRA9020S3PBN-001](#) [GD5W-28P-NF](#) [MA9-7N](#) [GD53-25](#) [GD5W-21P-NF](#) [EXB144SM](#) [C37](#) [MAF94051](#) [GD35-17P-NF](#) [P1744](#) [MA9-5N](#) [EXD420PL](#) [B1322NR](#) [QWFTB120](#) [MAF94271](#) [MAF94300](#) [GPSMB301](#) [FG4403](#) [AO-AGSM-OM54](#) [5200232](#) [MIKROE-2349](#) [WCM.01.0111](#) [MIKROE-2393](#) [MIKROE-2352](#)