



# M9HCT-A-SMA

L1: GPS, GLONASS, GALILEO, BEIDOU  
L2: GPS L2C, GALILEO E5B, GLONASS L30C  
L5: GPS  
L-band  
Part #: 100-00174-01



## Description

The M9HCT-A-SMA is an active multi-frequency, high-accuracy, GNSS antenna for the L1/L2/L5 GPS, Galileo, Beidou, GLONASS bands, and as well as L-band correction services. The antenna is designed for applications requiring greater accuracy than L1-only antennas can provide. The antenna is built on proprietary Maxtena Helicore® technology providing exceptional pattern control, polarization purity and high-efficiency in a compact form factor. It features an integrated SMA connector and rugged IP67 automotive grade components. The M9HCT-A-SMA is ideal for applications requiring minimal integration effort or for retrofitting existing products. The antenna is equipped with an O-ring.

## Passive Antenna Performance (L2, B2, G2, G3, E5B)

Parameter	Specification
Frequency	1192-1231 MHz
Peak Efficiency	46%
Polarization	RHCP
Realized Gain	1.1 dB
Axial Ratio	Max 1.2 dB at the Zenith
VSWR	Max 2:1
Beamwidth	135°

## Passive Antenna Performance (L1, E1, B1, B1-2, G1)

Parameter	Specification
Frequency	1559-1606 MHz (L1, E1,
Peak Efficiency	49%
Polarization	RHCP
Realized Gain	0.5 dB
Axial Ratio	Max 0.9 dB at the Zenith
VSWR	Max 2:1
Beamwidth	125°

## Passive Antenna Performance (L5)

Parameter	Specification
Frequency	1164-1189 MHz (L5)
Peak Efficiency	40%
Polarization	RHCP
Realized Gain	0.5 dB
Axial Ratio	1.1 dB at the Zenith
VSWR	Max 1:1
Beamwidth	112°

## Features

- GNSS/QZSS-L1/L2, QZSS-L6, GLONASS-G1/G2, Galileo-E1/E6, BeiDou-B1/B3 + L-band
- Rugged IP67 rating with SMA mount
- Small form factor
- Ground Plane Independent
- GIS, RTK and other high accuracy GNSS applications
- Low power consumption
- Low phase center variation over azimuth and elevation and among different samples
- Ultra-lightweight
- Automotive grade electronics

## Applications

- Autonomous unmanned aerial vehicles (UAVs)
- GNSS positioning
- GNSS timing
- Sea and land container tracking
- Fleet management and asset tracking
- Marine and avionics systems
- Law enforcement
- Public safety



Maxtena Inc.  
7361 Calhoun Place, Suite 102  
Rockville, MD 20855  
1-877-629-8362  
info@maxtena.com

[www.maxtena.com](http://www.maxtena.com)

### L-band corrections services:

Parameter	Specification
Frequency	1539 - 1559 MHz
Gain	1.5 dB
Axial Ratio	≤ 0.5

### Phase Center Variation

Maximum Phase Center Variation	
In azimuth plane	Max 10 mm
As low as 40 degree elevation	Max 10 mm
Between samples	Max 5 mm
Over frequency band	Max 10 mm

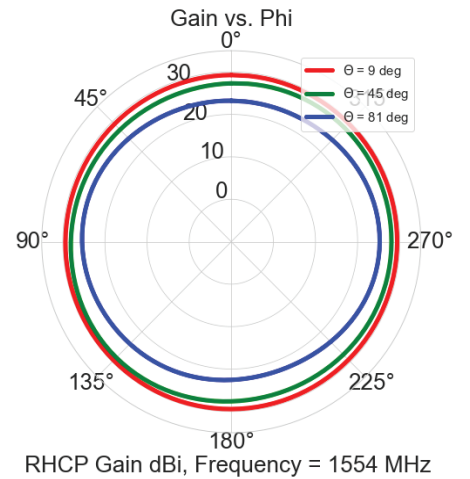
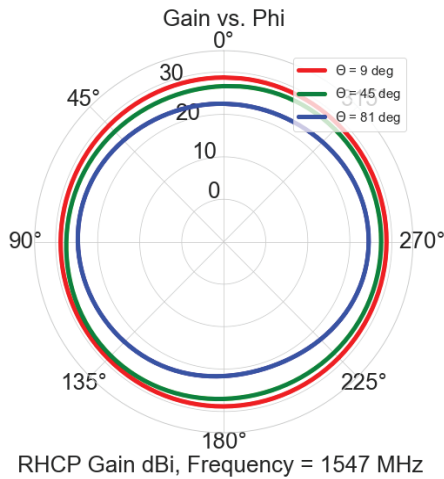
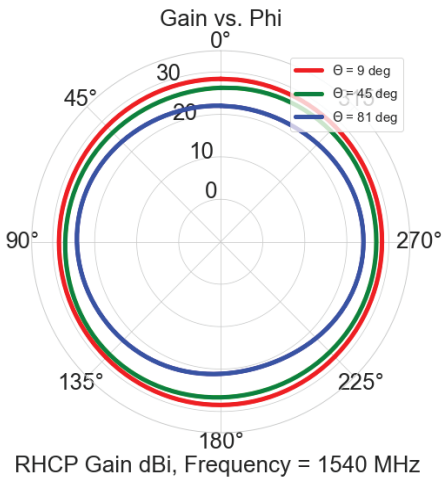
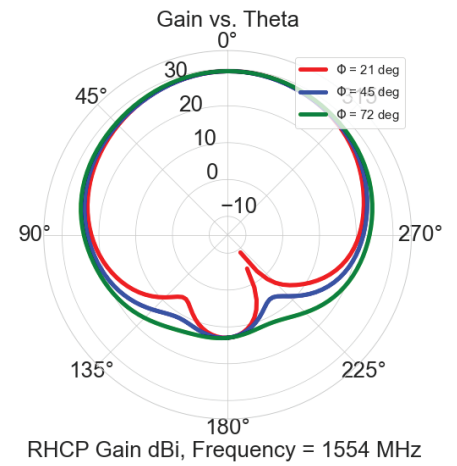
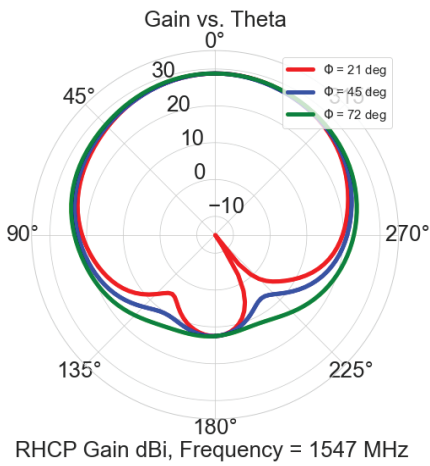
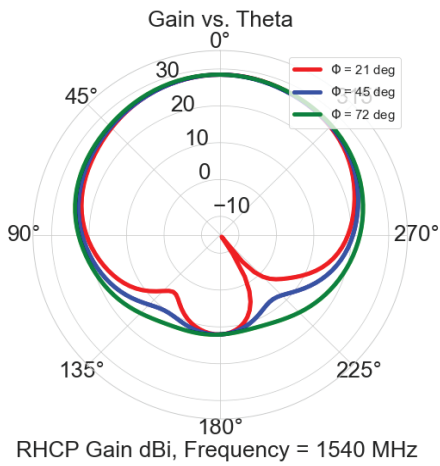
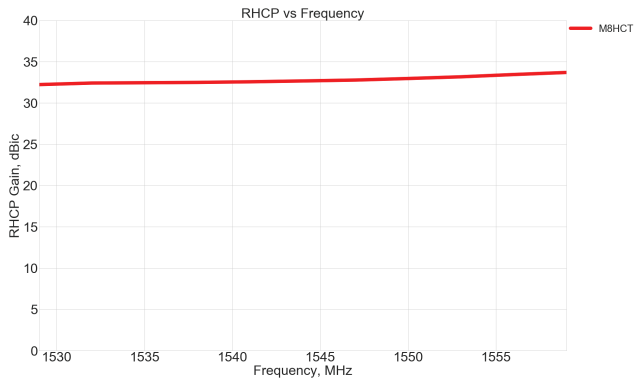
### RF Specifications

Parameter	Specification
Conducted Gain	30 ± 3 dBi
Noise Figure	1.5 dB typical, 2 dB max
Voltage	3.0 to 5.0 V
Current	25 mA max
Out of Band Rejection	40 dBc
Group Delay Variation	Less than 5ns over GNSS bands
EMI Immunity Out of Band	30 V/m
ESD Circuit Protection	15 kv human body model air discharge

### Mechanical Specifications

Parameter	Specification
Operating Temperature Range	Ø 34 x 51 mm
Environmental Standards	IP67 rating
Operating Temperature Range	-40 to +105°C
Cabling and Connector	No cable, male SMA connector



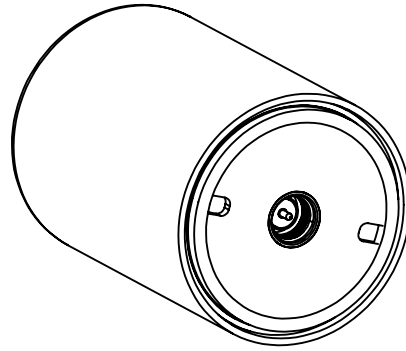
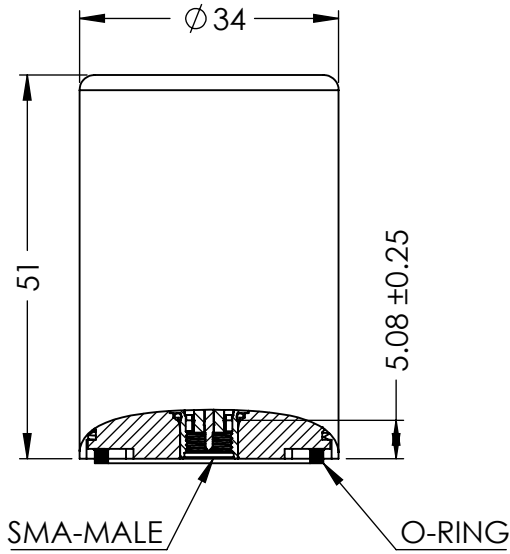


D

C

B

A



NOTES:

- 1. CONNECTOR TYPE: SMA-MALE.
- 2. HOUSING MATERIA: ABS/PC.
- 3. COLAR: BLACK.
- 4. DUST AND WATER-RESISTANCE: IP67.
- 5. RECOMMEND A 4.9MM MOUNTING HEIGHT FOR MOUNTING INTERFACE SEALING AND ELECTRICAL CONNECTION
- 6. ASSEMBLY TORQUE SHALL BE NO MORE THAN 8 IN\*LB

ITEM 100-00174-01 REVISION HISTORY			
REV	DESCRIPTION	DATE	BY
A	INITIAL RELEASE	2021-06-09	MP

PROPRIETARY AND CONFIDENTIAL

THE INFORMATION CONTAINED IN THIS DRAWING IS THE SOLE PROPERTY OF MAXTENA, INC. ANY REPRODUCTION IN PART OR AS A WHOLE WITHOUT THE WRITTEN PERMISSION OF MAXTENA, INC IS PROHIBITED.

## X-ON Electronics

Largest Supplier of Electrical and Electronic Components

*Click to view similar products for [Antennas](#) category:*

*Click to view products by [Maxtena](#) manufacturer:*

Other Similar products are found below :

[GAN30084EU](#) [930-033-R](#) [GW17.07.0250E](#) [1513563-1](#) [EXE902SM](#) [APAMPG-117](#) [MAF94383](#) [W3908B0100](#) [W6102B0100](#) [YE572113-30RSMM](#) [108-00014-50](#) [66089-2406](#) [A09-F8NF-M](#) [A09-F5NF-M](#) [RGFRA1903041A1T](#) [W3593B0100](#) [W3921B0100](#) [SIMNA-868](#) [SIMNA-915](#) [SIMNA-433](#) [W1044](#) [W1049B090](#) [WTL2449CQ1-FRSMM](#) [CPL9C](#) [EXB148BN](#) [0600-00060](#) [TRA9020S3PBN-001](#) [GD5W-28P-NF](#) [MA9-7N](#) [GD53-25](#) [GD5W-21P-NF](#) [EXB144SM](#) [C37](#) [MAF94051](#) [GD35-17P-NF](#) [P1744](#) [MA9-5N](#) [EXD420PL](#) [B1322NR](#) [QWFTB120](#) [MAF94271](#) [MAF94300](#) [GPSMB301](#) [FG4403](#) [AO-AGSM-OM54](#) [5200232](#) [MIKROE-2349](#) [WCM.01.0111](#) [MIKROE-2393](#) [MIKROE-2352](#)