



MEA-1400-SM

GNSS/L1L5 Screw Mount
Part #: 100-00165-01



Description

The MEA-1400-SM Screw Mount Antenna is a 2-in-1 antenna solution, with high gain and efficiency ideal for maintaining constant global connectivity. The MEA-1400-SM covers all GPS/GLONASS/Galileo and L1 L5 frequencies. This is an ideal antenna for telematics systems, remote surveillance, asset tracking and any IOT system applications. The high performance and low profile make this antenna ideal for the most challenging installations. This screw mount antenna is easy to install with maximum durability. The MEA-1400-SM has one cable with a SMA-Male standard connector, 3m standard cable length and is fully customizable by offering additional connector types, cable lengths and cable types. This antenna is low profile, rugged and IP67 rated.

Electrical Specifications

Parameter	Specification	
Frequency Range	1176.45 MHz	1561.09,1575.42,1602 MHz
Bandwidth	1176 MHz	1561-1606 MHz
Return Loss	-12.8 dB	-12.6 dB
VSWR	1.8:1	1.6:1
Efficiency	60.6%	68.6%
Passive Peak Gain	3.1 dBi	4.2 dBi
Average Gain	-1.8 dB	-1.5 dB
Impedance	50 Ω	
Radiation Pattern	Hemispherical	
Axial Ratio	≤ 3 dB	
Polarization	RHCP	
Voltage Range	1.5 - 6 V	
Active Gain	28 dB @ 3V	
Noise Figure	1.6 dB @ 3V	
Current Consumption	16 mA @ 3V	
Power Consumption	48 mW @ 3V	
Saw Filter Type	Pre-Filter	
Out of Band Rejection	40 dB	
ESD Protection	2 kV	

Features

- GNSS L1/L55
- High Precision Navigation
- Screw Mount
- Low Profile
- Low Noise Figure
- Low Power Consumption
- Anti-Rotation Mechanism
- Customizable Cable and Connector
- Dimensions 80 × 74 × 25.6 mm
- IP67, IP69

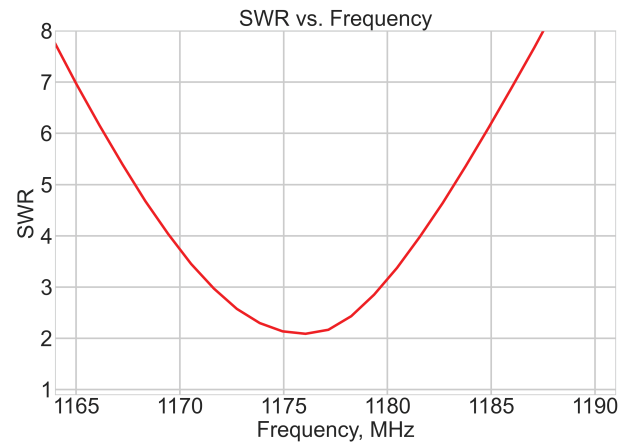
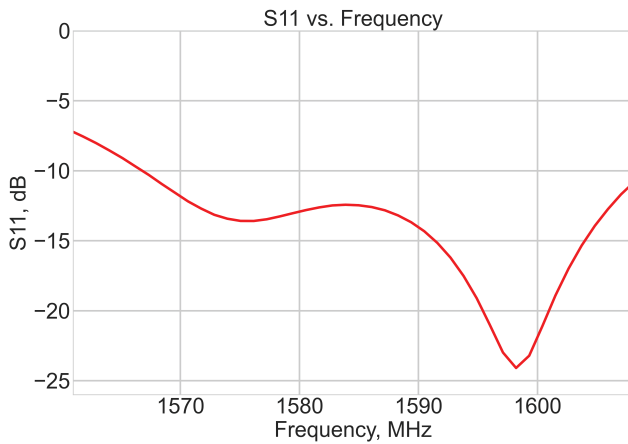
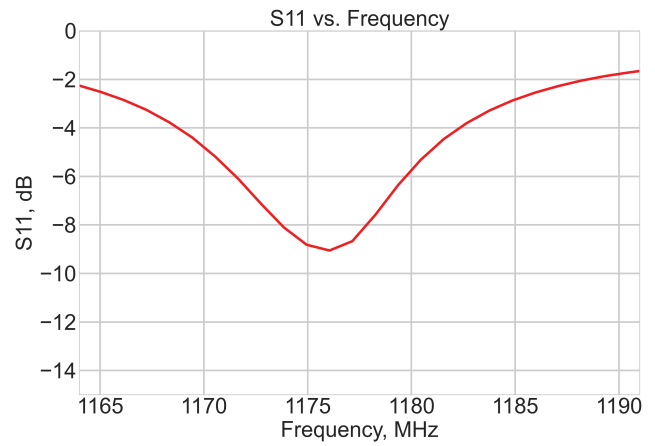
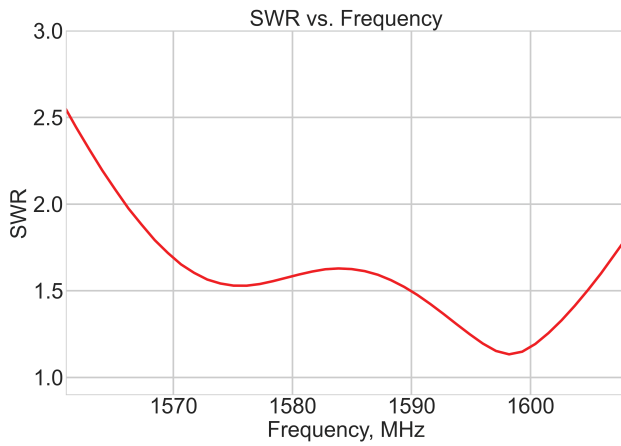
Applications

- Asset Tracking
- Telematics
- Container & Logistics
- Automotive
- Industrial Applications
- IOT Applications

Mechanical Specification

Parameter	Specification
Antenna Dimensions	80 × 74 × 25.6 mm
Operating Temperature	-40°C to 85°C
Connector Type	SMA-Male Standard
Mounting Type	Screw Mount
Radome	ASA UV Stable
Radome color	Black, White
Substance Compliance	RoHS
Certificates	IP67, IP69

*Mounted on Ground Plane of 30 x 30 cm



NOTES:

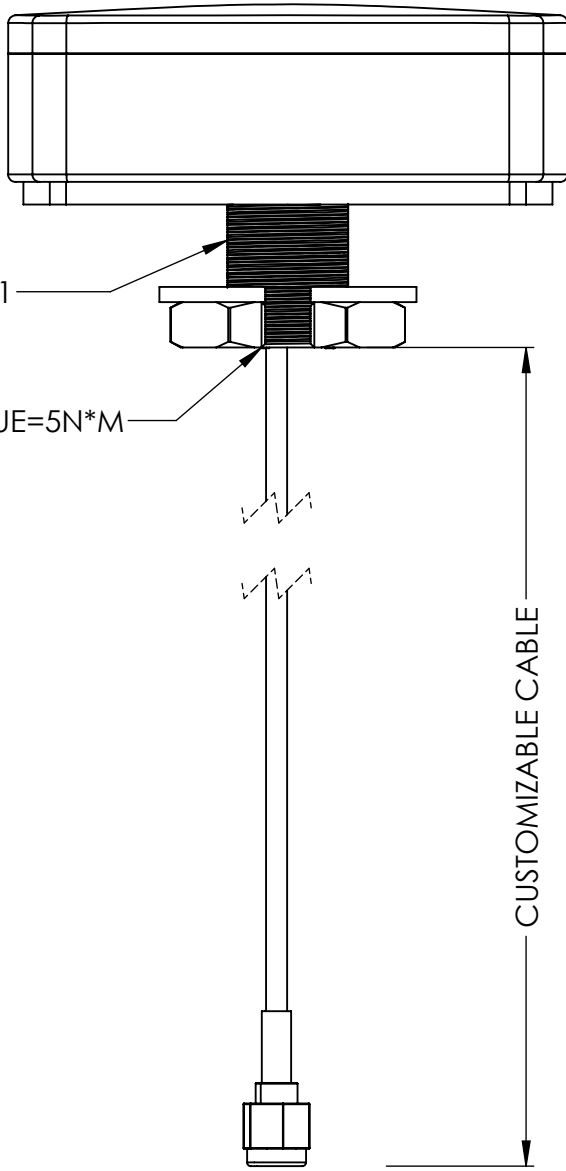
- 1. FREQUENCY (GPS/GLONASS/BeiDou/QZSS/Galileo/IRNSS/SBAS/L1L5): 1164 - 1191 AND 1563-1608 MHz
- 2. DIMENSIONS ARE AFTER MOUNTING
- 3. Max. MOUNTING THICKNESS: 12MM
- 4. CUSTOMIZABLE CABLE AND CONNECTOR TYPE
- 5. CUSTOMIZABLE RADOME COLOR: BLACK or WHITE
- 6. MECHANICAL:
 - MOUNTING TYPE: SCREW MOUNT
 - RADOME MATERIAL: ASA UV STABLE
 - OPERATING TEMPERATURE: -40 °C ~ 85 °C
 - STORAGE TEMPERATURE: -40 °C ~ 85 °C
 - CERTIFICATES: IP67, IP69

D

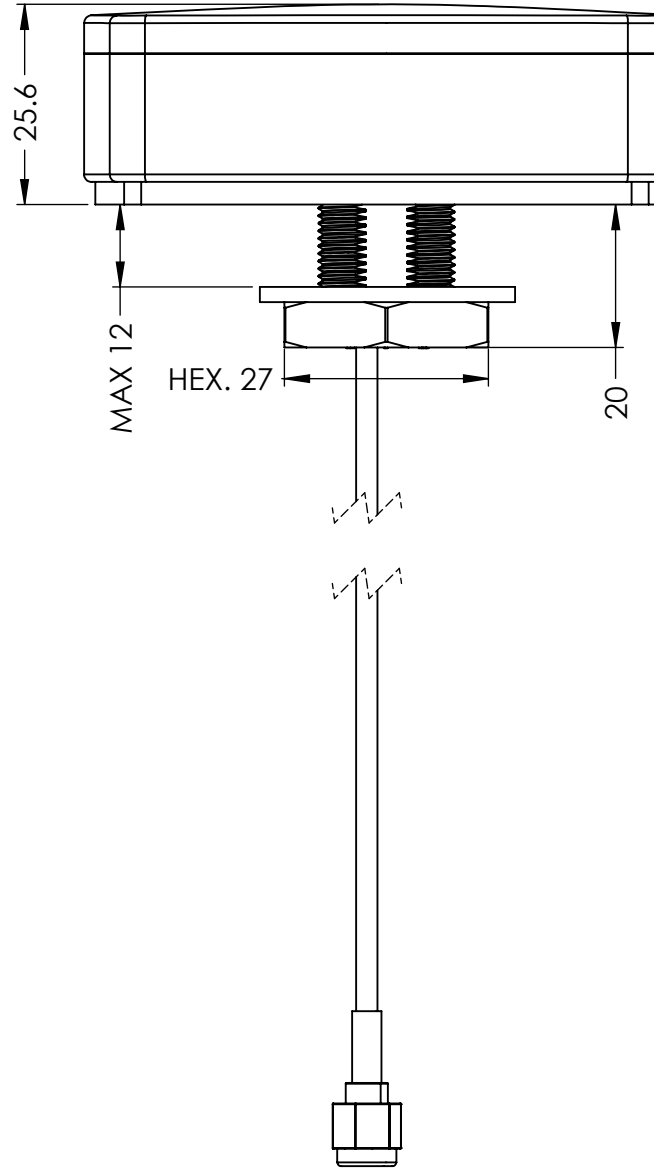
C

B

A



FRONT



RIGHT

ITEM 100-00165 REVISION HISTORY			
REV	DESCRIPTION	DATE	BY
A	INITIAL RELEASE	2021-06-17	SZ

100-00165 CONFIGURATION TABLE				
DASH NO	CABLE TYPE	CABLE LENGTH	CONNECTOR TYPE	RADO COLOR
-01	LL100	300 cm	SMA-MALE	BLACK

PROPRIETARY AND CONFIDENTIAL

THE INFORMATION CONTAINED IN THIS DRAWING IS THE SOLE PROPERTY OF MAXTENA, INC. ANY REPRODUCTION IN PART OR AS A WHOLE WITHOUT THE WRITTEN PERMISSION OF MAXTENA, INC IS PROHIBITED.

X-ON Electronics

Largest Supplier of Electrical and Electronic Components

Click to view similar products for [Antennas](#) category:

Click to view products by [Maxtena](#) manufacturer:

Other Similar products are found below :

[GAN30084EU](#) [930-033-R](#) [GW17.07.0250E](#) [1513563-1](#) [EXE902SM](#) [APAMPG-117](#) [MAF94383](#) [W3908B0100](#) [W6102B0100](#) [YE572113-30RSMM](#) [108-00014-50](#) [66089-2406](#) [A09-F8NF-M](#) [A09-F5NF-M](#) [RGFRA1903041A1T](#) [W3593B0100](#) [W3921B0100](#) [SIMNA-868](#) [SIMNA-915](#) [SIMNA-433](#) [W1044](#) [W1049B090](#) [WTL2449CQ1-FRSMM](#) [CPL9C](#) [EXB148BN](#) [0600-00060](#) [TRA9020S3PBN-001](#) [GD5W-28P-NF](#) [MA9-7N](#) [GD53-25](#) [GD5W-21P-NF](#) [EXB144SM](#) [C37](#) [MAF94051](#) [GD35-17P-NF](#) [P1744](#) [MA9-5N](#) [EXD420PL](#) [B1322NR](#) [QWFTB120](#) [MAF94271](#) [MAF94300](#) [GPSMB301](#) [FG4403](#) [AO-AGSM-OM54](#) [5200232](#) [MIKROE-2349](#) [WCM.01.0111](#) [MIKROE-2393](#) [MIKROE-2352](#)