



MEA-1621-AM

IRIDIUM CERTIFIED PASSIVE ANTENNA

Part #: 189-00067-01

Description

The MEA-1621-AM is an external antenna designed for the Iridium Network and is Iridium Certified. The antenna provides exceptional pattern control, polarization purity and high efficiency. It offers excellent performance at low orbit and a sleek, low profile design with adhesive mounting, featuring an integrated SMA connector and is rated IP-67 when mounted and unmounted. It can be used to boost the performance of the Iridium handsets among other uses. This low profile antenna is a magnet mount antenna with rugged ABS plastic housing and is ideal for the most demanding environmental challenges. The MEA-1621-AM provides outstanding performance for any telematics and fleet management application.

Electrical Specifications

Parameter	Specification
Frequency Range	1616-1627 MHz
Bands	1621 MHz
Return Loss	-18.8 dB
VSWR	1.2:1
Efficiency	76%
Peak Gain	4.5 dBiC
Average Gain	-1.1 dB
Impedance	50 Ω
Axial Ratio	≤ 3 dB
Radiation Pattern	Hemispherical
Polarization	RHCP

Mechanical Specification

Parameter	Specification
Antenna Dimensions	80 x 76 x 16 mm
Operating Temperature	-40°C to 85°C
Mounting Type	Adhesive Mount
Random Type	ABS
Random Color	Black
Antenna Base	ABS
Connector Type	SMA-Male Standard
Cable Length	150 cm
Cable Type	LM4100 cable
Substance Compliance	RoHS
Certificates	Iridium Certified



Features

- Optimized for Iridium Network
- Very low axial ratio
- Excellent performance at low orbit
- Easy mounting
- Rugged housing

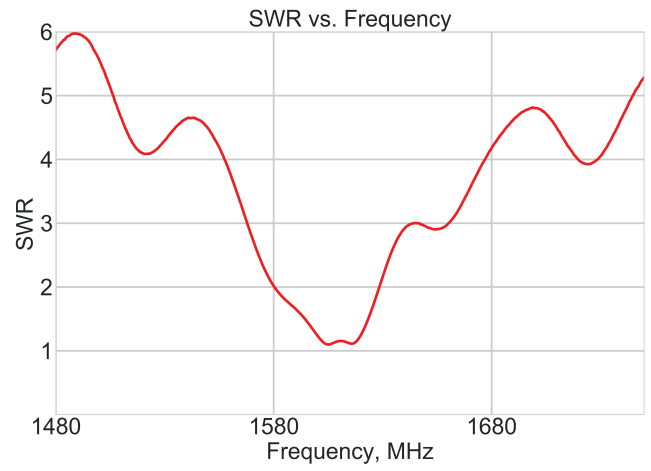
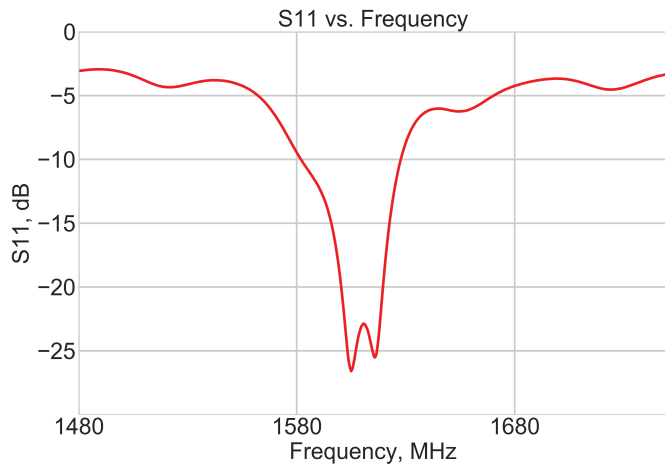
Applications

- Vehicle and fleet tracking
- Military & security
- Asset tracking
- Iridium (SBD) Short Burst Data
- Oil & gas industries
- Navigation devices
- Mining equipment
- LBS & M2M applications
- Handheld devices
- Law enforcement



Maxtena Inc.
7361 Calhoun Place, Suite 102
Rockville, MD 20855
1-877-629-8362
info@maxtena.com

www.maxtena.com



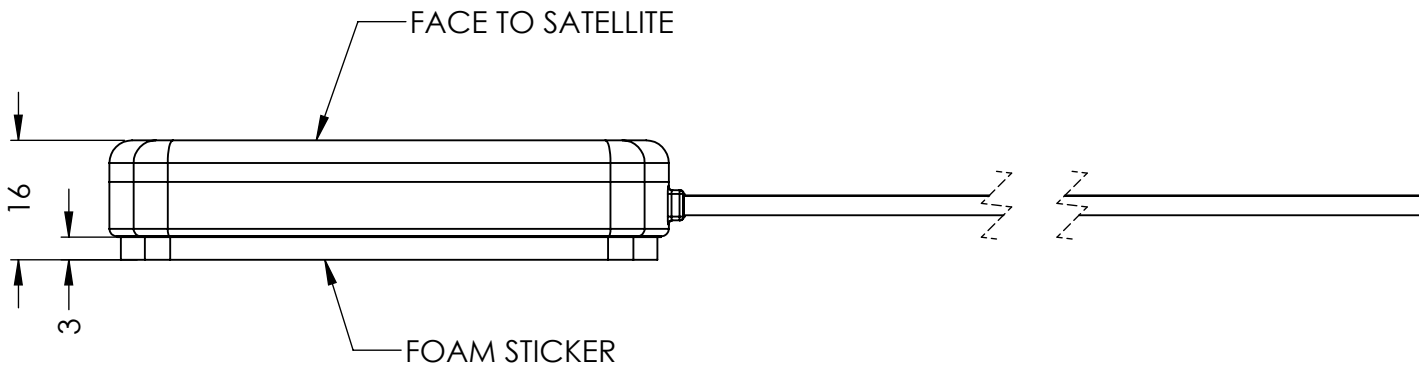
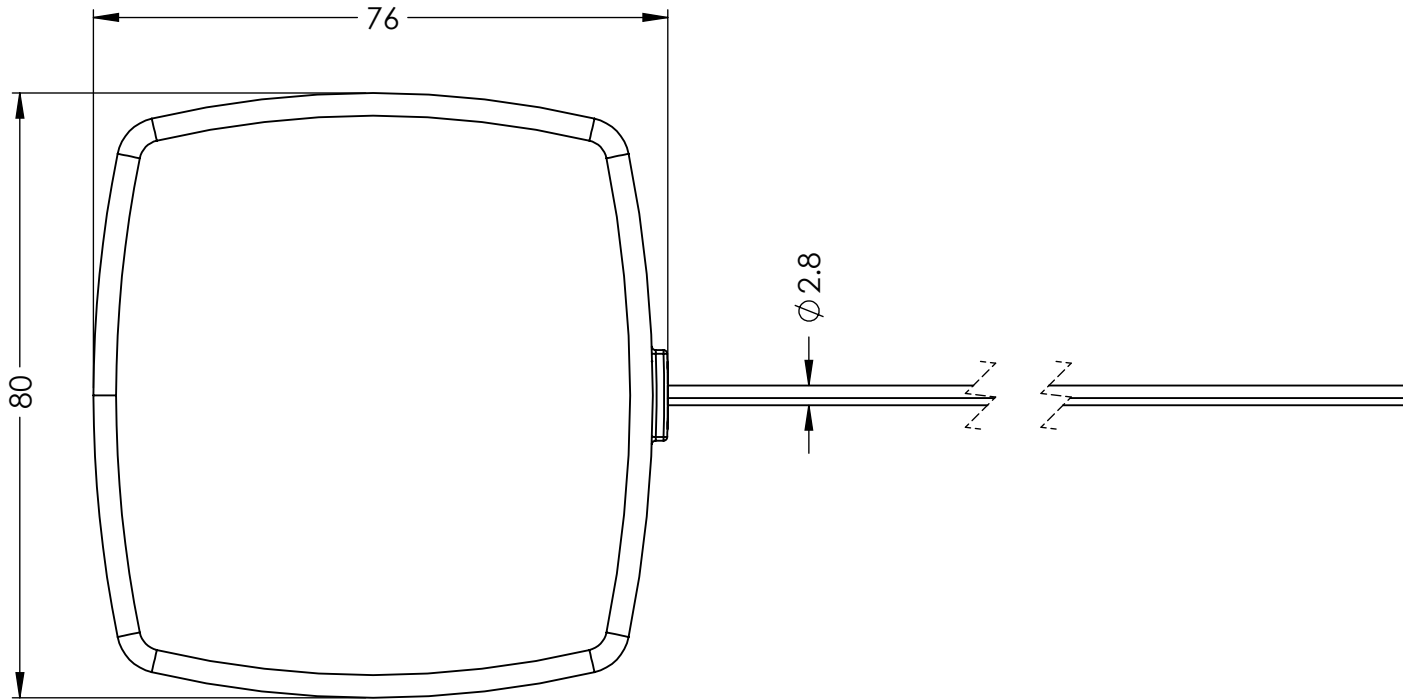
Maxtena Inc.
 7361 Calhoun Place, Suite 102
 Rockville, MD 20855
 1-877-629-8362
 info@maxtena.com
www.maxtena.com

D

C

B

A



ITEM 189-00067 REVISION HISTORY			
REV	DESCRIPTION	DATE	BY
A	INITIAL RELEASE	2021-06-17	SZ

189-00067 CONFIGURATION TABLE			
DASH NO	CABLE LENGTH	CABLE TYPE	CONNECTOR TY
-01	150cm	LMR100	SMA MALE
-02	15ft	RG174	SMA MALE
-03	12in	LMR100	SMA MALE
-04	5.5ft	LMR100	SMA MALE

PROPRIETARY AND CONFIDENTIAL

THE INFORMATION CONTAINED IN THIS DRAWING IS THE SOLE PROPERTY OF MAXTENA, INC. ANY REPRODUCTION IN PART OR AS A WHOLE WITHOUT THE WRITTEN PERMISSION OF MAXTENA, INC IS PROHIBITED.

X-ON Electronics

Largest Supplier of Electrical and Electronic Components

Click to view similar products for [Antennas](#) category:

Click to view products by [Maxtena](#) manufacturer:

Other Similar products are found below :

[GAN30084EU](#) [930-033-R](#) [GW17.07.0250E](#) [1513563-1](#) [EXE902SM](#) [APAMPG-117](#) [MAF94383](#) [W3908B0100](#) [W6102B0100](#) [YE572113-30RSMM](#) [108-00014-50](#) [66089-2406](#) [W3006VP](#) [A09-F8NF-M](#) [A09-F5NF-M](#) [RGFRA1903041A1T](#) [W3525BW100](#) [W3593B0100](#) [W3921B0100](#) [SIMNA-868](#) [SIMNA-915](#) [SIMNA-433](#) [W1044](#) [W1049B090](#) [WTL2449CQ1-FRSMM](#) [CPL9C](#) [EXB148BN](#) [0600-00060](#) [TRA9020S3PBN-001](#) [GD5W-28P-NF](#) [MA9-7N](#) [GD53-25](#) [GD5W-21P-NF](#) [EXB144SM](#) [C37](#) [MAF94051](#) [GD35-17P-NF](#) [P1744](#) [MA9-5N](#) [EXD420PL](#) [B1322NR](#) [QWFTB120](#) [MAF94271](#) [MAF94300](#) [GPSMB301](#) [FG4403](#) [AO-AGSM-OM54](#) [5200232](#) [MIKROE-2349](#) [WCM.01.0111](#)