

# MEA-GNSS-LTE

## 2 IN 1 LTE/GNSS ANTENNA

Ordering Part #: 100-00103-01



The MEA-GNSS-LTE is a 2 in 1 low profile antenna solution by Maxtena that combines GNSS and LTE antennas in one. Our low profile 2 in 1 solution is ideal for asset tracking, industrial and IOT applications. This antenna offers a ultra low profile rugged IP67 rated design with easy mounting and customizable cables and connector options. The small size make this antenna a desirable solution for covert installations.

GPS-GLONASS Antenna Electrical Specifications	
Frequency Range (MHz)	1575.42 / 1602 MHz
VSWR	2.0 : 1 Max
Impedance	50 Ohm
Polarization	Linear
Gain @ Zenith	1 dBi Typ. @ 1575 MHz 1 dBi Typ. @ 1602 MHz

LNA Electrical Properties	
Frequency Range (MHz)	1575.42 / 1602 MHz
VSWR	2.0 : 1 Max
Impedance	50 Ohm
Antenna Gain (@ 3.3V)	28 dB Typ. / 25 dB Min
DC Power Input	3~5 V
Noise Figure	2.5 dB Typ.
Power Consumption (@ 3.3V)	9 mA Typ.

LTE Antenna Electrical Specifications	
Frequency Range (MHz)	698~960 / 1710~2170 / 2300~2690 MHz
VSWR	698~960 MHz $\leq$ 3.7 1710~2170 MHz $\leq$ 3.5 2300~2690 MHz $\leq$ 3.0
Impedance	50 Ohm
Peak Gain	1.0 dBi Typ. @ 698~960 MHz 2.0 dBi Typ. @ 1710~2170 MHz 2.0 dBi Typ. @ 2300~2690 MHz
Average Efficiency	698~960 MHz $\geq$ 28% 1710~2170 MHz $\geq$ 30% 2300~2690 MHz $\geq$ 30%

### Mechanical Specifications

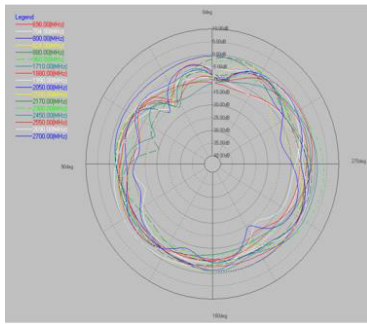
Antenna Dimensions (mm)	Diameter 51.4 x (h) 11.7 mm
Mounting Function	Foam Adhesive
Operating Temperature	-40 °C + 85 °C
Housing Material & Color	PC & Black
Cable	RG-174
Cable Length	1 Meter
Connector	SMA / FAKRA or customer specification
Waterproof	IPX5

### Radiation Specifications

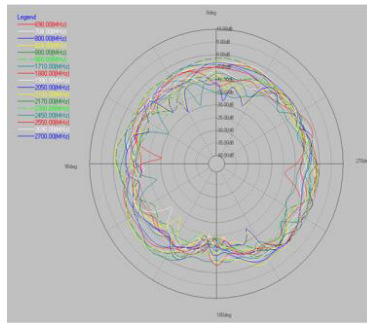
LTE / GNSS (GPS-GLONASS)

LTE

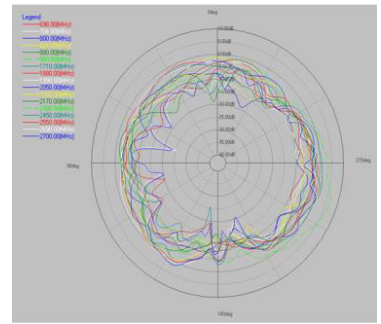
X-Y



X-Z

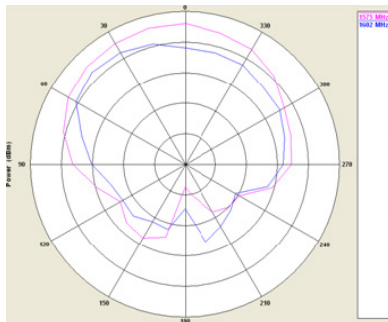


Y-Z

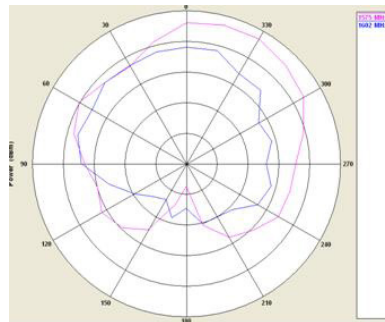


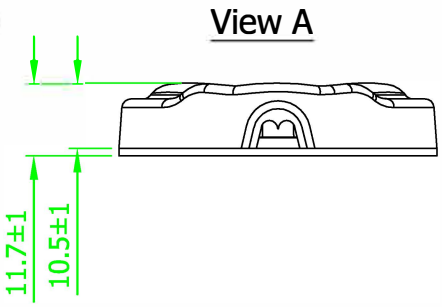
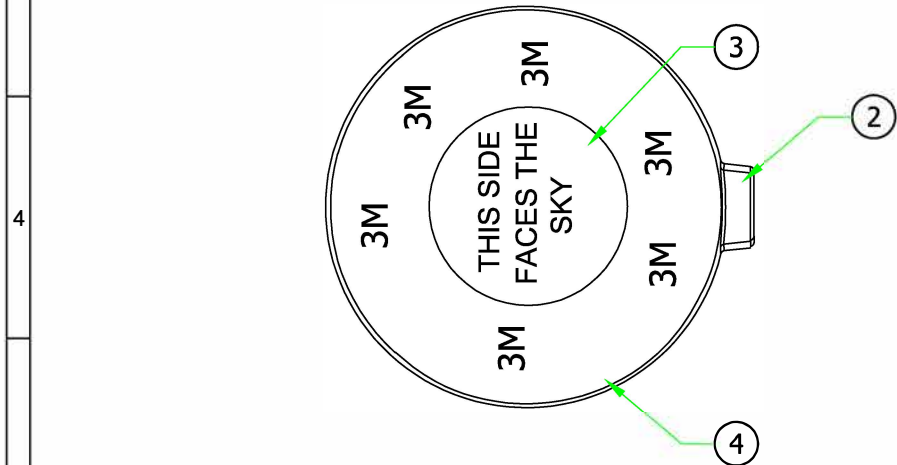
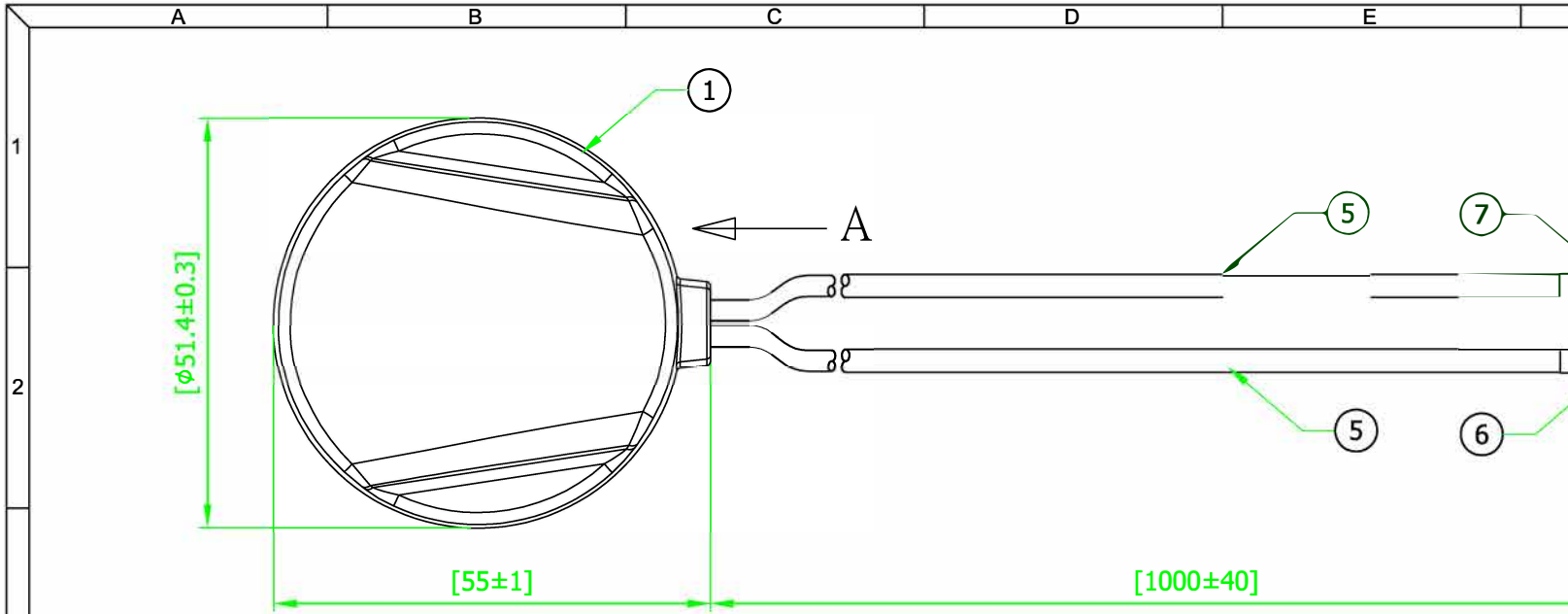
GPS-GLONASS

X-Z



Y-Z





GPS-GLONASS Active  
Frequency: 1575.42/1575.42

LTE Antenna:  
Frequency: 698~960/1710

Waterproof level: IPX4  
Note: Critical To Function

8	Connector
7	H.S Tube(RG-62)
6	H.S Tube(RG-62)
5	Cable
4	Foam Adhesive
3	Label
2	Cable Holder
1	Antenna Cover
NO	

CUSTOMER'S SINGATURE

XX.	±5.0	APPROVED
X.	±2.0	VM
.X	±1.0	CHECKED
.XX	±0.5	VM
.XXX	±0.1	DRAWING

CUSTOMER:		
PART NO :		
PARTNAME : MEA-GNSS-LTE		
P/NO : 100-00103-01		
REV	UNIT	FILE :
A	mm	SHEET : 3/3

## X-ON Electronics

Largest Supplier of Electrical and Electronic Components

*Click to view similar products for [Antennas](#) category:*

*Click to view products by [Maxtena](#) manufacturer:*

Other Similar products are found below :

[GAN30084EU](#) [930-033-R](#) [GW17.07.0250E](#) [1513563-1](#) [EXE902SM](#) [APAMPG-117](#) [MAF94383](#) [W3908B0100](#) [W6102B0100](#) [YE572113-30RSMM](#) [108-00014-50](#) [66089-2406](#) [A09-F8NF-M](#) [A09-F5NF-M](#) [RGFRA1903041A1T](#) [W3593B0100](#) [W3921B0100](#) [SIMNA-868](#) [SIMNA-915](#) [SIMNA-433](#) [W1044](#) [W1049B090](#) [WTL2449CQ1-FRSMM](#) [CPL9C](#) [EXB148BN](#) [0600-00060](#) [TRA9020S3PBN-001](#) [GD5W-28P-NF](#) [MA9-7N](#) [GD53-25](#) [GD5W-21P-NF](#) [EXB144SM](#) [C37](#) [MAF94051](#) [GD35-17P-NF](#) [P1744](#) [MA9-5N](#) [EXD420PL](#) [B1322NR](#) [QWFTB120](#) [MAF94271](#) [MAF94300](#) [GPSMB301](#) [FG4403](#) [AO-AGSM-OM54](#) [5200232](#) [MIKROE-2349](#) [WCM.01.0111](#) [MIKROE-2393](#) [MIKROE-2352](#)