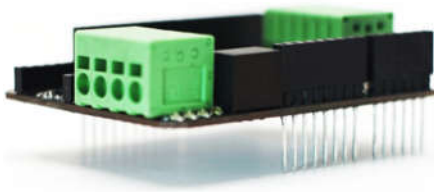


# Multifunctional POWER SHIELD 6+6 T800 for Arduino

## Quick Start Guide

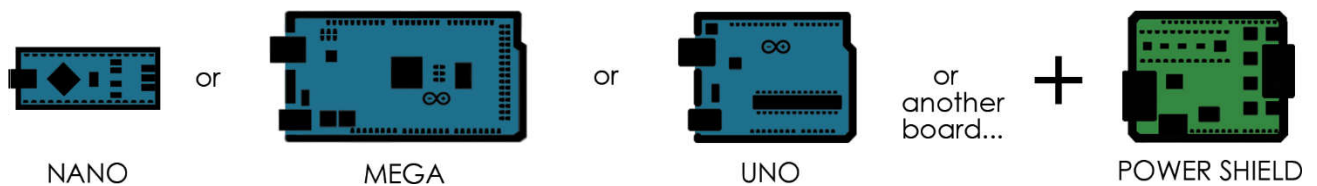


POWER SHIELD 6+6 T800 is an accessory for Arduino-type boards. One POWER SHIELD can control 6 loads of different types and voltages. Each power output can also be used as a simple DC mode or a dynamic output, i.e. with the PWM (Pulse Width Modulation) mode. By stacking two boards, you can get more power and more channels. Four integrated LED indicators show performance quality and error statuses. Feedback connections lead to the Arduino analogue inputs (one for measuring current).

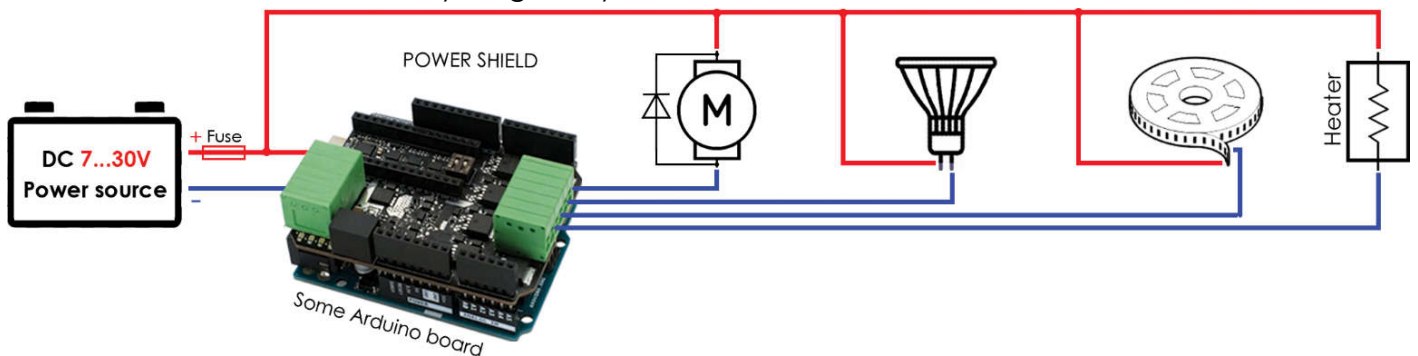
### Main features

- ✓ Power supply voltage **6.5...32V**; output controllable voltage **1...32V**
- ✓ Single board max output power **800W**; two stacked boards max **1.5kW**
- ✓ Multiple protections: overcurrent, overheat, FlashBack, polarity and other
- ✓ Integrated **5V DC/DC converter** to supply Arduino itself

1. Connect POWER SHIELD to an Arduino board:



2. Connect motors, LEDs or \*anything else you need:



Note: If you are connecting motors, solenoids or something else with inductivity, use FlyBack diode for this load!

3. [Download](#) (simple or advanced) code or write your own sketch for Arduino.
4. Upload your sketch.
5. Turn on the serial monitor with a baud rate of 19200.
6. Switch the power on (by putting the fuse in its case).
7. Turn on SW2 and try to **change SW1 positions** while the device is working and see what happens on serial monitor window.

\* Before implementing your project, read the full user manual. This document is only a Quick Start Do not follow this document for long-term projects. Guide for board testing purposes.

All rights reserved ©. Copyright 2018.  
[www.v-vTech.com](http://www.v-vTech.com)

## X-ON Electronics

Largest Supplier of Electrical and Electronic Components

*Click to view similar products for [Development Boards & Kits - Wireless](#) category:*

*Click to view products by [MB V&V TECH](#) manufacturer:*

Other Similar products are found below :

[13237ADC-SFTW](#) [13237ADC-BDM](#) [SLWRB4542B](#) [SLWRB4546A](#) [CC-WMX51-LX](#) [TWR-13237](#) [TWR-13237-KIT](#) [DA14585-00VVDB-P](#)  
[MKR MOTOR CARRIER](#) [AC164159](#) [RD-88MW322-R0](#) [RD-88MW320-R0](#) [FMC PCAM ADAPTER](#) [BLE 4 CLICK](#) [C METER CLICK](#)  
[HALL CURRENT CLICK](#) [COLOR 3 CLICK](#) [COMPASS 2 CLICK](#) [COMPASS CLICK](#) [HDC1000 CLICK](#) [RELAY CLICK](#) [RIVERDI](#)  
[CLICK](#) [CUGSM113#UFL](#) [R METER CLICK](#) [MATRIX G CLICK](#) [MATRIX RGB CLICK](#) [3D MOTION CLICK](#) [3G SARA CLICK](#)  
[TDGL012](#) [4-20MA R CLICK](#) [4-20MA T CLICK](#) [THERMO CLICK](#) [MCP2003B CLICK](#) [EXPAND 3 CLICK](#) [MCP2542 CLICK](#) [MCP25625](#)  
[CLICK](#) [ATA663211 CLICK](#) [ATA8520-EK3-E](#) [TOUCHKEY CLICK](#) [MICROSD CLICK](#) [TRF CLICK](#) [BUTTON R CLICK](#) [IR ECLIPSE](#)  
[CLICK](#) [IRTHERMO 2 CLICK](#) [UNIQUE ID CLICK](#) [UV 2 CLICK](#) [CAN-SPI CLICK 3.3V](#) [CAN-SPI CLICK 5V](#) [CAP EXTEND CLICK](#)  
[CAPSENSE CLICK](#)