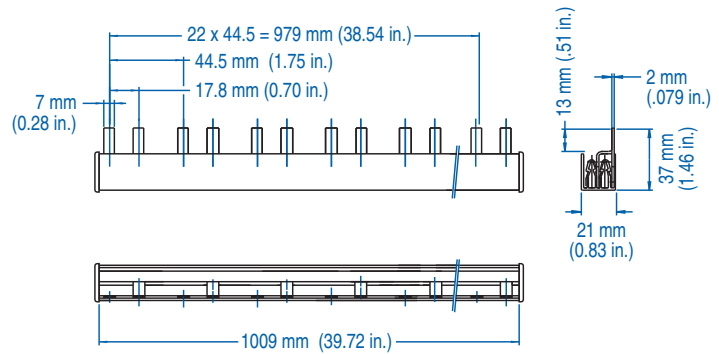


2 PHASE BUSBAR - 1/2 pole spacing

18mm² for 80A / 25mm² for 100A



18mm² for 80A

25mm² for 100A

Type/ Cat. No.	No. of Pins	No. of MMC to Jumper	Length [mm]	Type/ Cat. No.	No. of Pins	No. of MMC to Jumper	Length [mm]
2P18U3H/4	4	2x2 pole	75.3	2P25U3H/4	4	2x2 pole	75.3
2P18U3H/6	6	3x2 pole	119.8	2P25U3H/6	6	3x2 pole	119.8
2P18U3H/8	8	4x2 pole	164.3	2P25U3H/8	8	4x2 pole	164.3
2P18U3H/10	10	5x2 poles	208.8	2P25U3H/10	10	5x2 pole	208.8
2P18U3H/12	12	6x2 pole	253.3	2P25U3H/12	12	6x2 pole	253.3
2P18U3H/14	14	7x2 pole	297.8	2P25U3H/14	14	7x2 pole	297.8
2P18U3H/16	16	8x2 pole	342.3	2P25U3H/16	16	8x2 pole	342.3
2P18U3H/18	18	9x2 pole	386.8	2P25U3H/18	18	9x2 pole	386.8
2P18U3H/20	20	10x2 pole	431.3	2P25U3H/20	20	10x2 pole	431.3
2P18U3H/22	22	11x2 pole	475.8	2P25U3H/22	22	11x2 pole	475.8
2P18U3H/24	24	12x2 pole	520.3	2P25U3H/24	24	12x2 pole	520.3
2P18U3H/26	26	13x2 pole	564.8	2P25U3H/26	26	13x2 pole	564.8
2P18U3H/28	28	14x2 pole	609.3	2P25U3H/28	28	14x2 pole	609.3
2P18U3H/30	30	15x2 pole	653.8	2P25U3H/30	30	15x2 pole	653.8
2P18U3H/32	32	16x2 pole	698.3	2P25U3H/32	32	16x2 pole	698.3
2P18U3H/34	34	17x2 pole	742.8	2P25U3H/34	34	17x2 pole	742.8
2P18U3H/36	36	18x2 pole	787.3	2P25U3H/36	36	18x2 pole	787.3
2P18U3H/38	38	19x2 pole	831.8	2P25U3H/38	38	19x2 pole	831.8
2P18U3H/40	40	20x2 pole	876.3	2P25U3H/40	40	20x2 pole	876.3
2P18U3H/42	42	21x2 pole	920.8	2P25U3H/42	42	21x2 pole	920.8
2P18U3H/44	44	22x2 pole	965.3	2P25U3H/44	44	22x2 pole	965.3
2P18U3H/46	46	23x2 pole	1009.8	2P25U3H/46	46	23x2 pole	1009.8
2P18U3H/48	48	24x2 pole	1054.3	2P25U3H/48	48	24x2 pole	1054.3
2P18U3H/50	50	25x2 pole	1098.8	2P25U3H/50	50	25x2 pole	1098.8
2P18U3H/52	52	26x2 pole	1143.3	2P25U3H/52	52	26x2 pole	1143.3
2P18U3H/54	54	27x2 pole	1187.8	2P25U3H/54	54	27x2 pole	1187.8
2P18U3H/56	56	28x1 pole	1232.3	2P25U3H/56	56	28x2 pole	1232.3

ACCESSORIES



Type/Cat. No.:	P50UT	P50UB	BRS5	18/25CAP3P
Description:	Power Feed Lug	Modular Direct Power Feed	Insulation Cap	End Cap

X-ON Electronics

Largest Supplier of Electrical and Electronic Components

Click to view similar products for [Circuit Breaker Accessories](#) category:

Click to view products by [Altech](#) manufacturer:

Other Similar products are found below :

[CSC-403PS](#) [8T1-D-11A](#) [B151-7184-L](#) [NEB10](#) [8C1-C-721](#) [8T1-E-115](#) [8T1-E-275](#) [8T1-E-278](#) [4-1393247-8](#) [4-1393247-9](#) [506-11315-001](#)
[3803221](#) [3803231](#) [NEB6](#) [X10506BF](#) [NES](#) [9-1393249-0](#) [802-ESB50UL489](#) [3RV2011-1CA15](#) [607.5689.127](#) [30.329](#) [CA707/TS/01](#)
[11-32-2733](#) [X10508BF](#) [X22261102](#) [975090700](#) [CX2.5/4/O](#) [975090701](#) [PS-2P](#) [Y30019003](#) [C-TEC1225 P](#) [PS-1006](#) [618.6335.069](#)
[975455700](#) [BAC03](#) [930727103](#) [934097101](#) [ZG20-1](#) [934097100](#) [JX2.5/4](#) [KEM380CUL](#) [CC848756916](#) [JX2.5/6](#) [JX2.5/5](#) [HSP6/10U](#)
[DMRBU BLACK BOX](#) [DB16/BU](#) [DB16/BL](#) [CM2.5S2](#) [973604100](#)