



(ICL-28R)



(ICL-28L)



■ Features

- 48A inrush limiting current, 28A continuous
- 180~264VAC AC input
- Integrated bypass relay, no simple NTC
- Internal thermal protection
- Installed on DIN Rail TS-35/7.5 or 15 (ICL-28R)
- -30~+70°C wide working temperature
- Over voltage category III
- Operating altitude up to 5000 meters(Note. 2)
- 3 years warranty

■ Description

The ICL-28 is a 28A inrush current limiter that can be used to reduce the high starting current due to capacitive load causing the circuit breaker to be false triggered. Several power supplies can be installed on the same AC line after the implementation of an ICL-28.

■ Applications

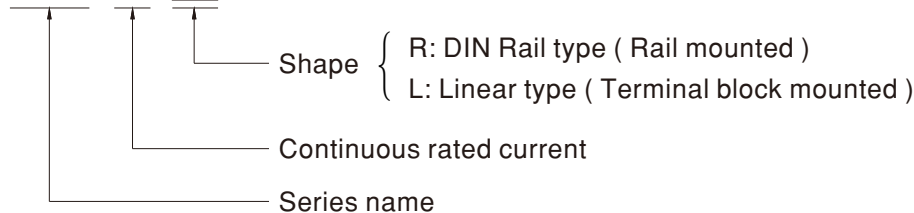
- Allow connecting multiple power supply at same line
- Allows smaller and faster Circuit Breaker
- Capacitive load
- Protects against unintended tigger of circuit breaker

■ GTIN CODE

MW Search: <https://www.meanwell.com/serviceGTIN.aspx>

■ Model Encoding

ICL - 28 - R





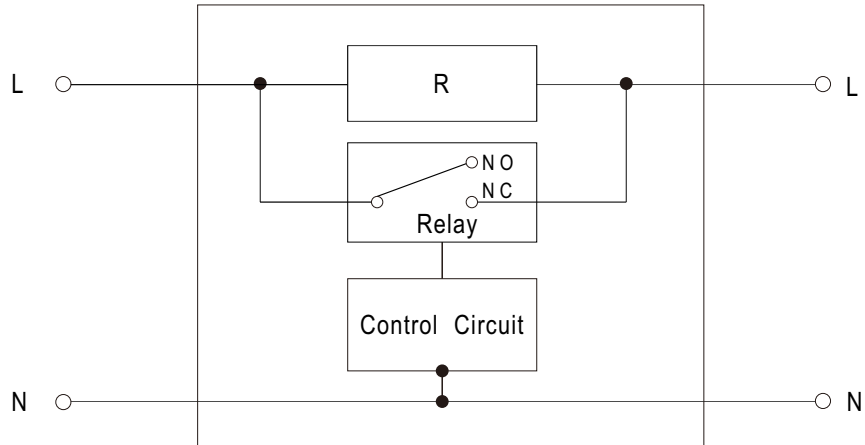
28A AC Inrush Current Limiter

ICL-28R/28L

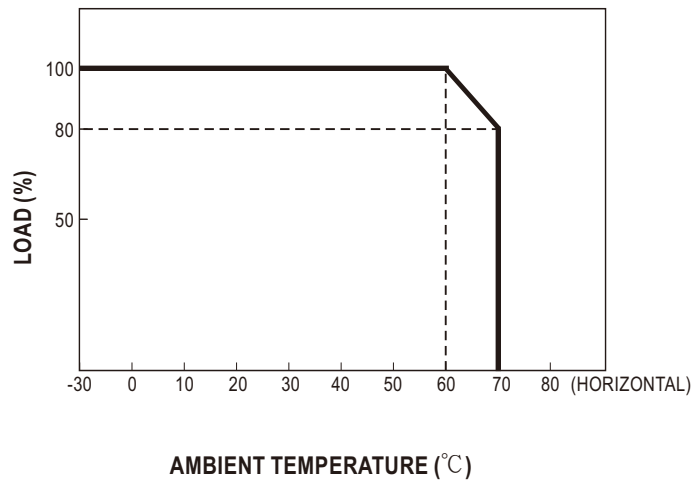
SPECIFICATION

MODEL	ICL-28R	ICL-28L		
AC INPUT VOLTAGE	180 ~ 264VAC	180 ~ 264VAC		
AC LINE FREQUENCY	47 ~ 63Hz			
INRUSH CURRENT LIMITING	48A			
AC CONTINUOUS RATED CURRENT	28A continuous			
AC INPUT POWER	6440VA (28A x 230VAC)			
AC INPUT CONSUMPTION	<2W at 264VAC, 50Hz input			
INTERNAL RELAY LIMITING TIME (TON POWER ON)	150 ± 50ms			
INTERNAL RELAY	LIMITING CYCLES	3 cycle / 1 min		
	RELEASE TIME	100±50ms		
INTERNAL PROTECTION	Thermal fuse protects overload and fire			
ALLOWED CAPACITIVE LOAD	6000 μ F max.			
WORKING TEMP.	-30 ~ +70°C (Refer to "Derating Curve")			
WORKING HUMIDITY	20 ~ 90% RH non-condensing			
STORAGE TEMP.	-40 ~ +85°C			
TEMP. COEFFICIENT	±0.03%/°C (0 ~ 60°C) RH non-condensing			
VIBRATION	10 ~ 500Hz, 2G 10min./1cycle, period for 60min. each along X, Y, Z axes; Mounting: Compliance to IEC60068-2-6			
OPERATING ALTITUDE	Note. 2	5000 meters		
OVER VOLTAGE CATEGORY	III; According to IEC62368-1; altitude up to 5000 meters			
POLLUTION DEGREE	2			
SAFETY STANDARDS	LVD BS EN/EN62368-1 approved			
SAFETY & EMC (Note.3)	EMC EMISSION	Parameter	Standard	Test Level / Note
		Conducted	BS EN/EN55032	Class B
		Radiated	BS EN/EN55032	Class B
		Harmonic Current	BS EN/EN61000-3-2	Class A
		Voltage Flicker	BS EN/EN61000-3-3	-----
	EMC IMMUNITY	BS EN/EN55024, BS EN/EN55035, BS EN/EN61000-6-2		
		Parameter	Standard	Test Level /Note
		ESD	BS EN/EN61000-4-2	Level 3, 8KV air; Level 2, 4KV contact, criteria A
		Radiated Susceptibility	BS EN/EN61000-4-3	Level 3, criteria A
		EFT/Burest	BS EN/EN61000-4-4	Level 3, criteria A
		Surge	BS EN/EN61000-4-5	Level 4, 2KV/L-N, criteria A
		Conducted	BS EN/EN61000-4-6	Level 3, criteria A
		Magnetic Field	BS EN/EN61000-4-8	Level 4, criteria A
		Voltage Dips and interruptions	BS EN/EN61000-4-11	>95% dip 0. 5 periods, 30% dip 25 periods, >95% interruptions 250 periods
MTBF	6781.7K hrs min. Telcordia SR-332 (Bellcore) ; 1601.8K hrs min. MIL-HDBK-217F (25°C)	6781.7K hrs min. Telcordia SR-332 (Bellcore) ; 1626.6K hrs min. MIL-HDBK-217F (25°C)		
DIMENSION	52.5*90*54.5mm (L*W*H)	175*42*24mm (L*W*H)		
PACKING	0.16Kg; 80pcs/13.8Kg/1.23CUFT	0.155Kg; 84pcs/14Kg/0.91CUFT		
NOTE	<p>1. All parameters NOT specially mentioned are measured at 230VAC input, rated load and 25°C of ambient temperature.</p> <p>2. The ambient temperature derating of 3.5°C/1000m with fanless models and of 5°C/1000m with fan models for operating altitude higher than 2000m(6500ft).</p> <p>3. The power supply is considered as an independent unit, but the final equipment still need to re-confirm that the whole system complies with the EMC directives. For guidance on how to perform these EMC tests, please refer to "EMI testing of component power supplies." (as available on http://www.meanwell.com)</p> <p>※ Product Liability Disclaimer : For detailed information, please refer to https://www.meanwell.com/serviceDisclaimer.aspx</p>			

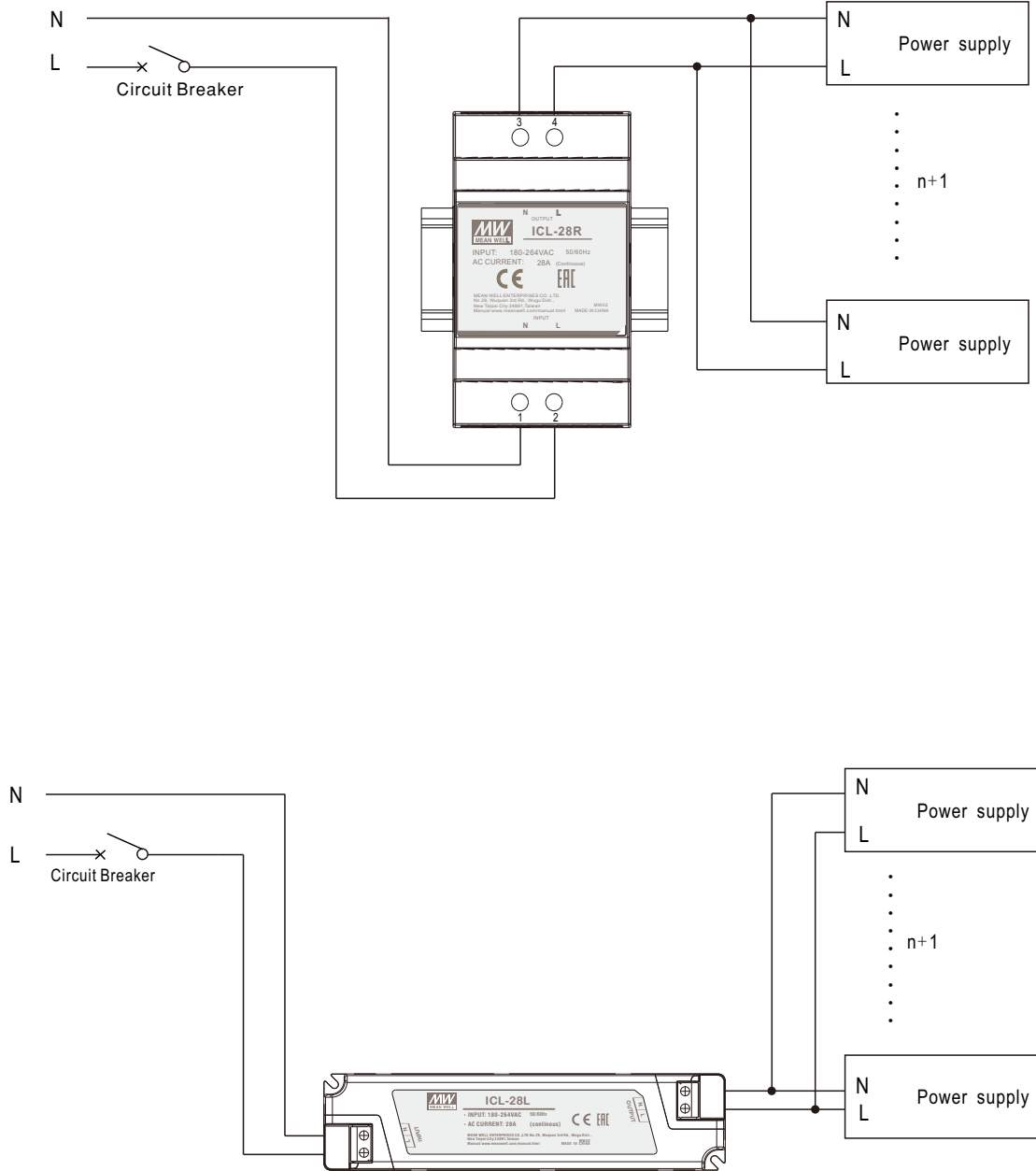
■ BLOCK DIAGRAM



■ Derating Curve



APPLICATION DIAGRAM

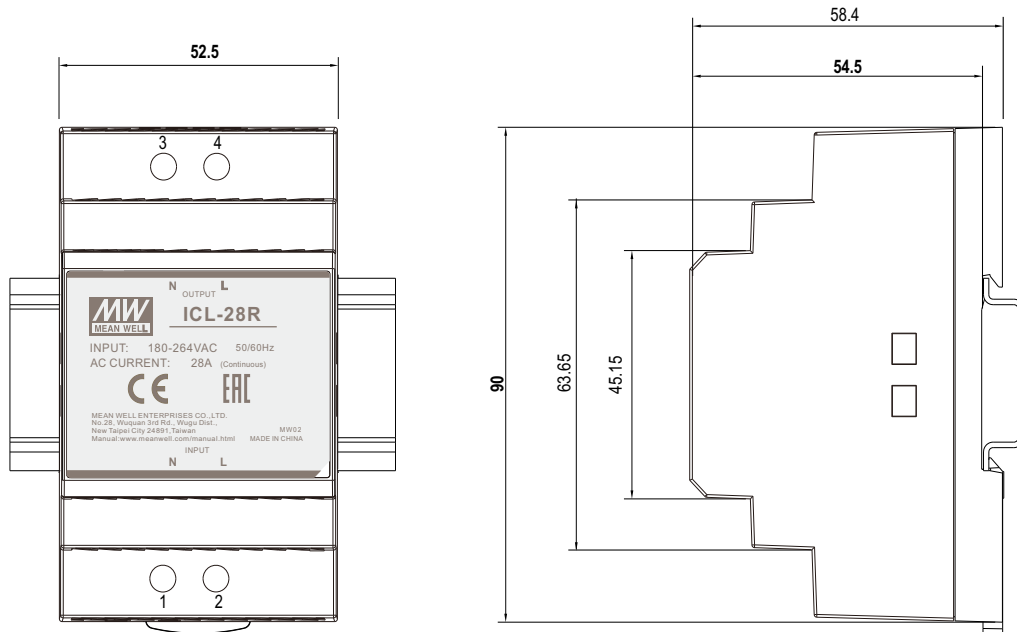


※ How many power supplies can be connected behind ICL-28R/ICL-28L?
Please refer to : <http://www.meanwell.com>.

MECHANICAL SPECIFICATION

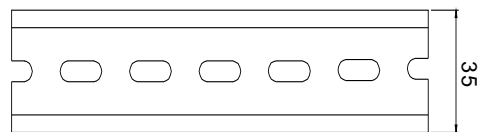
ICL-28R(DIN Rail type)

Case No. ICL-28R Unit:mm



Terminal Pin No. Assignment

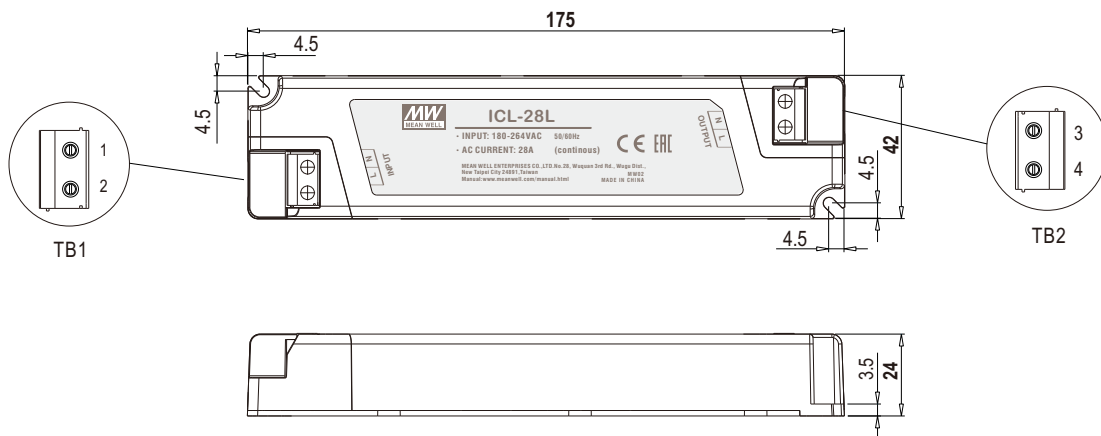
Pin No.	Assignment	Pin No.	Assignment
1	AC/N Input	3	AC/N Output
2	AC/L Input	4	AC/L Output



ADMISSIBLE DIN-RAIL: TS35/7.5 OR TS35/15

ICL-28L(Linear type)

Case No. PLM-40 Unit:mm



Terminal Pin No. Assignment (TB1, TB2)
SWITCHLAB MB422-750 equivalent

Pin No.	Assignment	Pin No.	Assignment
1	AC/N Input	3	AC/N Output
2	AC/L Input	4	AC/L Output

X-ON Electronics

Largest Supplier of Electrical and Electronic Components

Click to view similar products for [Inrush Current Limiters](#) category:

Click to view products by [Mean Well](#) manufacturer:

Other Similar products are found below :

[B57364S2509A002](#) [SL12-22101-AT](#) [SL1580003](#) [MS15 15004](#) [MT8950AC](#) [SL22 20005-B](#) [B57237S0330M00](#) [AS32 1R036](#) [041337D](#)
[01C1001FF](#) [B57127P0109M301](#) [B57127P0100M301](#) [B57464S0509M000](#) [CL-120AB](#) [SL22 2R515-A](#) [SL03 20001](#) [NT03 10052](#) [SL15 22101](#)
[SL08 4R003](#) [AS32 1R030](#) [SL15 5R007-A](#) [SL08 10001](#) [SL22 16005](#) [AS35 5R025](#) [AS35 2R035](#) [SL22 10009](#) [SL15 60004-B](#) [SL125R005](#)
[SL12 10006-B](#) [SL10 5R004-A](#) [SL08 12101-A](#) [SL08 10002-A](#) [MS32 15012-B](#) [MS32 10015-B](#) [MS22 12103-B](#) [MM35 1R550-DIN](#) [MM35](#)
[1R050-DIN](#) [MM35 1R050](#) [MM35 0R560-DIN](#) [MM35 0R280-DIN](#) [CL-130A](#) [33510B](#) [CL-80AB](#) [CL-140AB](#) [TG2512A](#) [AS32 0R530-100](#)
[AS32 0R536-100](#) [AS32 10015](#) [AS32 1R030-100](#) [AS32 1R036-100](#)