

■ Features

- Driven by constant voltage DC12V, safe and reliable
- High brightness LED, wide beam angle, low lumen depreciation
- Dimmable with LED strip light controller
- IP 65 design
- 2 years warranty

■ Applications

- LED decorative lighting
- LED indoor lighting

■ Description

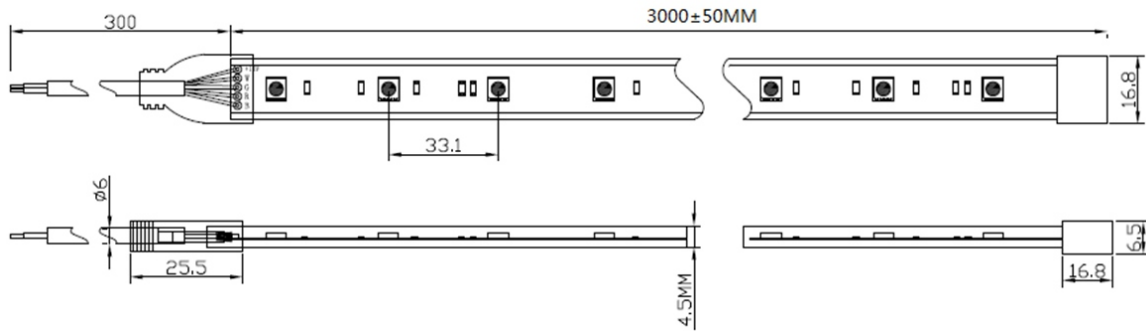
IRL-RGBW-01 is a LED strip module utilizing 5050 SMD package and the FPC PCB as the substrate. It is highly flexible and easily bendable, rated IP65 and anti-UV. The brightness and color of the module can be adjusted by the means of a RGBW controller. It perfectly fits various types of LED decorative lighting applications.

SPECIFICATION

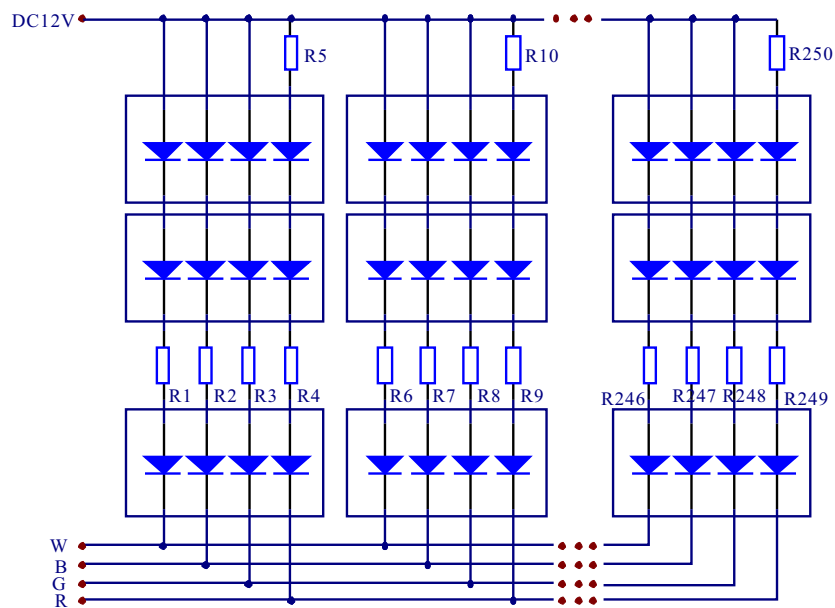
MODEL	IRL-RGBW-01
DIMENSION	3000×16.8×6.5mm (L*W*H)
COLOR	RGBW
BEAM ANGLE	120°
LED PACKAGE	5050(four color)
LED QUANTITY	30 LEDs/m
LUMINOUS FLUX	415lm/m
WAVELENGTH OR COLOR TEMPERATURE	R:620-630nm G:515-525nm B:460-470nm W:5500-6500K
RATED WORKING VOLTAGE	DC12V
RATED INPUT POWER	9.6W/m
WORKING TEMPERATURE	-20°C~ +45°C
IP LEVEL	IP 65
PACKING	0.13Kg,36pcs/8.5Kg/44x40x26cm
NOTE : The luminous flux is allowed to float with + 10%.	

■ Mechanical Specification

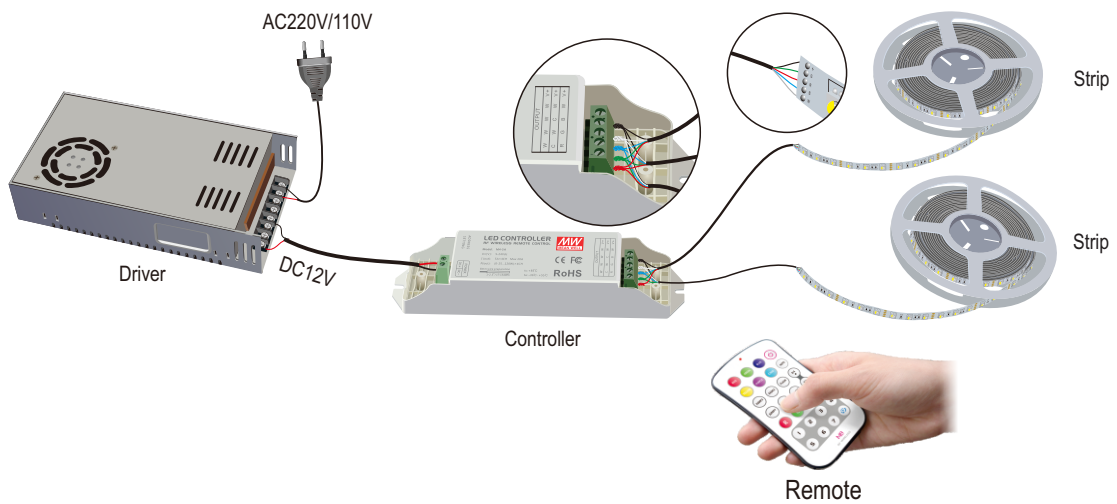
Unit:mm



■ Circuit Diagram



■ Configuration for Brightness Adjustment



■ Cautions

- Cautiously route all wires so they cannot be easily pulled out, pinched or damaged.
- Do not press on the LEDs or other components on the strip.
- Do not twist and bend less than 60mm diameter.
- Do not install the product in an environment, with direct exposure to sunshine, water, oil or corrosion.
- Ensure that the mounting surface is clean, dry and free from oil, grease or wax.
- For the best effect, the power wire of each LED strips should be connected to the driver.
- The power rating of the driver is suggested to be at least 20% higher than the total required wattage of the strip(s) being powered.
- Do not drive the strip before completely releasing it from the reel.
- Switch OFF power at the mains before installing the LED strip. Check the supply voltage and wire connections before switching the power on.

X-ON Electronics

Largest Supplier of Electrical and Electronic Components

Click to view similar products for [LED Lighting Bars and Strips](#) category:

Click to view products by [Mean Well](#) manufacturer:

Other Similar products are found below :

[ZLF0310W62524](#) [LF1D-F2F-2W-300](#) [HH-SWW528F210W12-COB IP65](#) [HH-SG528F010W24-COB IP20](#) [LF2D-EN2F-2W-A](#) [10001622](#)
[LFBHL-SW827-24V-8S63-20](#) [LFBHL-SW860-24V-8S63-20](#) [LFBHL-SW940-24V-8S63-20](#) [HH-SRGB60F010W24-5050M](#) [N006120BB1LZ](#)
[\(GREEN\)](#) [N006120BB1LZ \(ICE BLUE\)](#) [N006120BB1LZ \(RED\)](#) [N006120BC1LZ \(BLUE\)](#) [N006120BC1LZ \(GREEN\)](#) [N006120BC1LZ](#)
[\(RED\)](#) [RF-G27HI3510-241202081-A0 IP20](#) [S010030CB3SB7](#) [S010030CB3SB7 \(BLACK PCB\)](#) [S010060CB1LZ \(NEUTRAL WHITE IP65\)](#)
[S010060CB1LZ \(WARM WHITE IP65\)](#) [S010060CB3SB7](#) [S010060CC1LZ \(WARM WHITE IP65\)](#) [S012060CB4ST \(BLACK PCB\)](#) [L202-](#)
[3080033C30001](#) [00219015](#) [10001611](#) [10001612](#) [10001613](#) [10001617](#) [10001619](#) [10001623](#) [10001655](#) [10001657](#) [10001661](#) [10001664](#)
[10001670](#) [10001674](#) [10001675](#) [10001681](#) [10001683](#) [10001690](#) [PUUA-100LLL-NK2P](#) [QAUR1161L030](#) [HC-F12V-3535 PCBA](#) [HC-F12V-](#)
[F50-3L-WS2811](#) [HC-F12V-WS2811-3535](#) [HC-F5V-144L-144LED-B-WS2813 IP65](#) [HC-F5V-144L-144LED-W/IP65](#) [HC-F5V-144L-](#)
[144LED-W-WS2813 IP20](#)