



Features :

- Isolated output & GND for CH1,CH2,CH3
- Universal AC input/Full range
- Protections: Short circuit / Overload / Over voltage
- LED indicator for power on
- 100% full load burn-in test
- Fixed switching frequency at 67KHz
- 2 years warranty

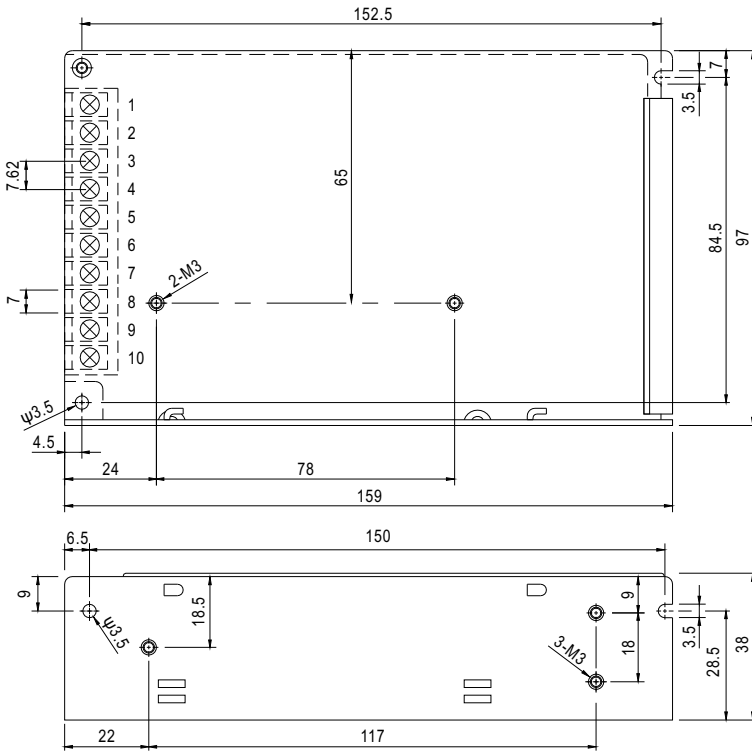


SPECIFICATION

MODEL		IT-60D			IT-60F		
OUTPUT	OUTPUT	CH1	CH2	CH3	CH1	CH2	CH3
	DC VOLTAGE	5V	12V	24V	5V	15V	24V
	RATED CURRENT	3A	0.8A	1.4A	3A	0.8A	1.3A
	CURRENT RANGE	0.5 ~ 3A	0.1 ~ 1A	0.2 ~ 2A	0.5 ~ 3A	0.1 ~ 1A	0.2 ~ 2A
	RATED POWER	58.2W			58.2W		
	PEAK LOAD (3sec.) <small>Note.4</small>	70W					
	RIPPLE & NOISE (max.) <small>Note.2</small>	80mVp-p	120mVp-p	240mVp-p	80mVp-p	150mVp-p	240mVp-p
	VOLTAGE ADJ. RANGE	CH1 : 4.75 ~ 5.5V			CH1 : 4.75 ~ 5.5V		
	VOLTAGE TOLERANCE <small>Note.3</small>	±3.0%	±8.0%	±8.0%	±3.0%	±8.0%	±8.0%
	LINE REGULATION	±1.0%	±2.0%	±2.0%	±1.0%	±2.0%	±2.0%
	LOAD REGULATION	±2.0%	±5.0%	±5.0%	±2.0%	±5.0%	±5.0%
	SETUP, RISE TIME	300ms, 20ms/230VAC 800ms, 20ms/115VAC at full load					
HOLD UP TIME (Typ.)	80ms/230VAC 18ms/115VAC at full load						
INPUT	VOLTAGE RANGE	90 ~ 264VAC		127 ~ 370VDC			
	FREQUENCY RANGE	47 ~ 63Hz					
	EFFICIENCY(Typ.)	76%					
	AC CURRENT (Typ.)	1.8A/115VAC		0.9A/230VAC			
	INRUSH CURRENT (Typ.)	COLD START 20A/115VAC		40A/230VAC			
LEAKAGE CURRENT	<1mA / 240VAC						
PROTECTION	OVERLOAD	72 ~ 90W rated output power Protection type : Hiccup mode, recovers automatically after fault condition is removed					
	OVER VOLTAGE	5V: 5.75 ~ 6.75V Protection type : Hiccup mode, recovers automatically after fault condition is removed					
ENVIRONMENT	WORKING TEMP.	-10 ~ +60°C (Refer to "Derating Curve")					
	WORKING HUMIDITY	20 ~ 90% RH non-condensing					
	STORAGE TEMP., HUMIDITY	-20 ~ +85°C, 10 ~ 95% RH					
	TEMP. COEFFICIENT	±0.03%/°C (0 ~ 50°C) on +5V output					
VIBRATION	10 ~ 500Hz, 2G 10min./1cycle, period for 60min. each along X, Y, Z axes						
SAFETY	SAFETY STANDARDS	UL60950-1, TUV EN60950-1 approved					
	WITHSTAND VOLTAGE	I/P-O/P:3KVAC I/P-FG:1.5KVAC O/P-FG:0.5KVAC					
	ISOLATION RESISTANCE	I/P-O/P, I/P-FG, O/P-FG:100M Ohms / 500VDC / 25°C/ 70% RH					
OTHERS	MTBF	314.3K hrs min. MIL-HDBK-217F (25°C)					
	DIMENSION	159*97*38mm (L*W*H)					
	PACKING	0.51Kg; 24pcs/13.2Kg/0.75CUFT					
NOTE	<ol style="list-style-type: none"> 1. All parameters NOT specially mentioned are measured at 230VAC input, rated load and 25°C of ambient temperature. 2. Ripple & noise are measured at 20MHz of bandwidth by using a 12" twisted pair-wire terminated with a 0.1uf & 47uf parallel capacitor. 3. Tolerance : includes set up tolerance, line regulation and load regulation. 4. 5% Duty cycle maximum within every 1min. Average output power should not exceed the rated power. 						

Mechanical Specification

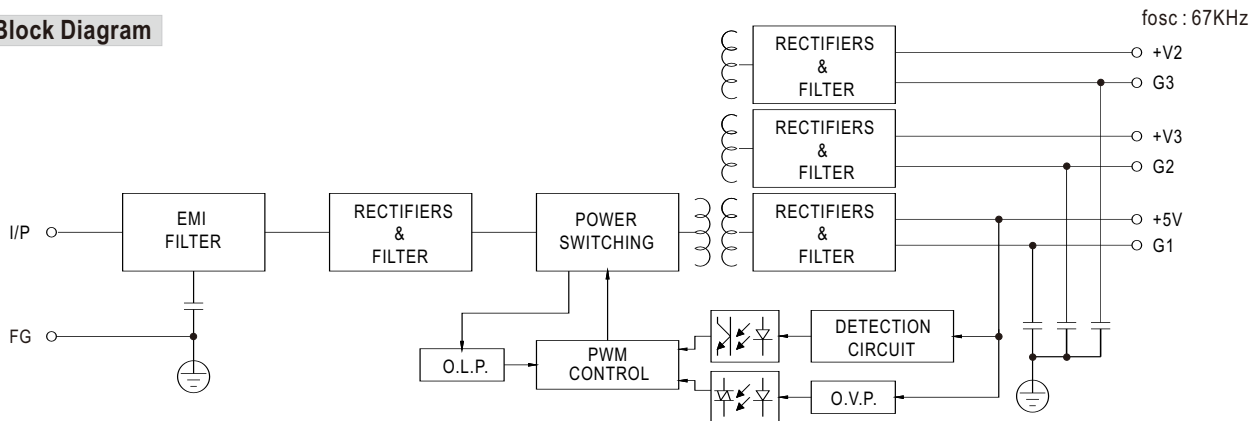
Case No. 901 Unit:mm



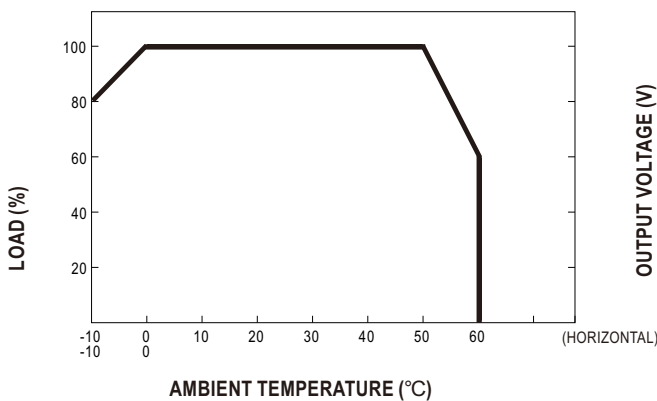
Terminal Pin No. Assignment

Pin No.	Assignment	Pin No.	Assignment
1	AC/L	6	DC OUTPUT +V2
2	AC/N	7	DC OUTPUT G3
3	FG \perp	8	DC OUTPUT +V3
4	NC	9	DC OUTPUT G1
5	DC OUTPUT G2	10	DC OUTPUT +5V

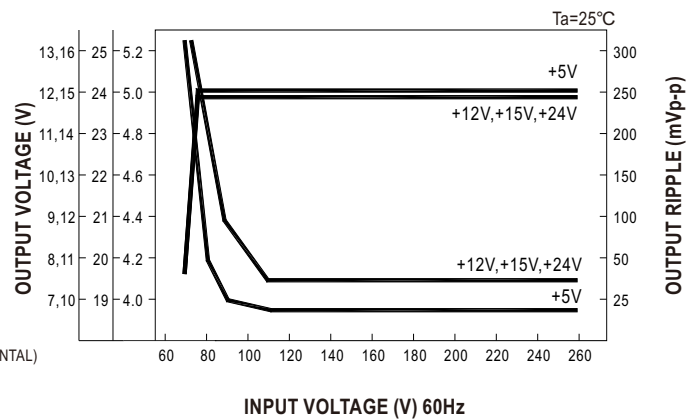
Block Diagram



Derating Curve



Static Characteristics



X-ON Electronics

Largest Supplier of Electrical and Electronic Components

Click to view similar products for [Enclosures, Boxes, & Cases](#) category:

Click to view products by [Mean Well](#) manufacturer:

Other Similar products are found below :

[CR-425 PAINTED](#) [CR-632 PAINTED](#) [585-R-WH-PK](#) [M-10-PLATED](#) [60221-01](#) [60566-01-000](#) [HPL-9VB BATT DOOR](#) [M-16-LID-PLATED](#) [M-21-LID-PLATED](#) [M-21-PLATED](#) [M-23-PLATED](#) [63310-01-000](#) [CU-281-MB](#) [6711GSKT](#) [71884-29-028](#) [LH45-100 Black](#) [7200B](#) [72868-510-000](#) [CNS-0000 Black](#) [72883-510-000](#) [CNS-0101 Black](#) [72906-510-000](#) [CNS-0407 Black](#) [73091-510-000](#) [CNM-0000-BLACK Kit](#) [73092-510-000](#) [CNM-0101 Black](#) [73395-510-039](#) [CNS-0006 Bone](#) [74016-510-000](#) [CNL-0006 Black](#) [74257-510-000](#) [CNL-0004](#) [MDC-1183-PLAIN-ALUM](#) [MDC-1183-PTD](#) [MDC-13104-PLAIN-ALUM](#) [MDC-13104-PTD](#) [MDC-211 - PAINTED IVORY/BEIGE](#) [MDC-321-PTD](#) [MDC-432-PLAIN-ALUM](#) [MDC-973-PTD](#) [76](#) [77153-01-028](#) [FLX6030](#) [81496-510-039](#) [K-XPL-9VB BONE Kit](#) [83535-01-508](#) [PS-11296-G](#) [PS-11298-B](#) [116-508](#) [A16P16G](#) [120-407](#) [120-412](#) [120-909](#) [120-455](#) [121-406](#) [R272-100-000](#) [120-910](#) [R501-001-010](#) [R508-080-000](#) [R508-160-000](#) [R530-120-000](#)