

Features

- MEAN WELL Patent Number: ZL 202223277512.1
- 4"×2" compact size with **low profile (25.4mm)**
- 80~264Vac input with PFC, No load power consumption<0.5W
- **Global certificates in multi-fields**
(ITE 62368-1, Medical 60601-1, Household 60335-1, Industrial 61558-1/-2-16)
- **150%peak load @ 3s**
- **140W** convection, **200W** with FAN **10.98CFM** forced-cooled
- Suitable for **Class I** or **Class II** installations
- Over voltage category **III (OVC III)**
- **-40 ~ +80°C** wide range operation temperature
- High efficiency up to 94%
- Protections: Short circuit / Overload / Over voltage / Over temperature
- Extremely low leakage current
- Operating altitude up to **5000 meters**
- Built-in 12V/0.5A for external FAN
- 3 years warranty

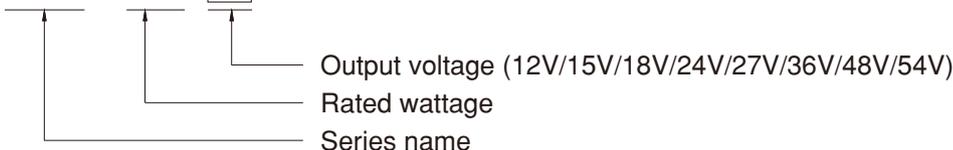
Description

LOP-200 is a 200W highly reliable green PCB type low profile power supply with a high power density (25W/in³) on the 4" by 2" footprint. It accepts 80~264VAC input and offers various output voltages between 12V and 54V. The working efficiency is up to 94% and the extremely low no load powerconsumption is down below 0.5W.

LOP-200 is able to be used for both Class I (with FG) and Class II(no FG) system design. LOP-200 is equipped with complete protection functions; It is complied with the international safety regulations such as IEC/BS EN/EN/UL62368-1,IEC/BS EN/EN60335-1,IEC/BS EN/EN61558-1/-2-16, IEC/BS EN/EN60601-1.LOP-200 serves as a high price-to-performance power supply solution for various industrial applications.The extremely low leakage current is less than 500 μA.In addition, it conforms to the international medical regulations (2*MOPP) and EMC BS EN/EN55011, perfectly fitting all kinds of BF rated "patient contact" medical system equipment.

Model Encoding

LOP - 200 - 12



Applications

- Industrial automation machinery
- Industrial control system
- Mechanical and electrical equipment
- Electronic instruments, equipments or apparatus
- Power sourcing equipment of PoE
- Medical devices

GTIN CODE

MW Search: <https://www.meanwell.com/serviceGTIN.aspx>



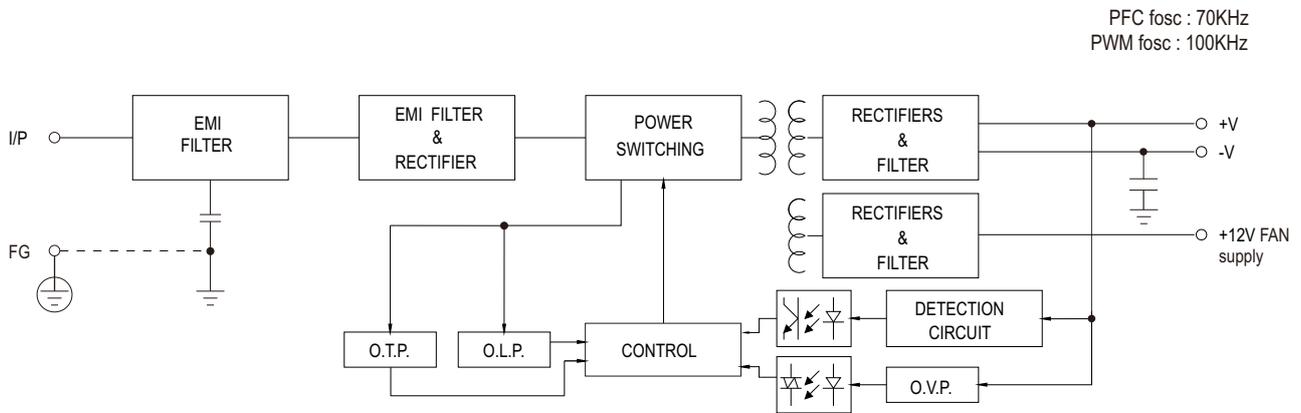
SPECIFICATION

| MODEL | | LOP-200-12 | LOP-200-15 | LOP-200-18 | LOP-200-24 | LOP-200-27 | LOP-200-36 | LOP-200-48 | LOP-200-54 | |
|---------------------|-------------------------------------|---|--------------|--------------|--------------|--------------|--------------|--------------|--------------|----------|
| OUTPUT | DC VOLTAGE | 12V | 15V | 18V | 24V | 27V | 36V | 48V | 54V | |
| | CURRENT | Peak(3sec.) | 25A | 20A | 16.7A | 12.5A | 11.1A | 8.3A | 6.3A | 5.6A |
| | | 10.98CFM | 16.7A | 13.4A | 11.1A | 8.4A | 7.5A | 5.6A | 4.2A | 3.8A |
| | | Convection | 11.7A | 9.4A | 7.8A | 5.9A | 5.3A | 3.9A | 3.0A | 2.7A |
| | RATED POWER | Peak(3sec.) | 300W | 300W | 300.6W | 300W | 299.7W | 298.8W | 302.4W | 302.4W |
| | | 10.98CFM | 200.4W | 201W | 199.8W | 201.6W | 202.5W | 201.6W | 201.6W | 205.2W |
| | | Convection | 140.4W | 141W | 140.4W | 141.6W | 143.1W | 140.4W | 144W | 145.8W |
| | RIPPLE & NOISE (max.) Note.2 | 120mVp-p | 150mVp-p | 180mVp-p | 200mVp-p | 200mVp-p | 250mVp-p | 250mVp-p | 250mVp-p | 250mVp-p |
| | VOLTAGE ADJ. RANGE (MAIN OUTPUT) | 11.4~12.6V | 14.3~15.8V | 17.1~18.9V | 22.8~25.2V | 25.6~29V | 34.2~37.8V | 45.6~50.4V | 52~58V | |
| | VOLTAGE TOLERANCE Note.3 | ±3.0% | ±3.0% | ±3.0% | ±2.0% | ±1.0% | ±1.0% | ±1.0% | ±1.0% | ±1.0% |
| | LINE REGULATION | ±0.5% | ±0.5% | ±0.5% | ±0.5% | ±0.5% | ±0.5% | ±0.5% | ±0.5% | ±0.5% |
| | LOAD REGULATION | ±1.0% | ±1.0% | ±1.0% | ±1.0% | ±1.0% | ±1.0% | ±1.0% | ±1.0% | ±1.0% |
| | SETUP, RISE TIME | 1000ms, 30ms/230VAC 1500ms, 30ms/115VAC at full load | | | | | | | | |
| HOLD UP TIME (Typ.) | 16ms@140W load , 8ms@200W load | | | | | | | | | |
| INPUT | VOLTAGE RANGE Note.4 | 80 ~ 264VAC | | 113 ~ 370VDC | | | | | | |
| | FREQUENCY RANGE | 47 ~ 63Hz | | | | | | | | |
| | POWER FACTOR | PF>0.95/230VAC PF>0.98/115VAC at full load | | | | | | | | |
| | EFFICIENCY (Typ.) | 93% | 93% | 93.5% | 94% | 94% | 94% | 94% | 94% | 94% |
| | AC CURRENT (Typ.) | 2.5A/115VAC | | 1A/230VAC | | | | | | |
| | INRUSH CURRENT (Typ.) | COLD START 40A/115VAC | | | 80A/230VAC | | | | | |
| | LEAKAGE CURRENT | Earth leakage current < 500μA(rms) @ 264VAC , touch current < 70μA(rms) @ 264VAC | | | | | | | | |
| PROTECTION | OVERLOAD | 105 ~ 150% rated output power, Protection type : Hiccup after 3 sec, recovers automatically(3 sec) after fault condition is removed | | | | | | | | |
| | OVER VOLTAGE | 13.2 ~ 15.6V | 16.5 ~ 19.5V | 19.8 ~ 23.4V | 26.4 ~ 31.2V | 29.7 ~ 35.1V | 39.6 ~ 46.8V | 52.8 ~ 62.4V | 59.4 ~ 67.5V | |
| | | Protection type : Shut down o/p voltage, re-power on to recover | | | | | | | | |
| | OVER TEMPERATURE | Protection type : Shut down o/p voltage, recovers automatically after temperature goes down or re-power on to recover | | | | | | | | |
| FUNCTION | EXTERNAL FAN SUPPLY | 12V@0.5A for driving a fan / 12V@0.1A without fan ; (10.98CFM) tolerance -20% ~ +15% at main output 20% rated current | | | | | | | | |
| ENVIRONMENT | WORKING TEMP. | -40 ~ +80°C (Refer to "Derating Curve") | | | | | | | | |
| | WORKING HUMIDITY | 20 ~ 90% RH non-condensing | | | | | | | | |
| | STORAGE TEMP., HUMIDITY | -40 ~ +85°C, 10 ~ 95% RH non-condensing | | | | | | | | |
| | TEMP. COEFFICIENT | ±0.03%/°C (0 ~ 50°C) | | | | | | | | |
| | VIBRATION | 10 ~ 500Hz, 2G 10min./1cycle, 60min. each along X, Y, Z axes | | | | | | | | |

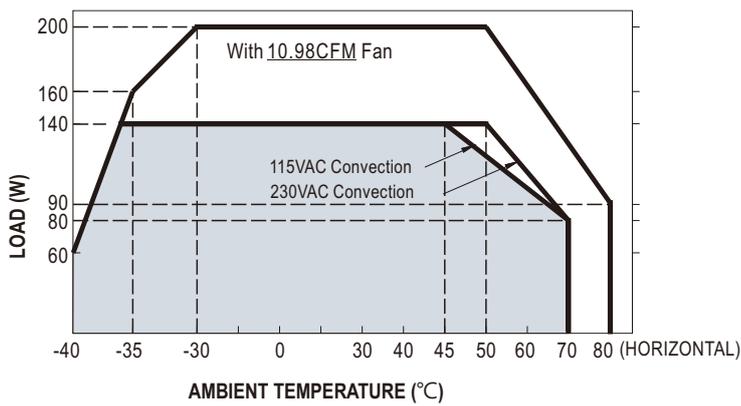


| | | | | |
|--------------------------------|---|---|--|--|
| SAFETY & EMC (Note 5) | SAFETY STANDARDS | CB IEC62368-1, IEC60335-1, IEC61558-1/-2-16, IEC60601-1; TUV BS EN/EN62368-1, BS EN/EN60335-1, BS EN/EN61558-1/-2-16, BS EN/EN60601-1(3.2 Version); UL UL62368-1, ANSI / AAMI ES60601-1(3.2 Version) ; CCC GB4943.1 ; RCM AS/NZS 61558-1/-2-16; EAC TPTC 004 approved. | | |
| | ISOLATION RESISTANCE | Primary-Secondary: 2xMOPP, Primary-Earth:1xMOPP, Secondary-Earth:1xMOPP | | |
| | OVER VOLTAGE CATEGORY | IEC/EN 61558-1/-2-16(OVC III, altitude up to 2000M) IEC/EN/UL 62368-1 (OVC II, altitude up to 5000M) IEC/EN 60335-1 (OVC II, altitude up to 5000M) IEC/EN 60601-1 (OVC II, altitude up to 4000M) | | |
| | PROTECTIVE EXTRA-LOW VOLTAGE | IEC/EN61558-2-16 (SELV) IEC/EN/UL 62368-1 (SELV / ES1) | | |
| | WITHSTAND VOLTAGE | I/P-O/P:4KVAC I/P-FG:2KVAC O/P-FG:1.5KVAC | | |
| | ISOLATION RESISTANCE | I/P-O/P, I/P-FG, O/P-FG:100M Ohms / 500VDC / 25°C/ 70% RH | | |
| | EMC EMISSION | Parameter | Standard | Test Level / Note |
| | | Conducted & Radiated | BS EN/EN55032(CISPR32) BS EN/EN55011(CISPR11) | Class I : Class B , Class II : Class A |
| | | | BS EN/EN55014(CISPR32) | Class I : Class B |
| | | Harmonic Current | BS EN/EN61000-3-2 | Class A |
| Voltage Flicker | | BS EN/EN61000-3-3 | ----- | |
| EMC IMMUNITY | BS EN/EN55035,BS EN/ EN61000-6-2 | | | |
| | Parameter | Standard | Test Level /Note | |
| | ESD | BS EN/EN61000-4-2 | Level 4, 15KV air ; Level 4, 8KV contact | |
| | RF field susceptibility | BS EN/EN61000-4-3 | | |
| | EFT bursts | BS EN/EN61000-4-4 | Level 3, 2KV | |
| | Surge susceptibility | BS EN/EN61000-4-5 | | |
| | Conducted susceptibility | BS EN/EN61000-4-6 | Level 3, 10V | |
| | Magnetic field immunity | BS EN/EN61000-4-8 | | |
| Voltage Dips and interruptions | BS EN/EN61000-4-11 | >95% dip 0. 5 periods, 100% dip 1 periods, 30% dip 25 periods, >95% interruptions 250 periods | | |
| OTHERS | MTBF | 2928.9K hrs min. Telcordia SR-332 (Bellcore) ; 393.9K hrs min. MIL-HDBK-217F (25°C) | | |
| | DIMENSION | 101.6*50.8* 25.4mm (L*W*H) | | |
| | PACKING | 0.21Kg; 36pcs/10Kg/0.95CUFT | | |
| NOTE | <p>1. All parameters NOT specially mentioned are measured at 230VAC input, rated load and 25 of ambient temperature.</p> <p>2. Ripple & noise are measured at 20MHz of bandwidth by using a 12" twisted pair-wire terminated with a 0.1μf & 47μf parallel capacitor.</p> <p>3. Tolerance : includes set up tolerance, line regulation and load regulation.</p> <p>4. Derating may be needed under low input voltages. Please check the derating curve for more details.</p> <p>5. The power supply is considered a component which will be installed into a final equipment. All the EMC tests are been executed by mounting the unit on a 360mm*360mm metal plate with 1mm of thickness. The final equipment must be re-confirmed that it still meets EMC directives. For guidance on how to perform these EMC tests, please refer to "EMI testing of component power supplies." (as available on http://www.meanwell.com)</p> <p>※ Product Liability Disclaimer : For detailed information, please refer to https://www.meanwell.com/serviceDisclaimer.aspx</p> | | | |

Block Diagram

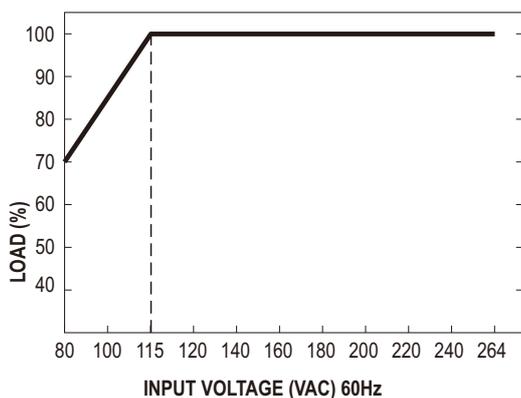


Derating Curve



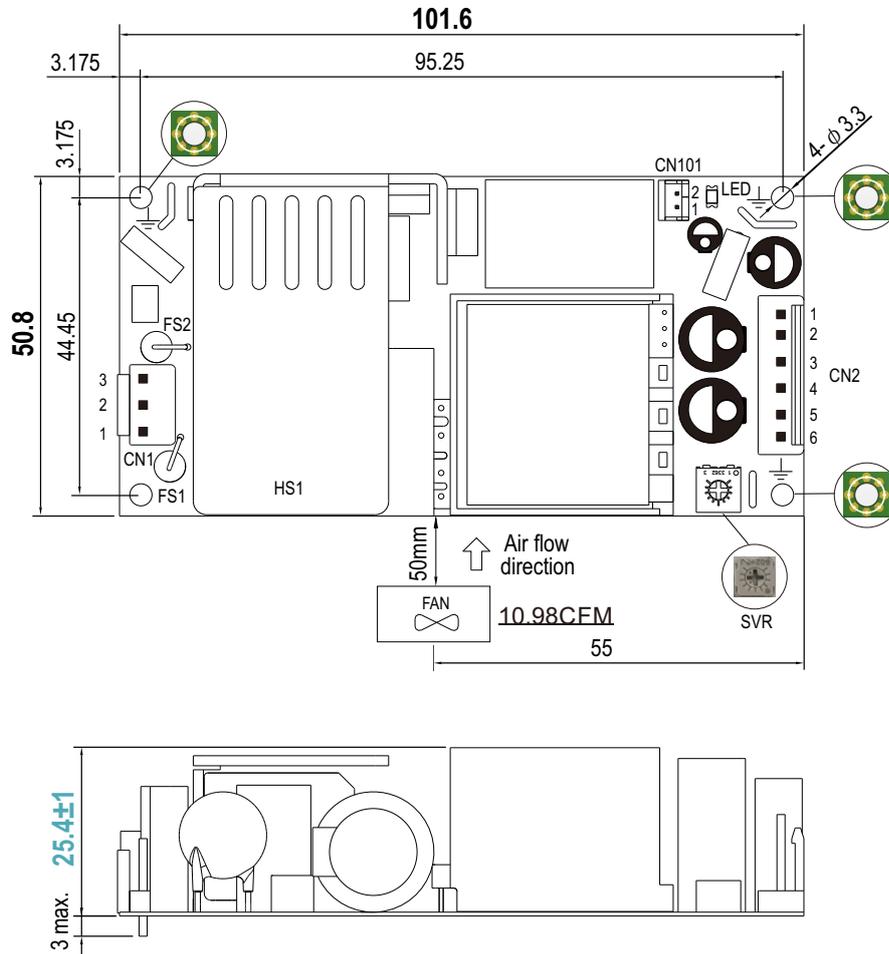
| Cooling | Max. Output Power |
|--------------------------------|-------------------|
| Free air convection | 140W |
| Force-cooled with external Fan | 200W |

Output Derating VS Input Voltage



■ Mechanical Specification

Unit:mm



AC Input Connector (CN1) : JST B3P-VH or equivalent

| Pin No. | Assignment | Mating Housing | Terminal |
|---------|------------|-----------------------|--------------------------------|
| 1 | AC/L | JST VHR or equivalent | JST SVH-21T-P1.1 or equivalent |
| 2 | No Pin | | |
| 3 | AC/N | | |

DC Output Connector (CN2) : JST B6P-VH or equivalent

| Pin No. | Assignment | Mating Housing | Terminal |
|---------|------------|-----------------------|--------------------------------|
| 1,2,3 | +V | JST VHR or equivalent | JST SVH-21T-P1.1 or equivalent |
| 4,5,6 | -V | | |

FAN Connector(CN101) : JSTB2B-PH-K-S or equivalent

| Pin No. | Assignment | Mating Housing | Terminal |
|---------|------------|-------------------------|----------------------------------|
| 1 | +12V | JST PHR-2 or equivalent | JST SPH-002T-P0.5S or equivalent |
| 2 | DC COM | | |

Note:

Class I System: Mounting holes marked with \perp have to be connected to safety earth.

Class II System: Unnecessary to connect with safety earth.

■ Installation Manual

Please refer to : <http://www.meanwell.com/webnet/search/InstallationSearch.html>

X-ON Electronics

Largest Supplier of Electrical and Electronic Components

Click to view similar products for [Switching Power Supplies](#) category:

Click to view products by [Mean Well](#) manufacturer:

Other Similar products are found below :

[70841011](#) [73-551-0005](#) [73-551-0048](#) [EVS57-5R3/A](#) [FAS-002](#) [AAD600S-4-OP](#) [HWS50A-5/RA](#) [KD0204](#) [LDIN100150](#) [FAP-001](#) [FP80](#)
[FRV7000G](#) [22929](#) [PS3E-F12F](#) [CQM1IA121](#) [VI-PU22-EXX](#) [LDIN5075](#) [432703037161](#) [VI-LUL-IU](#) [LPM000-BBAR-08](#) [LPM000-BBAR-07](#)
[08-30466-1055G](#) [DMB-EWG](#) [CQM1IPS01](#) [SP-300-5](#) [MAP40-S233](#) [CQM1-IPS02](#) [VI-MUL-ES](#) [22829](#) [08-30466-0028G](#) [96PSR-](#)
[A460WOTH-2](#) [G06-Q01](#) [GHA300F-12-SNF](#) [MTA040009A](#) [FSA150024A](#) [VI-RUR22-EWXX](#) [VI-PU03-EYW](#) [VI-QCWB3-CSV](#) [HLS30ZE-](#)
[NT8](#) [UT1404-7](#) [ERP-350-12](#) [S8FSG01512C](#) [S8FSG03012C](#) [VI-PU22-EYY](#) [XPFM201A+](#) [S8FS-G15015C](#) [S8FS-G05005C](#) [S8FS-G03015C](#)
[08-30466-020WG](#) [08-30466-1040G](#)