



Features

- Slim width and low profile(20mm)
Fanless design for no noise environment
Withstand 300VAC surge input for 5 seconds
DC OK active signal function
Semi-Potting for high moisture environment
Protections: Short circuit / Over load / Over voltage / Over temperature
Current sharing for redundant function(5V/4.2V/3.3V only)
Operating altitude up to 5000 meter (Note.5)
LED indicator for power on
3 years warranty

Applications

- Industrial automation machinery
Industrial control system
Mechanical and electrical equipment
Electronic instruments, equipments or apparatus
Household appliances
LED display application

Description

LSP-160 series is a 160W single-output slim type power supply with 20mm of low profile design. Adopting the full range 100~264VAC input, the entire series provides an output voltage line of 3.3V,4.2V,5V, 12V, 24V, 36V and 48V. In addition to the high efficiency up to 93.5%, that the whole series operates from -30°C ~ 70°C under air convection without fan. LSP-160 has the complete protection functions and 5G anti-vibration capability; It is complied with the international safety regulations such as TUV EN62368, UL62368 and GB4943. LSP-160 series serves as a high performance power supply solution for various industrial applications.

Model Encoding

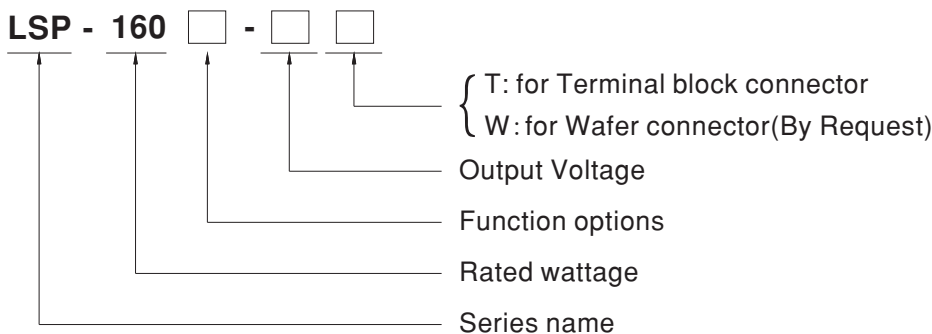


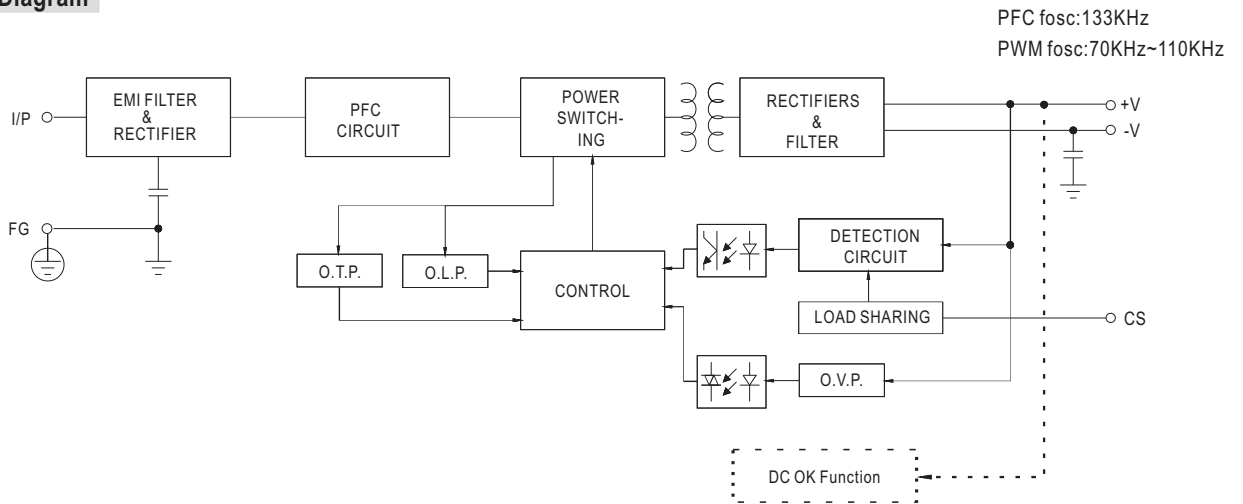
Table with 3 columns: Type, Function, Note. Rows include 'Blank' and 'R' types with their respective functions and stock status.



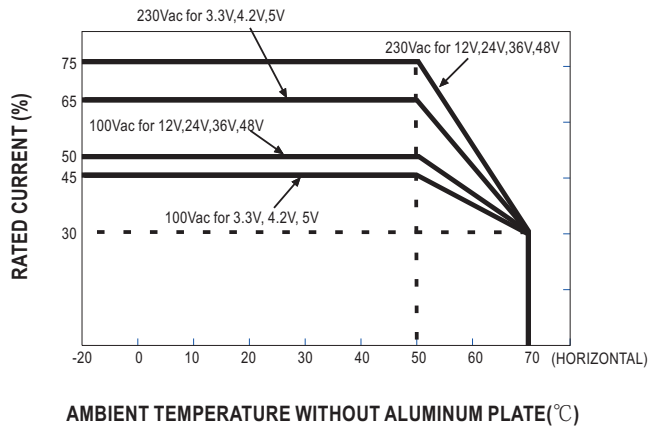
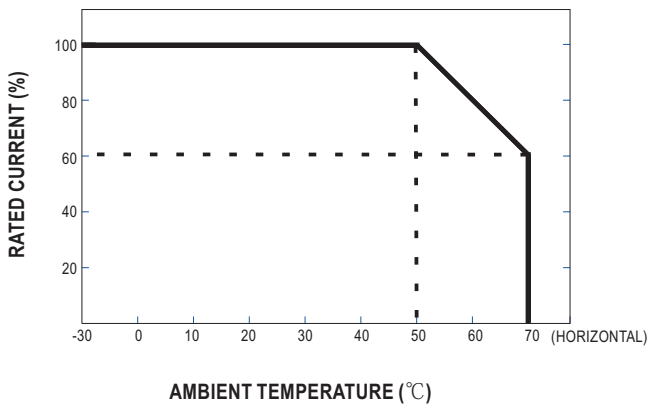
SPECIFICATION

MODEL		LSP-160□-3.3□	LSP-160□-4.2□	LSP-160□-5□	LSP-160-12□	LSP-160-24□	LSP-160-36□	LSP-160-48□	
OUTPUT	DC VOLTAGE	3.3V	4.2V	5V	12V	24V	36V	48V	
	RATED CURRENT	32A	32A	32A	13.5A	6.75A	4.5A	3.4A	
	RATED POWER(convection)	105.6W	134.4W	160W	162W	162W	162W	163.2W	
	RIPPLE & NOISE (max.) Note.2	200mVp-p	200mVp-p	200mVp-p	240mVp-p	240mVp-p	240mVp-p	300mVp-p	
	VOLTAGE ADJ. RANGE	3.2~3.5V	4~4.5V	4.7~5.3V	11.4~12.6V	22.8~25.2V	34.2~37.8V	45.6~50.4V	
	VOLTAGE TOLERANCE Note.3	±2.0%	±2.0%	±2.0%	±1.0%	±1.0%	±1.0%	±1.0%	
	LINE REGULATION	±0.5%	±0.5%	±0.5%	±0.3%	±0.3%	±0.3%	±0.3%	
	LOAD REGULATION	±1.0%	±1.0%	±1.0%	±0.5%	±0.5%	±0.5%	±0.5%	
	SETUP, RISE TIME	2000ms, 80ms/230VAC 3000ms, 80ms/115VAC at full load							
	HOLD UP TIME (Typ.)	10ms/230VAC 10ms/115VAC							
INPUT	VOLTAGE RANGE Note.4	100 ~ 264VAC		141 ~ 370VDC					
	FREQUENCY RANGE	47 ~ 63Hz							
	POWER FACTOR (Typ.)	PF≥0.94/230VAC PF≥0.98/115VAC at full load							
	EFFICIENCY (Typ.)	87.5%	88.5%	89.5%	92.5%	93.5%	93.5%	93.5%	
	AC CURRENT (Typ.)	2.2A/115VAC		1.1A/230VAC					
	INRUSH CURRENT (Typ.)	Cold start 45A/115VAC		85A/230VAC					
	LEAKAGE CURRENT	<0.75mA / 240VAC							
PROTECTION	SHORT CIRCUIT	Hiccup protection, recovers automatically after fault condition is removed							
	OVERLOAD	110~140% rated output power							
		Protection type : Constant current limiting, continuous increase of load will be hiccup protection, recovers automatically after fault condition is removed							
	OVER VOLTAGE	3.8~ 4.6V	4.62 ~ 5.46V	5.75 ~ 6.75V	13.2 ~ 15.6V	26.4 ~ 31.2V	39.6 ~46.8V	52.8 ~ 62.4V	
		Protection type : Shut down O/P voltage, re-power on to recover							
OVER TEMPERATURE	Shut down O/P voltage, re-power on to recover after temperature goes down								
FUNCTION	CURRENT SHARING	Please refer to the Function Manual							
	DC OK SIGNAL	Contact rating(max.):15Vdc/10mA resistive load							
ENVIRONMENT	WORKING TEMP.	-30 ~ +70°C (Refer to "Derating Curve")							
	WORKING HUMIDITY	20 ~ 90% RH non-condensing							
	STORAGE TEMP., HUMIDITY	-40 ~ +85°C, 10 ~ 95% RH non-condensing							
	TEMP. COEFFICIENT	±0.03%/°C (0 ~ 50°C)							
	VIBRATION	10 ~ 500Hz, 5G 10min./1cycle, 60min. each along X, Y, Z axes							
SAFETY & EMC (Note.6)	SAFETY STANDARDS	UL62368, TUV EN62368, CCC GB4943, EAC TP TC 004, BSMI CNS14336-1 approved, Design refer to EN60335-1							
	WITHSTAND VOLTAGE	I/P-O/P:3.75KVAC I/P-FG:2KVAC O/P-FG:1.25KVAC							
	ISOLATION RESISTANCE	I/P-O/P, I/P-FG, O/P-FG:100M Ohms/500VDC/25°C / 70%RH							
	EMC EMISSION	Compliance to EN55032, GB9254, Class B, EN55014, EN61000-3-2, -3, EAC TP TC 020, BSMI CNS13438							
	EMC IMMUNITY	Compliance to EN61000-4-2, 3, 4, 5, 6, 8, 11; EN61000-6-2 (EN50082-2), heavy industry level, criteria A, EAC TP TC 020							
OTHERS	MTBF	699.54K hrs min. Telcordia TR/SR-332(Bellcore) ;282.71K hrs min. MIL-HDBK-217F (25°C)							
	DIMENSION	194*55*20mm (L*W*H)							
	PACKING	0.356kg;30pcs/11.68kg/0.6CUFT							
NOTE	<p>1. All parameters NOT specially mentioned are measured at 230VAC input, rated load and 25°C of ambient temperature.</p> <p>2. Ripple & noise are measured at 20MHz of bandwidth by using a 12" twisted pair-wire terminated with a 0.1uf & 47uf parallel capacitor.</p> <p>3. Tolerance: includes set up tolerance, line regulation and load regulation.</p> <p>4. Derating may be needed under low input voltages. Please check the derating curve for more details.</p> <p>5. The ambient temperature derating of 5°C/1000m is needed for operating altitude greater than 2000m(6500ft)</p> <p>6. The power supply is considered a component which will be installed into a final equipment. The final equipment must be re-confirmed that it still meets EMC directives. For guidance on how to perform these EMC tests, please refer to "EMI testing of component power supplies." (as available on http://www.meanwell.com)</p>								

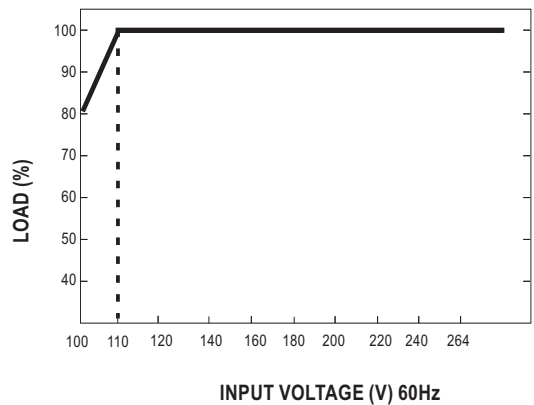
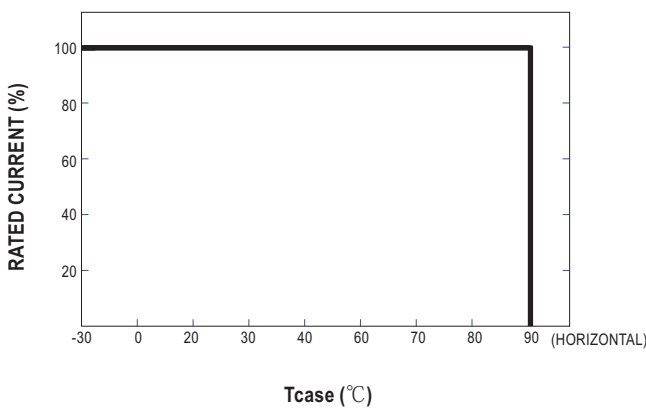
■ Block Diagram



■ Derating Curve



■ STATIC CHARACTERISTIC

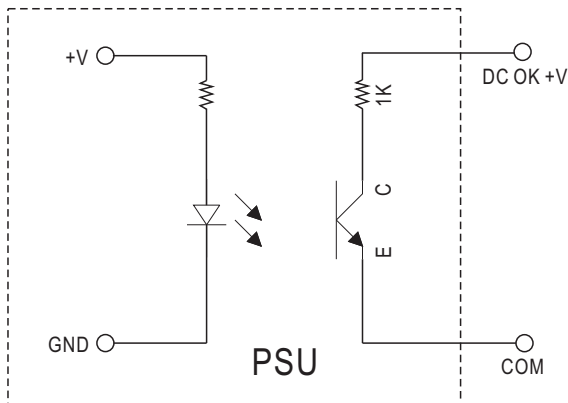


NOTE: Tc measurement point ,please refer page 5 mechanical specification.

Function Manual

1.DC_OK Signal

DC_OK is a collector shorted signal. It is used by an optocoupler in the power supply which indicates the output status of the power supply as exhibited below.



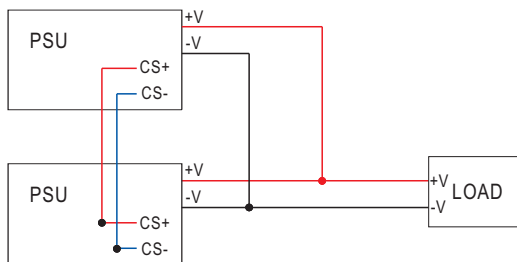
Optocoupler C-E Pin Conduction	PSU turns on	DC ok
Optocoupler C-E Pin Open	PSU turns off	DC fail
Optocoupler Rating(max.)	15Vdc/10mA resistive load	

Power Status	DC_OK signal
Normal	Low
Short circuit/OLP	Hiccup
OVP/OTP/Breakingdown	High

2.Redundant function (Current sharing):

LSP-160 has the built-in active current sharing function and can be connected in parallel, up to 2 units, to provide higher output power as exhibited below :

- ※ The power supplies should be paralleled using short and large diameter wiring and then connected to the load.
 - ※ Difference of output voltages among parallel units should be less than 40mV(Can Fine tune by SVR1).
 - ※ When in parallel operation the maximum load should not be greater than the rated power of any PSU.
 - ※ When out current<(30% rate current) × (Number of unit),the current shared among units may not be fully balanced.
- And the LED indicator maybe flash of one of them,but not effacting normal working.



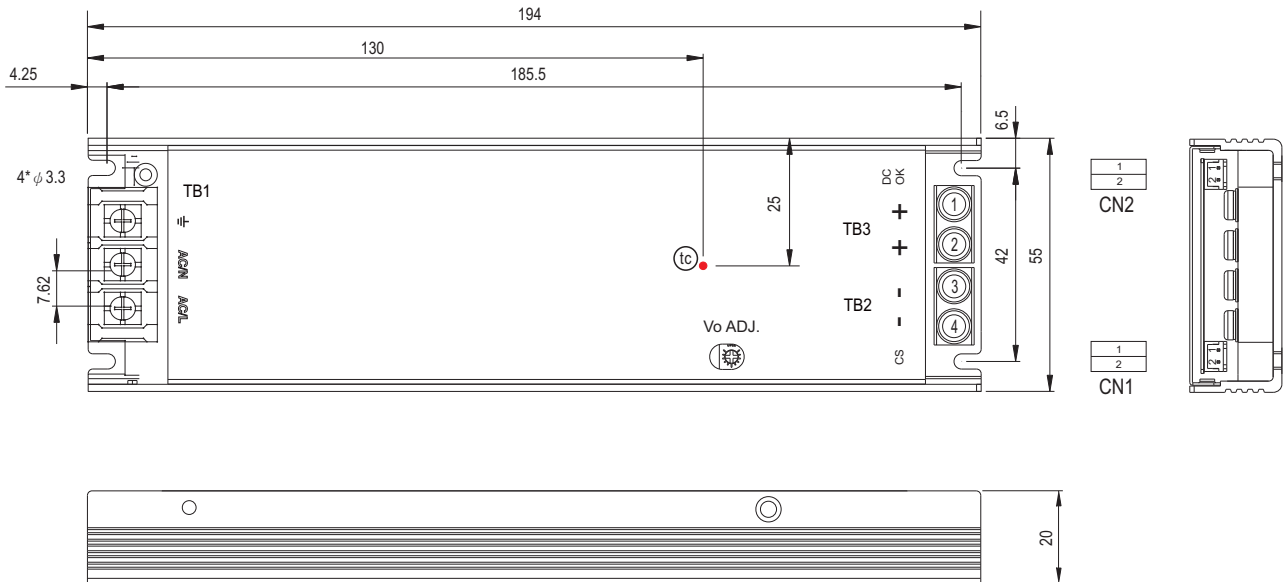
© CS+/CS- on CN1 are connected mutually in parallel(Note:CS+/CS- do not reverse connection).

■ Mechanical Specification

CASE NO.:279

Unit:mm

※ T-type(Terminal block)



AC Input Connector(TB1) pin NO. Assignment

Pin No.	Assignment	Terminal	Max mounting torque
1	AC/L	(DEGSON) DG28C-B-03P	5Kgf-cm
3	AC/N		
5	⏏		

DC Output Connector(TB2/TB3)pin NO. Assignment

Pin No.	Assignment	Terminal	Max mounting torque
1,2	+V	(MW) TB-HTP-200-40A	8Kgf-cm
3,4	-V		

DC OK Connector(CN2):JST B2B-PH-K-S or equivalent

Pin No.	Assignment	Mating Housing	Terminal
1	DC OK +V	JST SPH-002T-P0.5S or equivalent	JST PHR-2 or equivalent
2	DC COM		



CS+/CS- Connector(CN1):JST B2B-PH-K-S or equivalent

Pin No.	Assignment	Mating Housing	Terminal
1	CS+	JST PHR-2 or equivalent	JST SPH-002T-P0.5S or equivalent
2	CS-		

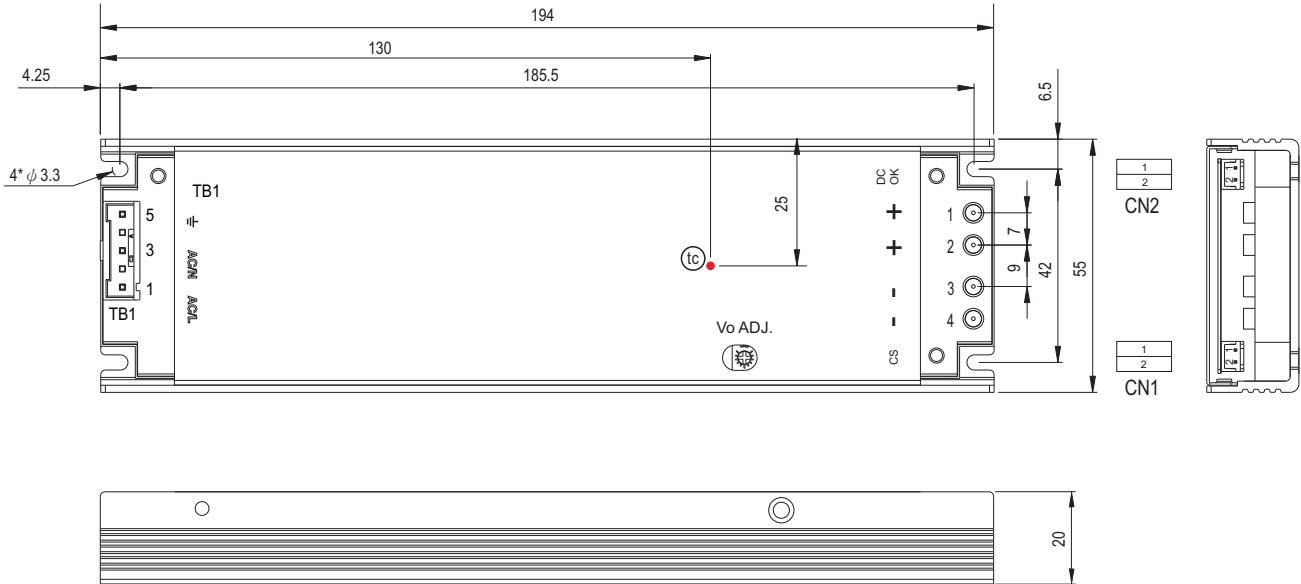
CN mating cable: 1FF5LSP-160-CS

© CN1 and CN2 mating cable by request, please consult MEANWELL for details

CASE NO.:279

Unit:mm

※ W-Type(Wafer connector type optional)



AC Input Connector(TB1) pin NO. Assignment

Pin No.	Assignment	Mating housing	Terminal
1	AC/L	JS-1391-05	JS-1390-05 and JS-2420-TL
3	AC/N		
5	⏏		

DC Output Connector(+V/-V)pin NO. Assignment

Pin No.	Assignment	Mating housing	Terminal
1,2	+V	1EE4LSP-160F	1EE4LSP-160M
3,4	-V		

DC OK Connector(CN2):JST B2B-PH-K-S or equivalent

Pin No.	Assignment	Mating Housing	Terminal
1	DC OK +V	JST SPH-002T-P0.5S or equivalent	JST PHR-2 or equivalent
2	DC COM		



CS+/CS- Connector(CN1):JST B2B-PH-K-S or equivalent

Pin No.	Assignment	Mating Housing	Terminal
1	CS+	JST PHR-2 or equivalent	JST SPH-002T-P0.5S or equivalent
2	CS-		

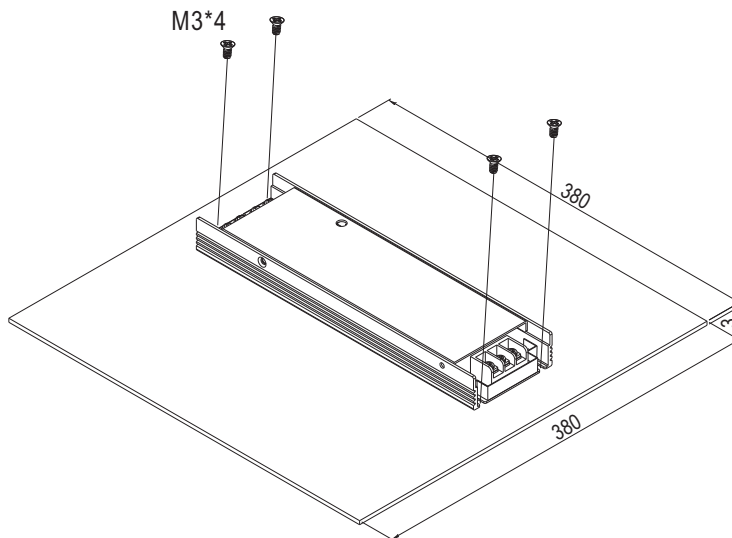
CN mating cable: 1FF5LSP-160-CS

© CN1 and CN2 mating cable by request, please consult MEANWELL for details

■ Installation**1. Operate with additional aluminum plate**

In order to meet the "Derating Curve" and the "Static Characteristics", LSP-160 series must be installed onto an aluminum plate (or the cabinet of the same size) on the bottom. The size of the suggested aluminum plate is shown as below. And for optimizing thermal performance, the aluminum plate must have an even and smooth surface (or coated with thermal grease), and LSP-160 series must be firmly mounted at the center of the aluminum plate.

unit:mm



X-ON Electronics

Largest Supplier of Electrical and Electronic Components

Click to view similar products for [Switching Power Supplies](#) category:

Click to view products by [Mean Well](#) manufacturer:

Other Similar products are found below :

[70841011](#) [73-551-0005](#) [AAD600S-4-OP](#) [R22095](#) [KD0204](#) [9021](#) [S-15F-12](#) [LDIN100150](#) [LPM000-BBAR-01](#) [LPX17S-C](#) [EVS57-10R6/R](#)
[FDC40-24S12](#) [FP80](#) [FRV7000G](#) [22929](#) [CQM1IA121](#) [40370121900](#) [VI-PU22-EXX](#) [40370121910](#) [LDIN5075](#) [432703037161](#) [WRB01X-U](#)
[LPX140-C](#) [08-30466-1040G](#) [09-160CFG](#) [70841004](#) [70841025](#) [VPX3000-CBL-DC](#) [VI-LUL-IU](#) [LPM000-BBAR-05](#) [LPM000-BBAR-08](#)
[LPM124-OUTA1-48](#) [LPM000-BBAR-07](#) [LPM109-OUTA1-10](#) [LPM616-CHAS](#) [08-30466-1055G](#) [08-30466-2175G](#) [DMB-EWG](#) [TVQF-](#)
[1219-18S](#) [6504-226-2101](#) [CQM1IPS01](#) [XPFM201A+](#) [MAP80-4000G](#) [LFP300F-24-TY](#) [SMP21-L20-DC24V-5A](#) [VI-MUL-ES](#) [08-30466-](#)
[0065G](#) [CME240P-24](#) [VI-RU031-EWWX](#) [08-30466-0028G](#)