

■ Features :

- Economical open frame design
- Wide input range
- High efficiency up to 96%
- Remote ON / OFF control
- Compact size 2.0"x0.512"x 0.433"(SIP package)
- Protections: Short circuit / Overload / Over voltage
- -30~+85°C wide working temperature
- Cooling by free air convection
- Comply to EN55032 ClassA without additional components
- Trimming output (optional)
- 3 years warranty

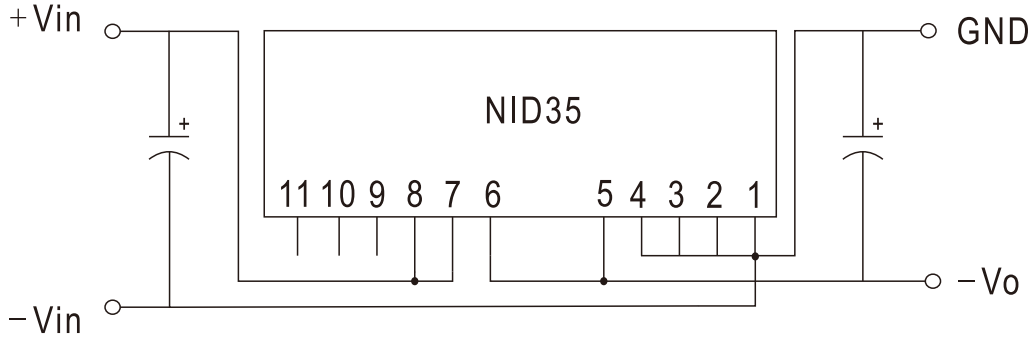


SPECIFICATION

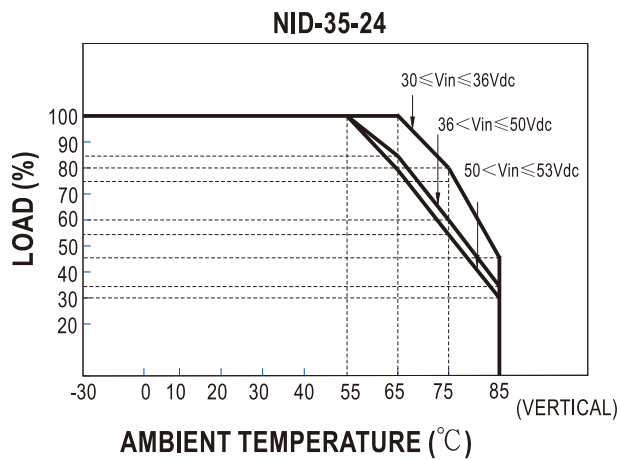
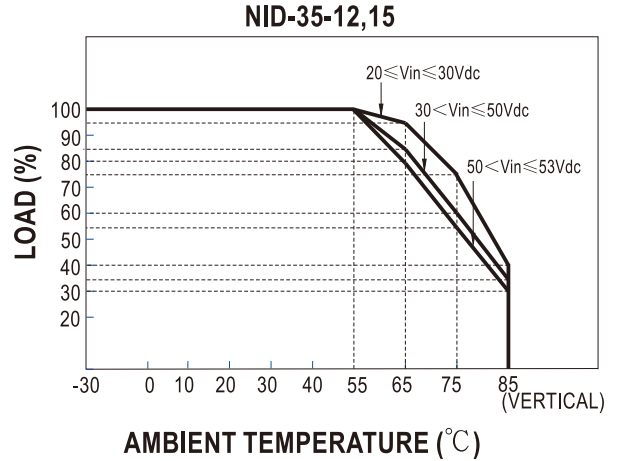
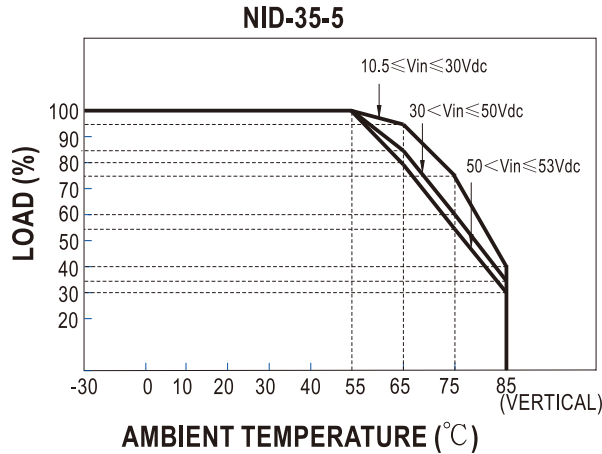
ORDER NO.	NID35-5		NID35-12		NID35-15		NID35-24			
OUTPUT	DC VOLTAGE		5V		12V		15V		24V	
	CURRENT RANGE		0 ~ 3.5A		0 ~ 2.9A		0 ~ 2.4A		0 ~ 1.5A	
	RATED POWER		17.5W		34.8W		36W		36W	
	RIPPLE & NOISE (max.) Note.2		100mVp-p		120mVp-p		150mVp-p		200mVp-p	
	LINE REGULATION Note.3		±0.5%		±0.5%		±0.5%		±0.5%	
	LOAD REGULATION Note.4		±0.5%		±0.5%		±0.5%		±0.5%	
	VOLTAGE TOLERANCE		±2.0%		±2.0%		±2.0%		±2.0%	
	SWITCHING FREQUENCY (Typ.)		200KHz							
EXTERNAL CAPACITANCE LOAD (max.)		100uF / 16V low ESR		68uf/25V low ESR		47uf/50V low ESR		47uf/50V low ESR		
INPUT	VOLTAGE RANGE		10.5 ~ 53VDC		20 ~ 53VDC		20 ~ 53VDC		30 ~ 53VDC	
	NORMAL VOLTAGE		24VDC (or 12VDC or 48VDC)		24VDC (or 48VDC)		24VDC (or 48VDC)		48VDC	
	EFFICIENCY (Typ.)	24Vin	93% (12/24VDC)		95%		96%		-----	
		48Vin	89%		93%		94%		95%	
	DC CURRENT	Full load	1700mA/12VDC		1580mA/24VDC		1620mA/24VDC		840mA/48VDC	
No load		30mA		30mA		30mA		50mA		
PROTECTION		Fuse recommended (3A)								
PROTECTION	OVERLOAD (Typ.)		120 ~ 250% rated output power		Protection type : Hiccup mode, recovers automatically after fault condition is removed					
	OVER VOLTAGE		6.4 ~ 7.5V		15.6~ 18V		17.5~ 21V		28~ 33V	
	SHORT CIRCUIT		All output equipped with short circuit		Protection type : Hiccup mode, recovers automatically after fault condition is removed					
FUNCTION	REMOTE CONTROL		Power on : 1.2VDC < R.C ~ com < 12VDC or open circuit ; power off : R.C ~ com < 0.4VDC or short circuit (PIN5,6 & PIN11)							
ENVIRONMENT	SAFETY STANDARDS		EAC TP TC 004 approved							
	WORKING TEMP.		-30 ~ +85°C (Refer to "Derating Curve")							
	WORKING HUMIDITY		20% ~ 85% RH non-condensing							
	STORAGE TEMP.		-30 ~ +105°C							
	TEMP. COEFFICIENT		±0.03% / °C (0 ~ 55°C)							
VIBRATION		10 ~ 500Hz, 2G 10min./1 cycle, period for 60min. each along X, Y, Z axes								
SAFETY & EMC	SAFETY STANDARD		EN62368-1(LVD)							
	EMC EMISSION	Parameter	Standard		Test Level / Note					
		Conducted	EN55032		Class A without external components, Class B with external components					
	EMC IMMUNITY	Parameter	Standard		Test Level / Note					
		Radiated	EN61000-4-3		Level 2, 3V/m ; criteria A					
		EFT / Burst	EN61000-4-4		Level 2, 1KV ; criteria A					
		Surge	EN61000-4-5		Level 2, 1KV/Line-Line, criteria A					
Conducted		EN61000-4-6		Level 2, 3V ; criteria A						
OTHERS	DIMENSION		50.8*13*11mm or 2.0**0.512**0.433" inch (L*W*H)							
	WEIGHT		9g;440psc/4.96Kg/0.97CUFT							
NOTE			1.All parameters are specified at normal input, rated load, 25°C 70% RH Ambient.							
			2.Ripple & noise are measured at 20MHz by using a 12" twisted pair terminated with a 0.1uf & 47uf capacitor.							
			3.Line regulation is measured from low line to high line at rated load.							
			4.Load regulation is measured from 10% to 100% rated load.							

■ **Connection diagram to obtain negative output voltage**

Note: input voltage must be < 30VDC.

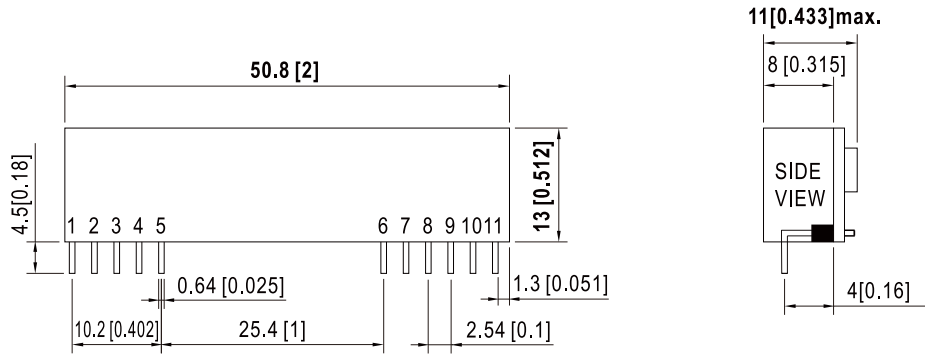


■ **Derating Curve**



Mechanical Specification

Unit:mm(inch)

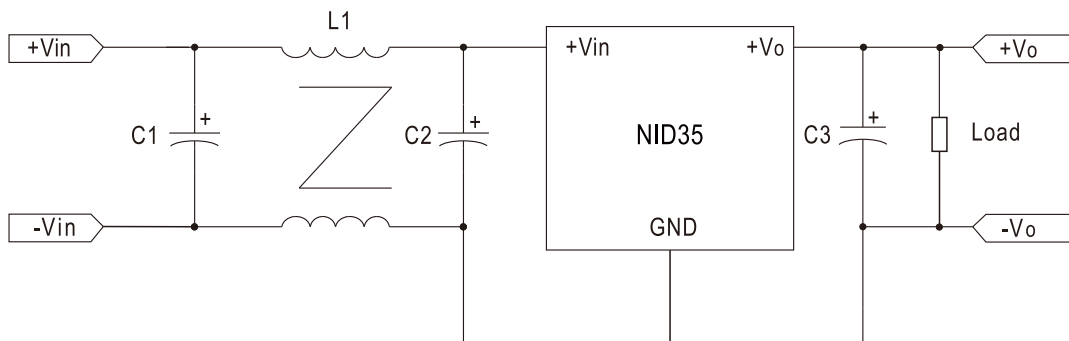


Pin Configuration

Pin No.	Pin_Out
1,2,3,4	+Vout
5,6	Com
7,8	+Vin
9	N.C.
10	Trim(optional)
11	R.C.

EMC Suggestion Circuit

※Comply to EN55032 Class A without additional components ,required external components to meet Class B emission are as below:



C1/C2	L1	C3
120 μ F/63V	15 μ H(NiZn)	22 μ F/35V

X-ON Electronics

Largest Supplier of Electrical and Electronic Components

Click to view similar products for [Non-Isolated DC/DC Converters](#) category:

Click to view products by [Mean Well](#) manufacturer:

Other Similar products are found below :

[BRFS50](#) [APTH003A0X-SRZ](#) [SPM1004-3V3C](#) [APXW012A0X3-SRDZ](#) [R-785.0-05](#) [BRFS30](#) [PJT020A0X43-SRZ](#) [10E24-P15-10PPM](#) [1E24-P4-25PPM-SHV-5KV](#) [CA-17205-L4](#) [4D15-N1](#) [MYGTM01210BZN](#) [APXW012A0X3-SRDZ](#) [I6A24008A033V-N00-R](#) [10C24-N250-I10-AQ-DA](#) [4AA24-P20-M-H](#) [DX150N](#) [3V12-N0.8](#) [2HVA24-BP1-F-25PPM-SHV-5KV](#) [5HVA24-BP1-F-25PPM-SHV-5KV](#) [1/2AA24-P30-I10](#) [1C24-P20-M-C](#) [VI-920194B](#) [T31SN24005NMFA](#) [3V24-P1](#) [3V24-N1](#) [BMR4672010/001](#) [BMR4652010/001](#) [BMR4668004/001](#) [T31SN12008NMFA](#) [6AA24-P30-I5-M](#) [6AA24-N30-I5-M](#) [PTV03020WAH](#) [PTV05020WAH](#) [PTV12010LAH](#) [PTV12020WAD](#) [R-625.0D](#) [R-7212D](#) [R-7212P](#) [R-745.0D](#) [R-78AA15-0.5SMD](#) [R-78AA5.0-1.0SMD](#) [30A24-N15-E](#) [10A12-P4-M](#) [10C24-N250-I5](#) [10C24-P125](#) [10C24-P250-I5](#) [6A24-P20-I10-F-M-25PPM](#) [1A24-P30-F-M-C](#) [TSR 1-24150SM](#)