



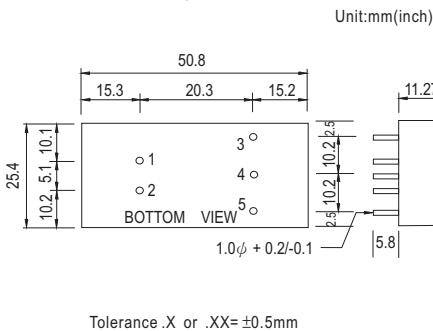
- Features :
  - 2:1 wide input range
  - 4:1 wide input range(option)
  - 1000VDC I/O isolation
  - 3000VDC I/O isolation(option)
  - Built-in EMI filter
  - Protections: Short circuit / Overload
  - Cooling by free air convection
  - Six-sided shield metal case
  - 100% burn-in test
  - Low cost / High reliability
  - Approvals: FCC / EAC / CE / UKCA
  - 2 years warranty



**SPECIFICATION**

ORDER NO.	SKA15A-033	SKA15B-033	SKA15C-033	SKA15A-05	SKA15B-05	SKA15C-05	SKA15A-12	SKA15B-12	SKA15C-12	SKA15A-15	SKA15B-15	SKA15C-15		
<b>OUTPUT</b>	DC VOLTAGE			5V			12V			15V				
	CURRENT RANGE			300 ~ 3000mA			125 ~ 1250mA			100 ~ 1000mA				
	RATED POWER			15W										
	RIPPLE & NOISE (max.) Note.2			50mVp-p			60mVp-p			60mVp-p				
	LINE REGULATION Note.3			±0.2%										
	LOAD REGULATION Note.4			±0.5%										
	VOLTAGE ACCURACY			±2.0%										
	SWITCHING FREQUENCY			150KHz min.										
EXTERNAL CAPACITANCE LOAD (max.)			2700uF	2700uF	1000uF	2700uF	2700uF	1000uF	1800uF	1800uF	680uF	1500uF	1500uF	560uF
<b>INPUT</b>	VOLTAGE RANGE													
	EFFICIENCY (Typ.)													
	DC CURRENT													
	FILTER													
	PROTECTION													
<b>PROTECTION</b> (Note. 5)	OVER CURRENT													
	SHORT CIRCUIT													
<b>ENVIRONMENT</b>	WORKING TEMP.													
	WORKING HUMIDITY													
	STORAGE TEMP., HUMIDITY													
	TEMP. COEFFICIENT													
	VIBRATION													
<b>SAFETY &amp; EMC</b>	SAFETY STANDARDS													
	WITHSTAND VOLTAGE													
	ISOLATION RESISTANCE													
	EMC EMISSION													
	EMC IMMUNITY													
<b>OTHERS</b>	MTBF													
	DIMENSION													
	WEIGHT													

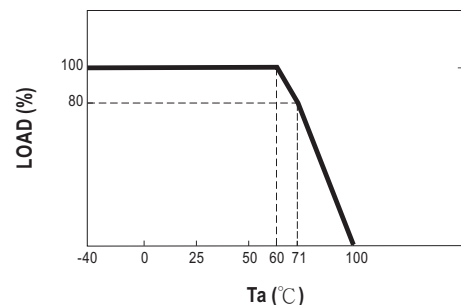
**Mechanical Specification**



**Pin Configuration**

Pin No.	Output
1	+Vin
2	-Vin
3	+Vout
4	No Pin
5	-Vout

**Derating Curve**



**NOTE**

- All parameters are specified at normal input, rated load, 25°C 70% RH ambient.
  - Ripple & noise are measured at 20MHz by using a 12" twisted pair terminated with a 0.1uF & 47uF capacitor.
  - Line regulation is measured from low line to high line at rated load.
  - Load regulation is measured from 10% to 100% rated load.
  - Please prevent the converter from operating in overload or short circuit condition for more than 30 seconds.
- ※ Product Liability Disclaimer : For detailed information, please refer to <https://www.meanwell.com/serviceDisclaimer.aspx>

## X-ON Electronics

Largest Supplier of Electrical and Electronic Components

*Click to view similar products for [Isolated DC/DC Converters](#) category:*

*Click to view products by [Mean Well](#) manufacturer:*

Other Similar products are found below :

[ESM6D044440C05AAQ](#) [FMD15.24G](#) [PSL486-7LR](#) [Q48T30020-NBB0](#) [JAHW100Y1](#) [SPB05C-12](#) [SQ24S15033-PS0S](#) [19-130041](#) [CE-1003](#)  
[CE-1004](#) [GQ2541-7R](#) [RDS180245](#) [MAU228](#) [J80-0041NL](#) [DFC15U48D15](#) [XGS-0512](#) [XGS-1205](#) [XGS-1212](#) [XGS-2412](#) [XGS-2415](#) [XKS-](#)  
[1215](#) [06322](#) [NCT1000N040R050B](#) [SPB05B-15](#) [SPB05C-15](#) [L-DA20](#) [DCG40-5G](#) [QME48T40033-PGB0](#) [XKS-2415](#) [XKS-2412](#) [XKS-2405](#)  
[XKS-1212](#) [XKS-1205](#) [XKS-0515](#) [XKS-0505](#) [XGS-2405](#) [XGS-1215](#) [XGS-0515](#) [PS9Z-6RM4](#) [73-551-5038I](#) [AK1601-9RT](#) [VI-R5022-](#)  
[EXWW](#) [PSC128-7iR](#) [RPS8-350ATX-XE](#) [DAS1004812](#) [VI-LJ11-iz](#) [PQA30-D24-S24-DH](#) [VI-M5F-CQ](#) [VI-LN2-EW](#) [VI-PJW01-CZY](#)