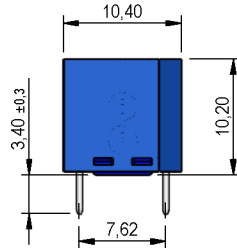
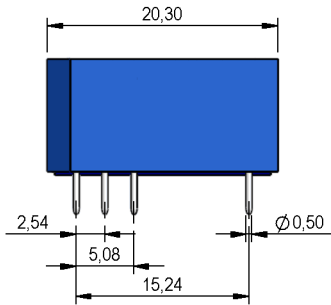
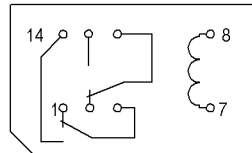


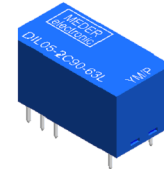
Dimensions mm[inch]
 tolerances acc. to DIN ISO 2768-m
 Toleranzen gem. DIN ISO 2768-m



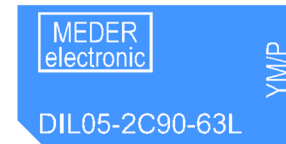
Layout
 Top view
 Draufsicht



Isometric
 Scale 1:2
 Maßstab 1:2



Marking
 according to EN60062/factory code
 gem. EN60062/Fertigungsstätte



Coil Data at 20 °C	Conditions	Min	Typ	Max	Unit
Coil resistance		135	150	165	Ohm
Coil voltage			5		VDC
Rated power			167		mW
Pull-In voltage				3,5	VDC
Drop-Out voltage		0,75			VDC

Contact data 90	Conditions	Min	Typ	Max	Unit
Contact rating	Any DC combination of V & A not to exceed their individual max.'s			10	W
Switching voltage	DC or Peak AC/ with 40% overdrive			175	V
Switching current	DC or Peak AC/with 40% overdrive			250	mA
Carry current	DC or Peak AC/ with 40% overdrive			1	A
Contact resistance static	Measured with 40% overdrive Start Value			150	mOhm
Insulation resistance	RH <45 %, 100 V test voltage	1			TOhm
Breakdown voltage	according to EN 60255-5	200			VDC
Operate time, incl. bounce	measured with 40% overdrive			0,7	ms
Release time	measured with no coil excitation			1,5	ms
Capacity	@ 10 kHz across open switch		1		pF

Special Product Data	Conditions	Min	Typ	Max	Unit
Number of contacts				2	
Contact - form				Form C - Changeover	
Dielectric Strength Coil/Contact	according to EN 60255-5	1,5			kV DC
Insulation resistance Coil/Contact	RH <45%, 200 VDC test voltage	1			TOhm
Case colour				blue	
Housing material				PBT glass fibre reinforced	
Sealing compound				Polyurethan	
Connection pins				Copper alloy tin plated	
Reach / RoHS conformity				yes	

Modifications in the sense of technical progress are reserved



Products for tomorrow...

Europe: +49 / 7731 8399 0 | Email: info@meder.com
USA: +1 / 508 295 0771 | Email: salesusa@meder.com
Asia: +852 / 2955 1682 | Email: salesasia@meder.com

Item No.:
1305290063
Item:
DIL05-2C90-63L

Environmental data	Conditions	Min	Typ	Max	Unit
Shock	1/2 sine wave duration 11ms			50	g
Vibration	from 10 - 2000 Hz			20	g
Operating temperature		-20		70	°C
Storage temperature		-25		85	°C
Soldering temperature	wave soldering max. 5 sec.			260	°C
Washability		fully sealed			

General data	Conditions	Min	Typ	Max	Unit
Packaging		plastik tube a 25 pcs.			

Modifications in the sense of technical progress are reserved

Designed at: 11.02.09 Designed by: MPOTUZAK Approval at: 12.02.09 Approval by: DSTASTNY
Last Change at: 20.12.12 Last Change by: SSCHNECKENBURGER Approval at: 20.12.12 Approval by: SSCHNECKENBURGER Version: 08

X-ON Electronics

Largest Supplier of Electrical and Electronic Components

Click to view similar products for [MEDER](#) manufacturer:

Other Similar products are found below :

[MK11-B8-BV51208](#) [8805271800](#) [HE12-1A69-02](#) [MH21-11L-300W](#) [MH21-11S-300W](#) [MK07-1B90C-3000W](#) [MK18U-BV14749](#) [BT05-2A66](#) [SIL05-1A75-71D](#) [8512169002](#) [MRE12-1A79-HI](#) [HE24-1A83-02](#) [HE12-1B83](#) [8524183002](#) [DIP15-2A72-21L](#) [HM05-1A69-02](#) [HM24-1A83-26](#) [3215272021](#) [4212187075](#) [MS12-1A87-75L](#) [RM05-4AS-4/4](#) [MK04-BV14147](#) [DIL24-1A31-13D](#) [MK9-1B90-BV260](#) [BE24-1A85-P](#) [H24-1B69](#) [HM24-1A69-06](#) [MK21P-KIT](#) [NP05-1A66-500-213](#) [1924183110](#) [HM24-1A83-08](#) [MRX05-1A71](#) [M21P/2](#) [MK3-1C90B-BV10450](#) [9151710023](#) [3205001051](#) [4205187875](#) [DIP12-1B72-19M](#) [ORD228VL/20-30 AT](#) [BE05-1A85-P](#) [MK11-BV50921](#) [H24-1B83](#) [FPS-T](#) [HM24-1A83-02](#) [2227000000](#) [MK02/7-0](#) [HM12-1A83-03](#) [GP560/10-15](#) [MK18-B-190W](#) [DIP24-1C90-51D](#)