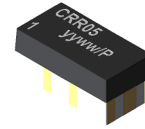
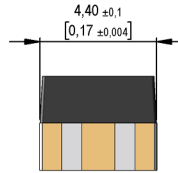
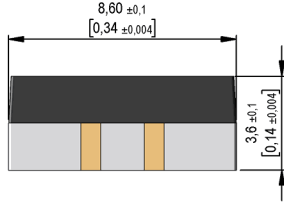


Dimensions mm[inch]
 tolerances acc. to DIN ISO 2768-m
 Toleranzen gem. DIN ISO 2768-m

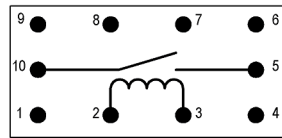
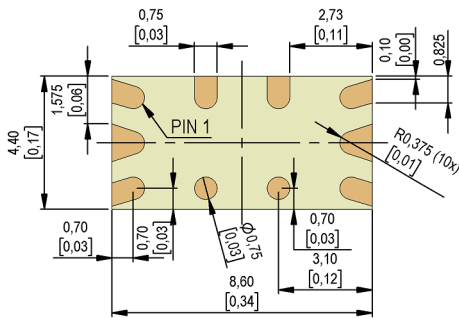
Isometric
 Scale 2:1
 Maßstab 2:1



Relay pad layout
 Bottom view / Ansicht von unten

Layout
 Top view
 Draufsicht

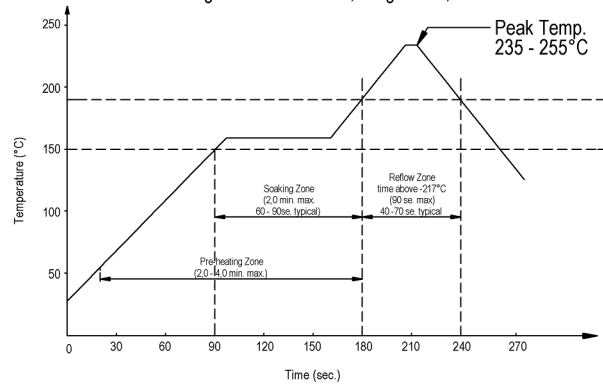
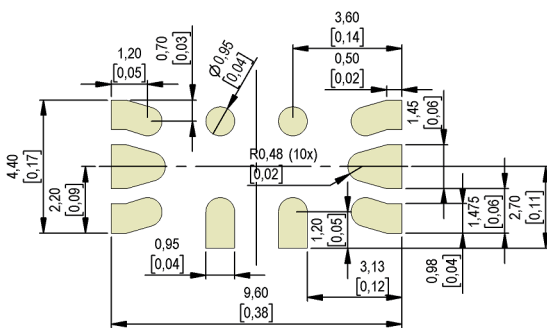
Marking
 according to EN60062/factory code
 gem. EN60062/Fertigungsstätte



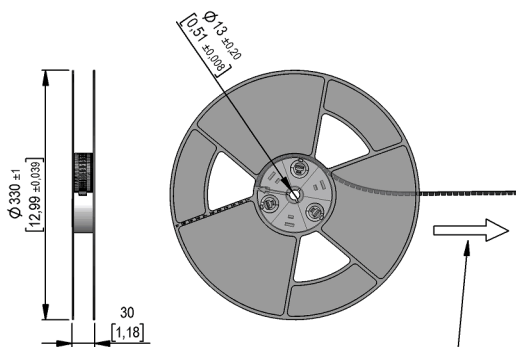
Recommended PCB Pad Layout
 top view / Ansicht von oben

Recommended Reflow Lead-free Profile

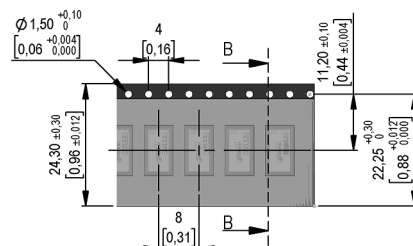
(acc. to JEDEC J-STD 020D.1)
 for usage with a tinn Sn96,5/ Ag3/ Cu0,5



Relay packaging orientation



Direction of Feed
 Tape Leader 400mm
 Vorlauf vor dem ersten Relais 400mm



Coil pads facing opposite to the Feed Direction
 Spulenpads in gegen der Vorschubrichtung orientiert

B-B (1 : 1.5)



Europe: +49 / 7731 8399 0

| Email: info@standexmeder.com

Item No.:

USA: +1 / 508 295 0771

| Email: salesusa@standexmeder.com

9605180012

Asia: +852 / 2955 1682

| Email: salesasia@standexmeder.com

Item:

CRR05-1A

Coil Data at 20 °C	Conditions	Min	Typ	Max	Unit
Coil resistance		135	150	165	Ohm
Coil voltage			5		VDC
Rated power			167		mW
Pull-In voltage				3,75	VDC
Drop-Out voltage		0,75			VDC

Contact data 80	Conditions	Min	Typ	Max	Unit
Contact-material		Rhodium			
Contact-rating	Any DC combination of V & A not to exceed their individual max.'s			10	W
Switching voltage	DC or Peak AC			170	V
Switching current	DC or Peak AC			0,5	A
Carry current	DC or Peak AC			1	A
Contact resistance static	Measured with 40% overdrive Start Value			200	mOhm
Insulation resistance	RH <45 %, 100 V test voltage	100	1.000		GOhm
Breakdown voltage	according to EN 60255-5	210			VDC
Operate time incl. bounce	measured with 40% overdrive			0,6	ms
Release time	measured with no coil excitation			0,05	ms
Capacitance	@ 10 kHz above open switch		0,3	0,5	pF

Special Product Data	Conditions	Min	Typ	Max	Unit
Number of contacts		1			
Contact - form		A - NO			
Contact Bulk Resistance	Through all plated material on substrate		260	440	mOhm
Dielectric Strength Coil/Contact	according to EN 60255-5	1,5			kV DC
Insulation resistance Coil/Contact	RH <45%, 200 VDC Measuring Voltage	10	100		TOhm
Capacitance Coil/Contact	@ 10 kHz		0,9	1,1	pF
Case color		black/white			
Housing material		Ceramic + mineral filled epoxy			
Material connection pads		W, Ni, gold plated			
Magnetic Shield		yes, internal			
Approval		UL-File No. NRNT2.E156887			
Reach / RoHS conformity		yes			

Environmental data	Conditions	Min	Typ	Max	Unit
Shock	1/2 sine, duration 11ms, in 3 axis			50	g
Vibration	from 10 - 2000 Hz			20	g
Operating temperature		-40		125	°C
Storage temperature		-55		125	°C
Soldering Temperature Tsold	Reflow acc.IPC/JEDEC J-STD-020D.1			255	°C
Washability		fully sealed			

General data	Conditions	Min	Typ	Max	Unit
Total weight			0,37		g
Packaging		Tape & Reel / 1000 pcs.			

Modifications in the sense of technical progress are reserved

Designed at: 07.12.09 Designed by: MAPODACA

Approval at: 21.07.11 Approval by: CRUF

Last Change at: 14.09.17 Last Change by: WKOVACS

Approval at: 26.10.17 Approval by: DSTASTNY

Version: 08

X-ON Electronics

Largest Supplier of Electrical and Electronic Components

Click to view similar products for [MEDER](#) manufacturer:

Other Similar products are found below :

[MK11-B8-BV51208](#) [8805271800](#) [DIP12-1A72-11L](#) [DIP12-1A72-12M](#) [DIP24-1B72-19L](#) [HE12-1A69-02](#) [MH21-11L-300W](#) [MH21-11S-300W](#) [MK07-1B90C-3000W](#) [MK18U-BV14749](#) [BT05-2A66](#) [DIP05-1A72-12A](#) [DIP12-1A72-12A](#) [DIP12-1B72-19M](#) [8512169002](#) [MRE12-1A79-HI](#) [HE24-1A83-02](#) [HE12-1B83](#) [8524183002](#) [DIP15-2A72-21L](#) [HM05-1A69-02](#) [HM24-1A83-26](#) [3215272021](#) [SIL05-1A75-71D](#) [4212187075](#) [MS12-1A87-75L](#) [RM05-4AS-4/4](#) [MK04-BV14147](#) [DIL24-1A31-13D](#) [MK9-1B90-BV260](#) [BE24-1A85-P](#) [H24-1B69](#) [HM24-1A69-06](#) [MK21P-KIT](#) [NP05-1A66-500-213](#) [1924183110](#) [HM24-1A83-08](#) [MRX05-1A71](#) [M21P/2](#) [MK3-1C90B-BV10450](#) [9151710023](#) [3205001051](#) [4205187875](#) [ORD228VL/20-30 AT](#) [BE05-1A85-P](#) [MK11-BV50921](#) [H24-1B83](#) [FPS-T](#) [HM24-1A83-02](#) [2227000000](#)