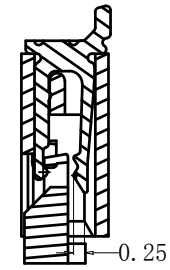
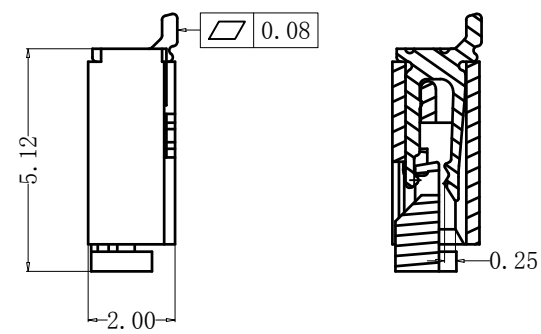
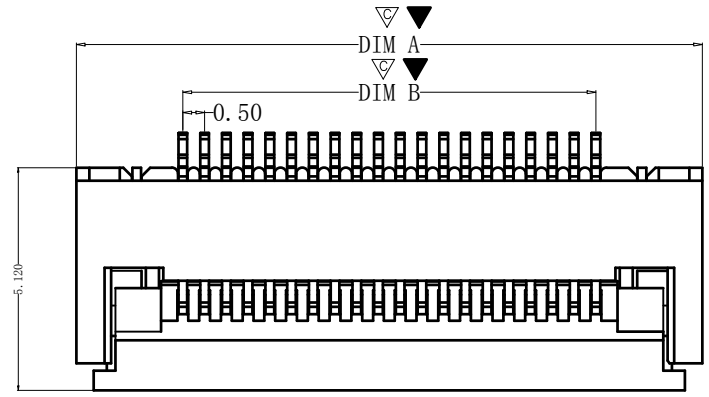


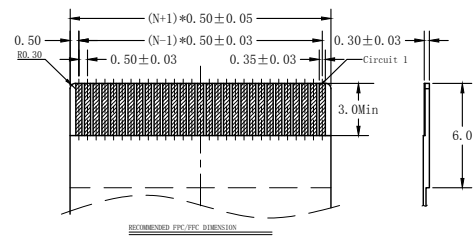
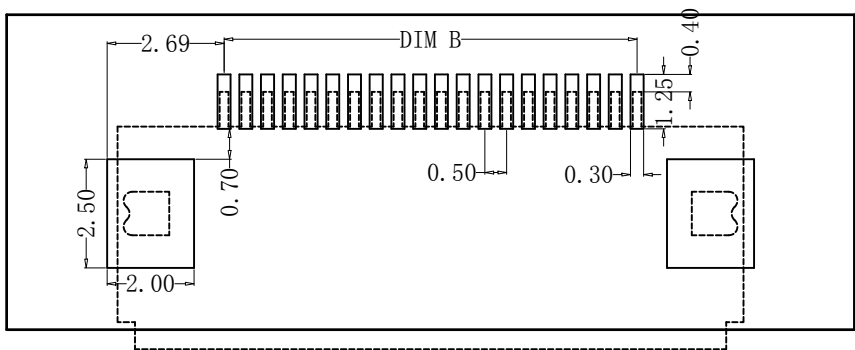
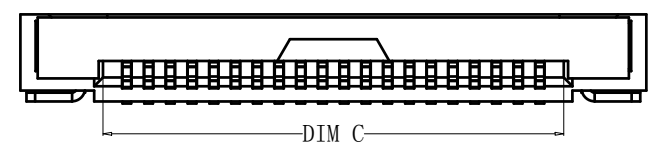
| REV. | DESCRIPTION | APPD | DATE |
|------|-------------|------|------|
|      |             |      |      |



NOTES:  
 1.MATERIAL:  
 HOUSING: HIGH TEMPERATURE THERMOPLASTIC UL94V\_0,COLOR:BLACK.  
 CONTACT: COPPER ALLOYS.  
 2.PLATING:  
 UNDERPLATE: NICKEL.  
 CONTACT AREA: TIN OVER NICKEL.  
 3.MULTIMEDIA CARD COMPATIBLE

| PIN NO. | DIM. A | DIM. B | DIM. C |
|---------|--------|--------|--------|
| 28      | 18.40  | 13.50  | 14.57  |
| 29      | 18.90  | 14.00  | 15.07  |
| 30      | 19.40  | 14.50  | 15.57  |
| 31      | 19.90  | 15.00  | 16.07  |
| 32      | 20.40  | 15.50  | 16.57  |
| 33      | 20.90  | 16.00  | 17.07  |
| 34      | 21.40  | 16.50  | 17.57  |
| 35      | 21.90  | 17.00  | 18.07  |
| 36      | 22.40  | 17.50  | 18.57  |
| 37      | 22.90  | 18.00  | 19.07  |
| 38      | 23.40  | 18.50  | 19.57  |
| 39      | 23.90  | 19.00  | 20.07  |
| 40      | 24.40  | 19.50  | 20.57  |
| 41      | 24.90  | 20.00  | 21.07  |
| 42      | 25.40  | 20.50  | 21.57  |
| 43      | 25.90  | 21.00  | 22.07  |
| 44      | 26.40  | 21.50  | 22.57  |
| 45      | 26.90  | 22.00  | 23.07  |
| 46      | 27.40  | 22.50  | 23.57  |
| 47      | 27.90  | 23.00  | 24.07  |
| 48      | 28.40  | 23.50  | 24.57  |
| 49      | 28.90  | 24.00  | 25.07  |
| 50      | 29.40  | 24.50  | 25.57  |
| 51      | 29.90  | 25.00  | 26.07  |
| 52      | 30.40  | 25.50  | 26.57  |
| 53      | 30.90  | 26.00  | 27.07  |
| 54      | 31.40  | 26.50  | 27.57  |
| 55      | 31.90  | 27.00  | 28.07  |
| 56      | 32.40  | 27.50  | 28.57  |
| 57      | 32.90  | 28.00  | 29.07  |
| 58      | 33.40  | 28.50  | 29.57  |
| 59      | 33.90  | 29.00  | 30.07  |
| 60      | 34.40  | 29.50  | 30.57  |

| PIN NO. | DIM. A | DIM. B | DIM. C |
|---------|--------|--------|--------|
| 04      | 6.40   | 1.50   | 2.57   |
| 05      | 6.90   | 2.00   | 3.07   |
| 06      | 7.40   | 2.50   | 3.57   |
| 07      | 7.90   | 3.00   | 4.07   |
| 08      | 8.40   | 3.50   | 4.57   |
| 09      | 8.90   | 4.00   | 5.07   |
| 10      | 9.40   | 4.50   | 5.57   |
| 11      | 9.90   | 5.00   | 6.07   |
| 12      | 10.40  | 5.50   | 6.57   |
| 13      | 10.90  | 6.00   | 7.07   |
| 14      | 11.40  | 6.50   | 7.57   |
| 15      | 11.90  | 7.00   | 8.07   |
| 16      | 12.40  | 7.50   | 8.57   |
| 17      | 12.90  | 8.00   | 9.07   |
| 18      | 13.40  | 8.50   | 9.57   |
| 19      | 13.90  | 9.00   | 10.07  |
| 20      | 14.40  | 9.50   | 10.57  |
| 21      | 14.90  | 10.00  | 11.07  |
| 22      | 15.40  | 10.50  | 11.57  |
| 23      | 15.90  | 11.00  | 12.07  |
| 24      | 16.40  | 11.50  | 12.57  |
| 25      | 16.90  | 12.00  | 13.07  |
| 26      | 17.40  | 12.50  | 13.57  |
| 27      | 17.90  | 13.00  | 14.07  |



|   |          |   |  |                             |          |
|---|----------|---|--|-----------------------------|----------|
| PART NO:  |          | MATERIAL:                                 |  |                             |          |
| LOT NO:   |          | FINISH:                                   |  |                             |          |
| UNIT: MM  | SIZE: A4 | COLOR:                                    |  | TITLE:                      |          |
| TOLERANCES:<br>X.X=±0.35<br>X.XX=±0.25<br>X.XXX=±0.15 |          | GENERAL ANGLE:<br>X.X=±3.0°<br>X.XX=±2.0° |  | 0.5间距 6Pin 翻盖 卧贴 下接 H2.0    |          |
| DR:   |          | CHK:                                      |  | DWG NO: ZX-0.5FPC-FWX-H2-6P | REV: C/O |
| APP:  |          | SCALE: 1:1                                |  | SHEET: 1 OF 1               |          |

## X-ON Electronics

Largest Supplier of Electrical and Electronic Components

*Click to view similar products for [FFC & FPC Connectors](#) category:*

*Click to view products by [Megastar](#) manufacturer:*

Other Similar products are found below :

[00-6200-227-022-800](#) [006205250500825+](#) [006205280500825+](#) [FPH-1602G](#) [086222026001800](#) [52610-0675](#) [62674-201121DLF](#) [52746-1671-TR250](#) [10051922-1610EHLF](#) [10051922-2810EHLF](#) [686322124422](#) [XF3M-2915-1B-R100](#) [AYF353125A](#) [AYF530665TA](#) [AYF534065TA](#) [20FLH-RSM1-TB](#) [PCA-7F-25-HL-3-G](#) [207356-1](#) [52807-0430](#) [FFC05011-10SBB114W5M](#) [502250-8027](#) [FH28K-40S-0.5SH](#) [200528-0260](#) [FH28K-10S-0.5SH](#) [501951-1250](#) [X05B20U43T](#) [0.5K-DX-30PWB](#) [DS1020-08-10VBT12](#) [THD0515-34CL-GF](#) [X05A10L28G](#) [ECC2841061EU](#) [20539-030E-01](#) [1.0K-DHQX-16PWB](#) [1.0K-DHQX-30PWB](#) [1775333-6](#) [10054365-202110ELF](#) [10054365-242110ELF](#) [10054365-282110ELF](#) [10064555-392220HLF](#) [59453-041110EBHLF](#) [59453-091110EDHLF](#) [62674-241141ALF](#) [62684-432100ALF](#) [62684-451100AHLF](#) [62684-5721N0ALF](#) [HFW11R-1STE1MTLF](#) [HFW12R-1STE9LF](#) [HFW14R-1STE9MTLF](#) [HFW18S-2STE9LF](#) [HFW20R-1STAE1HLF](#)