

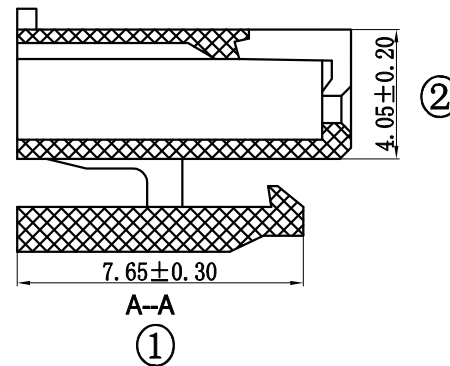
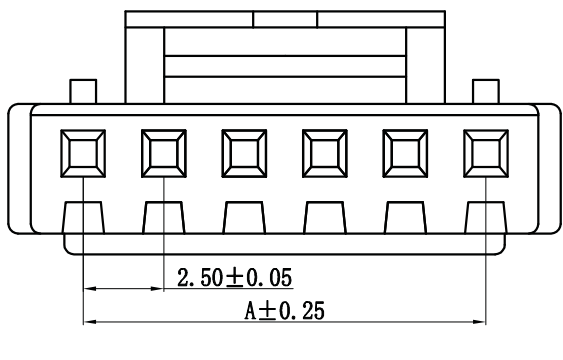
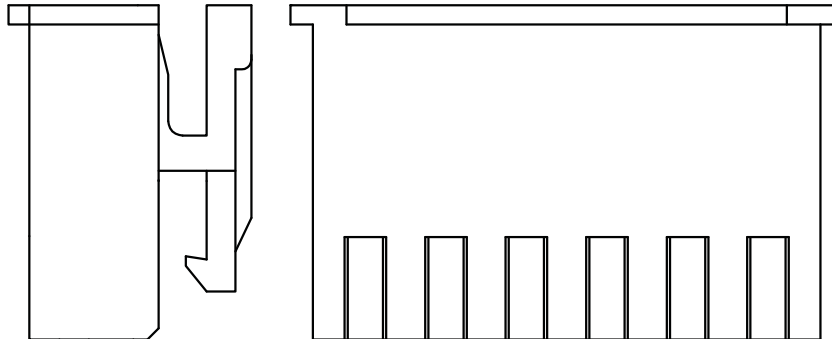
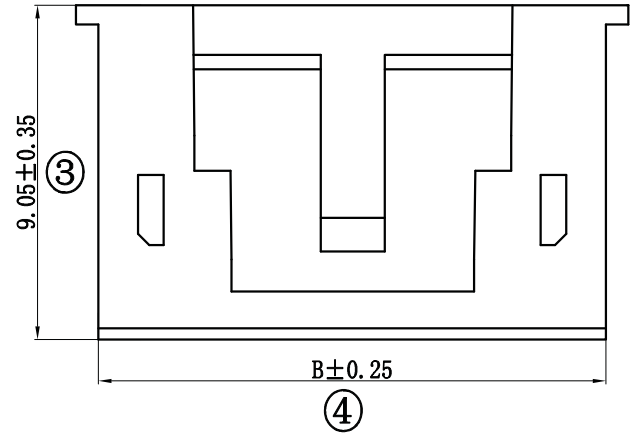
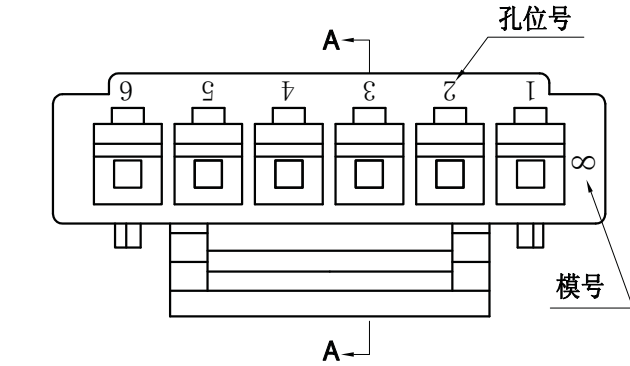
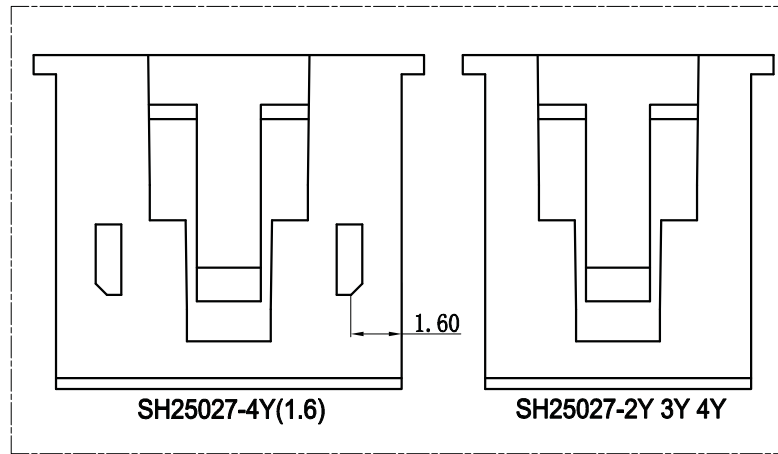
| 标记<br>MARK. | 更改内容<br>MODIFICATION | 日期<br>DATE | 修改<br>DRAW | 核准<br>APPROVE |
|-------------|----------------------|------------|------------|---------------|
|             |                      |            |            |               |
|             |                      |            |            |               |

技术要求Specification:

- 1、材质Material: PA66 UL94V-0;
- 2、额定电流 Current rating:3.0A AC,DC
- 3、额定电压 Voltage rating: 250V AC,DC
- 4、温度范围 Temperature range:-25℃to+85℃
- 5、接触电阻 Contact resistance:≤20mΩ
- 6、绝缘电阻 Insulation resistance:≥1000MΩ
- 7、耐压 Withstand voltage:1000V AC/minute
- 8、塑件表面平整光洁, 无明显的毛刺、气泡、变形、浇口拉伤、缺料等不良现象。

Plastic surface smooth and clean, no obvious glitches, bubbles, distortion, gate strain, lack of material and other undesirable phenomena.

| 线数<br>poles | 型号<br>Type  | 尺寸Dimensions mm |       |
|-------------|-------------|-----------------|-------|
|             |             | A               | B     |
| 2           | SH25027-2Y  | 2.50            | 5.80  |
| 3           | SH25027-3Y  | 5.00            | 8.30  |
| 4           | SH25027-4Y  | 7.50            | 10.80 |
| 5           | SH25027-5Y  | 10.00           | 13.30 |
| 6           | SH25027-6Y  | 12.50           | 15.80 |
| 7           | SH25027-7Y  | 15.00           | 18.30 |
| 8           | SH25027-8Y  | 17.50           | 20.80 |
| 9           | SH25027-9Y  | 20.00           | 23.30 |
| 10          | SH25027-10Y | 22.50           | 25.80 |
| 11          | SH25027-11Y | 25.00           | 28.30 |
| 12          | SH25027-12Y | 27.50           | 30.80 |
| 13          | SH25027-13Y | 30.00           | 33.30 |
| 14          | SH25027-14Y | 32.50           | 35.80 |
| 15          | SH25027-15Y | 35.00           | 38.30 |
| 16          | SH25027-16Y | 37.50           | 40.80 |
| 17          | SH25027-17Y | 40.00           | 43.30 |



| TOLERANCE UNLESS OTHERWISE SPECIFIED |                | *: Inspection Item                |                  |
|--------------------------------------|----------------|-----------------------------------|------------------|
| .X±0.30                              | X.°±1°         | (NO) :Cp/Cpk and SPC Control Item | 兆星精密电子 (深圳) 有限公司 |
| .XX±0.20                             | .X°±           |                                   |                  |
| .XXX±0.10                            | .XX°±          |                                   |                  |
| 制图<br>DRAWIN                         | 材料<br>MATERIAL | 名称<br>TITLE                       | HA2.54胶壳-nPin    |
| 审核<br>CHECKED                        | 料厚<br>THICK    | 编号<br>DWG NO.                     | ZX-HA2.54-nPJK   |
| 批准<br>APPROVE                        | 料宽<br>WIDE     | 比例<br>SCALE                       | 1:1              |
|                                      | 日期<br>DATE     | 角法<br>PROJ.                       |                  |
|                                      |                |                                   | 规格书              |

## X-ON Electronics

Largest Supplier of Electrical and Electronic Components

*Click to view similar products for [Headers & Wire Housings](#) category:*

*Click to view products by [Megastar](#) manufacturer:*

Other Similar products are found below :

[0015917161](#) [0022155065](#) [57102-F02-18ULF](#) [58102-G61-06LF](#) [582553-1](#) [01.001.5753.1](#) [0050291907](#) [02.125.8002.8](#) [609-3404](#) [61062-3](#)  
[CSU011177004](#) [622-0430](#) [622-3653LF](#) [63453-116](#) [636-1030](#) [636-1427](#) [636-3427](#) [636-4007](#) [641938-9](#) [65495-038](#) [65692-001LF](#) [65781-018](#)  
[65781-047](#) [65817-010LF](#) [65817-015LF](#) [67095-007LF](#) [67601157](#) [68631-112](#) [68645-018](#) [699319-000](#) [70.362.1628.0](#) [70-4210](#) [70-4226B](#) [70-](#)  
[4853B](#) [71.350.2428.0](#) [733-134](#) [733-162](#) [760-3052](#) [MHR-64-VUAL](#) [80.063.4001.1](#) [800-90-001-10-001000](#) [801-43-002-10-013000](#)  
[801-43-006-10-002000](#) [803-43-024-10-001000](#) [803-93-012-10-001000](#) [8-1437020-4](#) [819-22-004-30-001101](#) [820-22-006-30-001101](#)  
[820-22-008-30-001101](#) [821-22-002-10-001101](#)