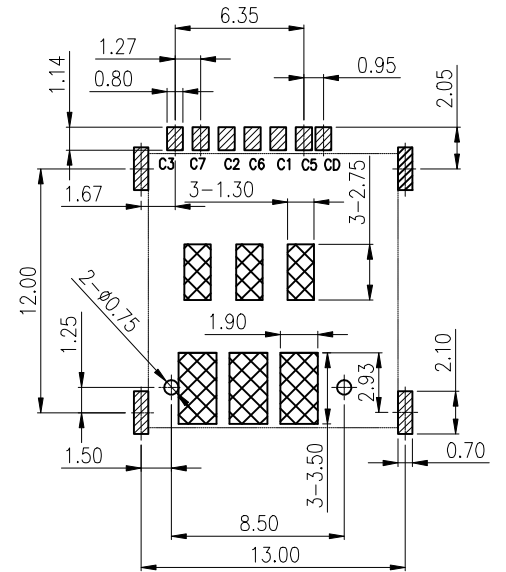
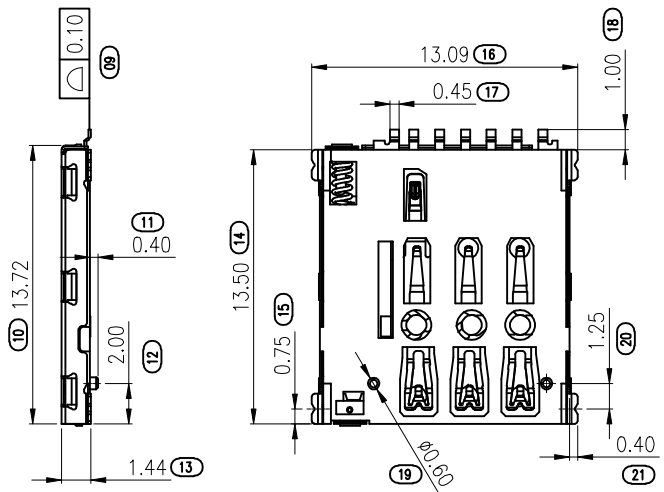
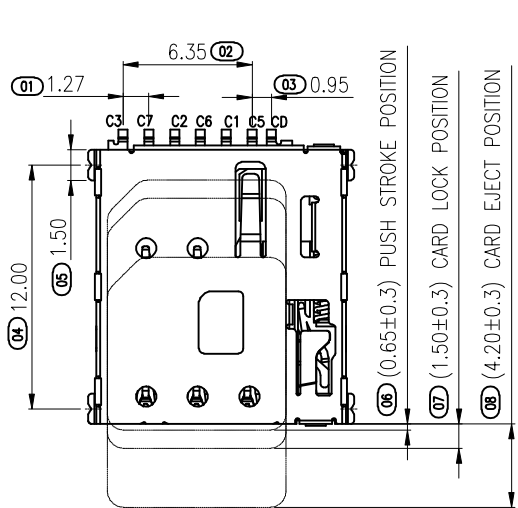
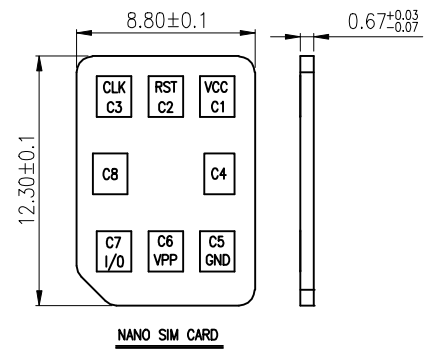
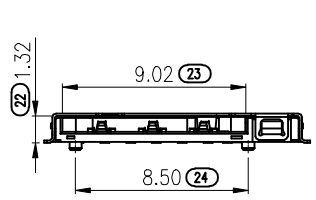
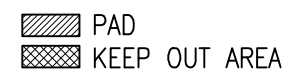


RoHS

REV.	EC#	DESCRIPTION	DATE	DRAWING	CHECKED	APPROVED
A0						

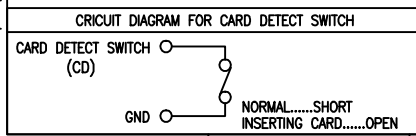


RECOMMENDED PCB LAYOUT
GENERAL TOLERANCE ±0.05



NANO SIM CARD

- NOTES:
- MATERIAL:
HOUSING:HI-TEMP. PLASIC UL 94V-0
CONTACT:COPPER ALLOY
SHELL:STAINLESS STEEL
 - PLATING :
TERMINAL:
CONTACT AREA: Au GOLD FLASH.
SOLDER AREA: AU GOLD FLASH.
UNDER PLATE: NICKEL.
SHELL: NICKEL PLATED OVER ALL.
SOLDER AREA: GOLD FLASH.
 - SPECIALITY:
3.1 Rated current:1.0A
3.2 Rated voltage:30V
3.3 Contact Resistance:50mΩ MAX
3.4 Insulation Resistance:1000MΩ MIN 500V DC
3.5 Dielectric withstanding voltage: 500V AC.
3.6 Solder ability:260±0/-5℃, 30±10s.
3.7 Durability:5000 Cycles Min.
3.8 Operating condition:Temperature-40℃~+85℃,
Humidity 80% R.H MAX

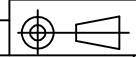


SIM pin Assignment		MILLIMETERS	INCH	UNITS
PIN#	Name	X. ^o ± Z ^o	X. ^o ± Z ^o	MM
C1	VCC	.X ± 0.30	.XX ± 0.012	MAT'L
C2	RST	.XX ± 0.20	.XXX ± 0.008	SEE NOTES
C3	CLK	.XXX± 0.10	.XXXX± 0.004	FINISH
C5	GND	SEE NOTES		
C6	VPP	QTY		
C7	I/O	SEE NOTES		

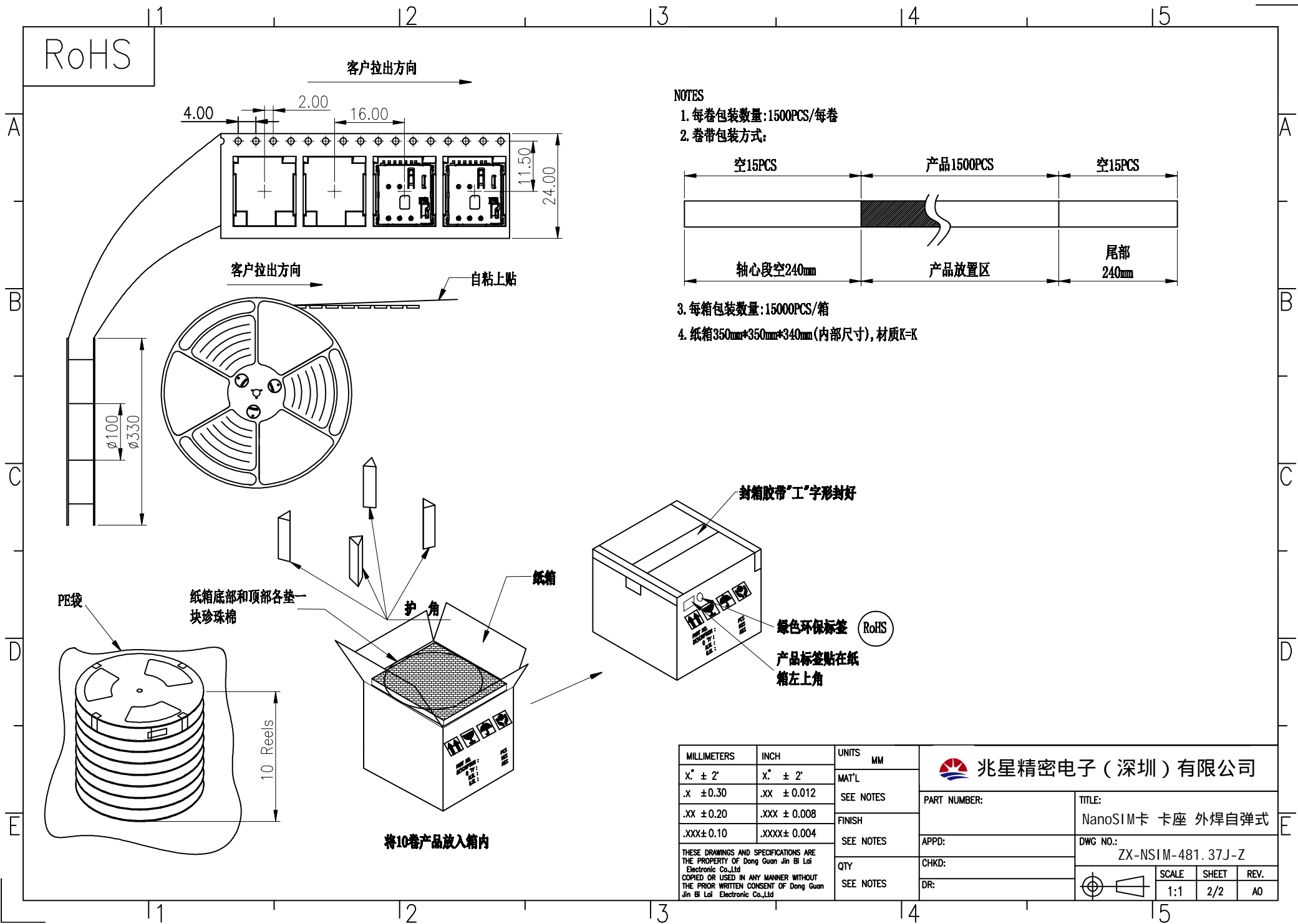
THESE DRAWINGS AND SPECIFICATIONS ARE THE PROPERTY OF Dong Guan Jin Bi Lai Electronic Co.,Ltd. COPIED OR USED IN ANY MANNER WITHOUT THE PRIOR WRITTEN CONSENT OF Dong Guan Jin Bi Lai Electronic Co.,Ltd.

兆星精密电子(深圳)有限公司

PART NUMBER:	TITLE:
APPD:	DWG NO.:
CHKD:	SCALE SHEET REV.
DR:	1:1 1/2 A0



RoHS



NOTES

1. 每卷包装数量:1500PCS/每卷
2. 卷带包装方式:
3. 每箱包装数量:15000PCS/箱
4. 纸箱350mm*350mm*340mm(内部尺寸), 材质K=K

将10卷产品放入箱内

MILLIMETERS	INCH	UNITS	兆星精密电子(深圳)有限公司			
X. ± 2'	X. ± 2'	MM	PART NUMBER:		TITLE:	
.X ± 0.30	.XX ± 0.012	MAT'L			NanoSIM卡 卡座 外焊自弹式	
.XX ± 0.20	.XXX ± 0.008	SEE NOTES	APPD:		DWG NO.:	
.XXX ± 0.10	.XXXX ± 0.004	FINISH			ZX-NSIM-481.37J-Z	
SEE NOTES			QTY	CHKD:	SCALE	SHEET
THESE DRAWINGS AND SPECIFICATIONS ARE THE PROPERTY OF Dong Guan Jin Bi Lai Electronic Co.,Ltd			SEE NOTES	DR:	1:1	2/2
COPIED OR USED IN ANY MANNER WITHOUT THE PRIOR WRITTEN CONSENT OF Dong Guan Jin Bi Lai Electronic Co.,Ltd					AO	

X-ON Electronics

Largest Supplier of Electrical and Electronic Components

Click to view similar products for [Memory Card Connectors](#) category:

Click to view products by [Megastar](#) manufacturer:

Other Similar products are found below :

[6407-249V-25273P](#) [6407-249V-25343P](#) [6426-201-21343](#) [69.920.0553.0](#) [MCR60A-98D-2.54DSA\(70\)](#) [809180410000000](#) [DM3AT-SF-PEJM5\(41\)](#) [IC11S-BUR-PNEJL\(71\)](#) [C70210M0083692](#) [2041353-2](#) [308-DS1P0811-192](#) [HM2P09PDR360N9LF](#) [10014744-011TLF](#) [11327-001](#) [11327-002](#) [NX1-32T-KT3K\(05\)](#) [95622-003LF](#) [84648-056HLF](#) [CCM03-3109 B LFT](#) [MS3116J10-6PW](#) [2309923-1](#) [61126-050CAHLF](#) [GTFP08432B1HR](#) [G85D1160022HHR](#) [SCE2MSDZN76A121SN](#) [10014744-011ALF](#) [10014744-011LF](#) [10057542-1211FLF](#) [10067972-000LF](#) [10067972-050LF](#) [10122302-20110LF](#) [G85D1162022HHR](#) [TF-05A](#) [M6014-12](#) [XKNANO-1412](#) [SMN-304-ARP6](#) [MIS11-S1F1-2000-A](#) [SMN-308-ARSP7](#) [MCS-302S-KT1B](#) [SMN-308-ACSP7](#) [K-DYX-008](#) [K-DYX-004](#) [HYCW126-TF18-150B](#) [C7024-03](#) [SMO-1030](#) [MCS-110-KT](#) [SIM-217](#) [SNO-1355-KT](#) [SMO-1025-P10](#) [SIM-211S-P6](#)