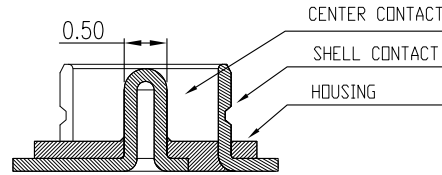
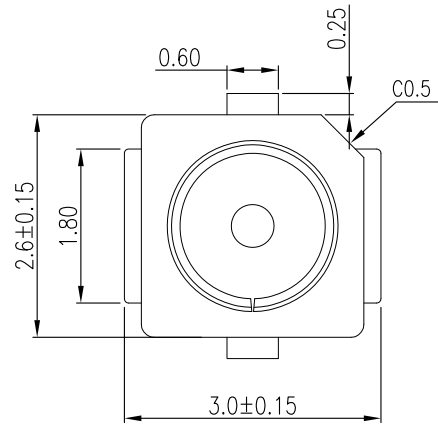


REV	ECR#	DESCRIPTION	DRAWN/DATE	CHECKED/DATE	APPROVED/DATE
A0	~	ADD NEW SPECIFICATIONS			
A1		ADD COLOR OF HOUSING			

A
B
C
D
E
F

A
B
C
D
E
F



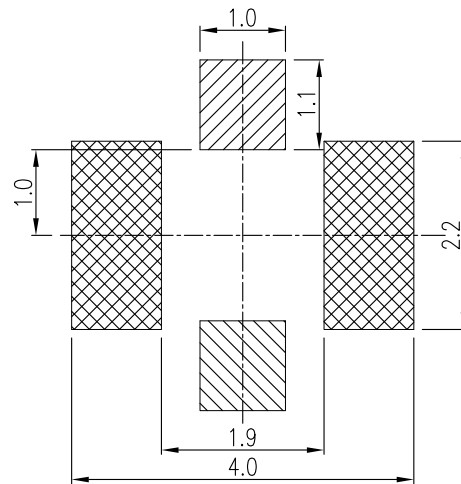
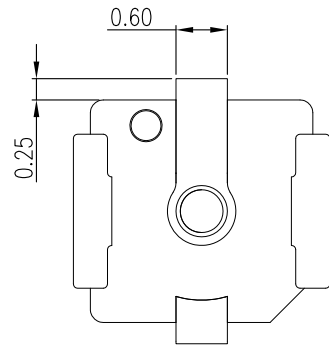
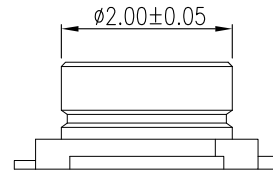
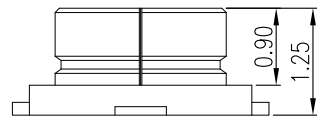
NOTES :

1.0. RATING :

- 1.1. VOITAGE :60 VAC (R.M.S.)
- 1.2. NOMINAL CHARACTERISTIC IMPEDANCE: 50 Ohm
- 1.3. APPLICABLE FREQUENCY: DC ~ 6GHz
- 1.4. VSWR: 1.3 MAX. (DC~3GHz), 1.5 MAX. (3~6GHz)
- 1.5. TEMPERATURE : -40°C TO +85°C
- 1.6. APPLIED TO IR SOLDERING PROCESS

2.0. MATERIAL SEE BILL OF MATERIAL :

- 2.1.HOUSING: THERMOPLASTIC,UL94V-0,
- 2.2.CENTER CONTACT : COPPER ALLOY.
- 2.3.SHELL CONTACT: COPPER ALLOY.



RECOMMENDED PCB LAYOUT
(TOLERANCE:±0.05)

CENTER CONTACT
 GROUND CONTACT

CONTROL POINT FAI : to CRITICAL (Cpk & Cp) : EX) = Places MAJOR (QC CHECKED) : ▼ = Places TOOL DESIGN DIMENSION : [T DIM] = Places EVALUATE REPORTES NUMBER	TOLERANCES UNLESS OTHERWISE SPECIFIED GENERAL : X ±0.30 XX ±0.25 XXX ±0.15 ANGLES : X ±3.0° XX ±2.0° XXX ±1.0°	DRAWING	DATE	兆星精密电子(深圳)有限公司 TITLE IPEX 内针 二代板端 IPEX2座子 SERIES ZX-RF-2-Z21.25X DRAWING NO
		DESIGN	DATE	
CHECK	DATE	TITLE		
APPROVED	DATE	SHEET 1/1		
3D FILE	UNIT mm	SCALE 1:1		
		MAJOR (QC CHECKED) : [T DIM] = Places		

PRODUCT SPEC:
PACKAGE SPEC:

SIZE A3
REV A1

X-ON Electronics

Largest Supplier of Electrical and Electronic Components

Click to view similar products for [RF Connectors / Coaxial Connectors](#) category:

Click to view products by [Megastar](#) manufacturer:

Other Similar products are found below :

[89674-0827](#) [6059674-1](#) [630059-000](#) [6501-1071-002](#) [6769](#) [7002-1541-010](#) [7002-1572-002](#) [7004-1512-000](#) [7009-1511-004](#) [7101-1541-010](#)
[7101-1571-002](#) [7105-1521-002](#) [7145-1521-002](#) [7203-1571-003](#) [7209-1511-011](#) [7210-1511-040](#) [7242-1511-000](#) [7405-1521-005](#) [7405-1521-](#)
[802](#) [804S01D04M040](#) [8527](#) [8547](#) [FS11V](#) [877931](#) [8808-1511-001](#) [9049-9513-000](#) [9074-9513-000](#) [PL11C-026](#) [PL40-36](#) [9408-1113-000](#)
[980-8666-005](#) [11 SMA-50-2-6 / 111 NE](#) [11 SMA-50-3-6 / 111 NE](#) [11 SMA-50-2-6/111 NH](#) [1-201144-1](#) [120919](#) [R107003010W](#) [R112186000](#)
[R113053000W](#) [R113082097](#) [R113236000](#) [R114083000](#) [R114670000W](#) [R123415000W](#) [R124072220W](#) [R124076320](#) [R124076450](#)
[R124175123](#) [R124176123W](#) [R125075000W](#)