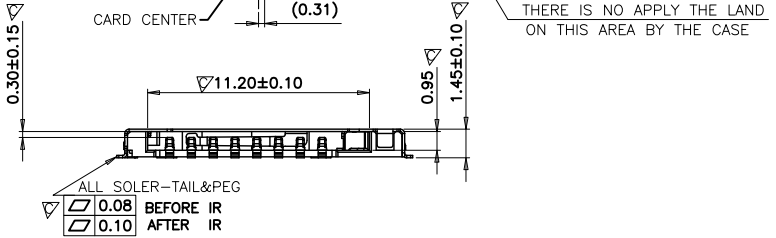
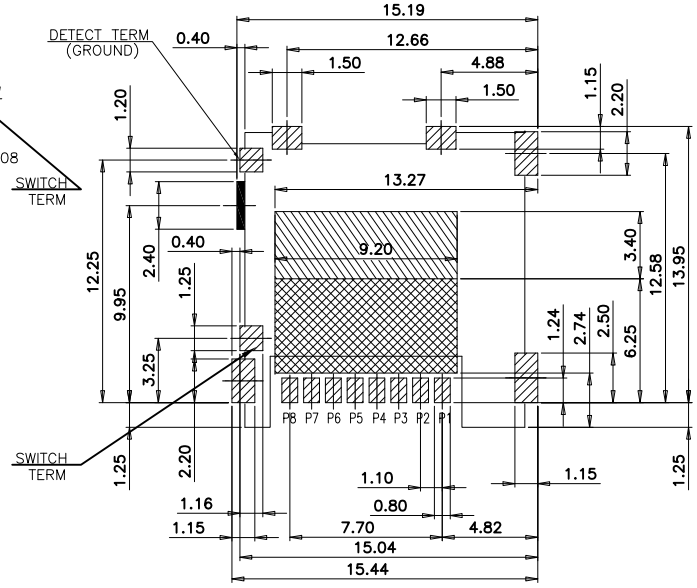


■ PROHIBITED AREA
 ▨ PATTERN PROHIBITED AREA
 ▩ SOLDERPROHIBITED AREA



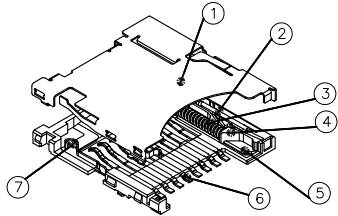
Connector Pin Assignment

TERM 1	DATA 2
TERM 2	CD/DATA 3
TERM 3	CMD
TERM 4	VDD
TERM 5	CLK
TERM 6	VSS
TERM 7	DATA 0
TERM 8	DATA 1

RECOMMENDED PCB LAYOUT TOP VIEW (TOLERANCE:±0.05)
RECOMMENDED MATAL MASK T=0.12MM
NO PATTERN AREA (TOLERANCE: ±0.05)

ITEM	DESCRIPTION	MATERIAL	FINSH	Q'TY
⑥	HOOK	SUS304	NO PLATING	1
⑤	SPRING	SUS	NO PLATING	1
④	SLIDE	LCP	GLASS FILLED(OR EQUAL), UL 94V-0, BLACK	1
③	SHELL	SUS301-H T=0.10	GOLD FLASH PLATED ON SOLDER TAIL AREA. NICKEL 30~100u" UNDER PLATED OVER ALL	1
②	TERMINAL	COPPER ALLOY	GOLD PLATED ON CONTACT AREA"A" SEE "PLATED CODE NOTE" GOLD FLASH PLATED ON CONTACT AREA"B" AND SOLDER TAIL AREA NICKEL 50~150u" UNDER PLATED OVER ALL	1
①	HOUSING	LCP	GLASS FILLED(OR EQUAL), UL 94V-0, BLACK	1

- *NOTES:
- COPLANARTY SPEC. FOR ALL SOLDER TAILS AND SOLDER PADS IS 0.1mm MAX.
 - ELECTRICAL CHARACTERISTICS:
 - CURRENT RATING: 0.5 Amp. MAX.
 - VOLTAGE: 100V DC. MAX.
 - LOW LEVEL CONTACT RESISTANCE: 100 mOhms MAX. INITIALLY.
 - DIELECTRIC WITHSTANDING VOLTAGE: 500V AC MIN. FOR 1 MINUTE.
 - INSULATION RESISTANCE: (INITIAL) 1000MOhms MIN.. (FINAL) 100MOhms MIN. BY APPLYING 500V DC ON MATED AND UNMATED CONNECTORS THROUGH MIL-STD-202, METHOD 302.
 - MECHANICAL CHARACTERISTICS:
 - DURABILITY: 5000 CYCLES.
 - OPERATING TEMP. RANGE: -25°C TO 85°C. [INCLUDING TERMINAL TEMP. RISE]
 - STORAGE TEMP.: -40°C TO 85°C.
 - DIMENSIONS MARKED ▽ AREA MAJOR CHECKED DIMENSIONS.
 - HARMFUL MATERIAL CONTROL PLEASE FOLLOW DOC. NO. "EPI12".
 - QUANTITY OF PRODUCTS: 1500PCS/REEL

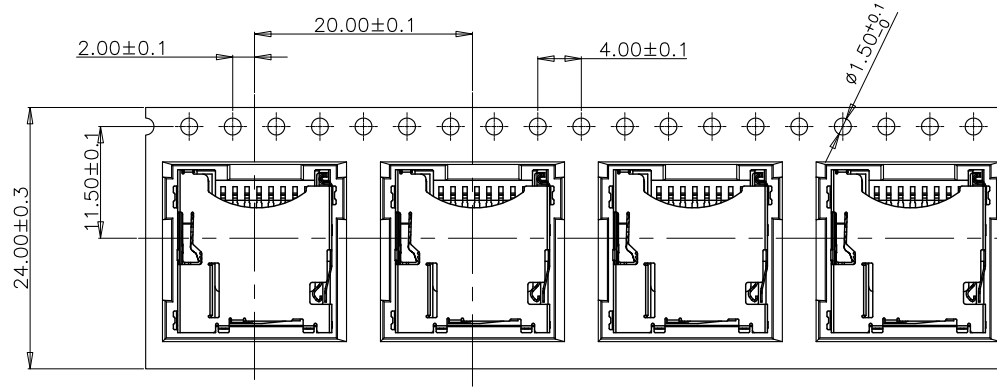


UNLESS OTHERWISE SPECIFIED TOLERANCES

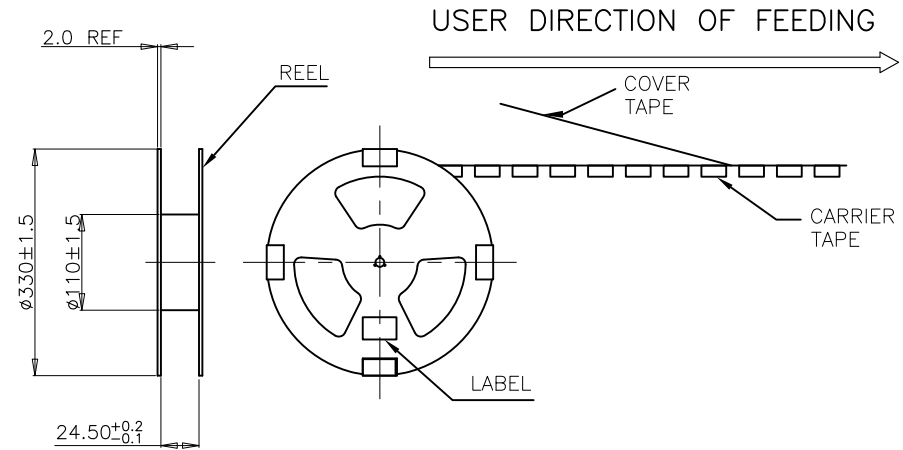
DECIMALS:	ANGLES:	TITLE	1.45mm Push Micro SD CARD CONN.(OPEN)		
X :±0.5	X :±2°	DWN	ALLEN	PART NO.	TOPP-150108-06G
X.X :±0.20	X.X :±1°	CHKD	KEVIN	SCALE:1:1	UNIT: mm
X.XX :±0.10		APVD	ERIC.W	SIZE: A3	SHEET:10F 1
CUSTOMER COPY					

REV.	ECN NO OR DESCRIPTION	REVISED	DATE
▽	PROPOSE ONLY	Lin R	23/05/21

← PRODUCT PACKAGING DIRECTION
 CUSTOMER TO USE DIRECTION →



产品料号	一盘产品数量	卷盘数量(N)	一箱产品数量
CONN. PART NO.	CONN. QTY./REEL	REEL QTY./CARTON	CONN. QTY./CARTON
ZX-TF-481.4J	1500	8	12000 PCS



- 1.材料(Material): PET,THICKNESS:0.35±0.05mm,COLOUR:TRANSPARENT
- 2.产品/卷盘/数量表(PRODUCT/REEL/QTY TABLE)
- 3.包装ESD要求: 10⁴~10⁹ Ω(包括载带, 盖带, 卷盘)

UNLESS OTHERWISE SPECIFIED TOLERANCES

DECIMALS:	ANGLES:
X :±0.5	X :±2°
X.X :±0.20	X.X :±1°
X.XX :±0.10	



兆星精密电子 (深圳) 有限公司

TITLE	Mi croSD卡(TF卡) 卡座 外焊		
DWN	Lin R	PART NO.	ZX-TF-481.4J
CHKD	Lin R	SCALE:1:1	UNIT: mm
APVD	Lin R	SIZE: A3	SHEET:10F 1
			REV: A2

CUSTOMER COPY

X-ON Electronics

Largest Supplier of Electrical and Electronic Components

Click to view similar products for [Memory Card Connectors](#) category:

Click to view products by [Megastar](#) manufacturer:

Other Similar products are found below :

[6407-249V-25273P](#) [6407-249V-25343P](#) [6426-201-21343](#) [69.920.0553.0](#) [MCR60A-98D-2.54DSA\(70\)](#) [809180410000000](#) [DM3AT-SF-PEJM5\(41\)](#) [IC11S-BUR-PNEJL\(71\)](#) [C70210M0083692](#) [2041353-2](#) [308-DS1P0811-192](#) [HM2P09PDR360N9LF](#) [10014744-011TLF](#) [11327-001](#) [11327-002](#) [NX1-32T-KT3K\(05\)](#) [95622-003LF](#) [84648-056HLF](#) [CCM03-3109 B LFT](#) [MS3116J10-6PW](#) [2309923-1](#) [61126-050CAHLF](#) [GTFP08432B1HR](#) [G85D1160022HHR](#) [SCE2MSDZN76A121SN](#) [10014744-011ALF](#) [10014744-011LF](#) [10057542-1211FLF](#) [10067972-000LF](#) [10067972-050LF](#) [10122302-20110LF](#) [G85D1162022HHR](#) [TF-05A](#) [M6014-12](#) [XKNANO-1412](#) [SMN-304-ARP6](#) [MIS11-S1F1-2000-A](#) [SMN-308-ARSP7](#) [MCS-302S-KT1B](#) [SMN-308-ACSP7](#) [K-DYX-008](#) [K-DYX-004](#) [HYCW126-TF18-150B](#) [C7024-03](#) [SMO-1030](#) [MCS-110-KT](#) [SIM-217](#) [SNO-1355-KT](#) [SMO-1025-P10](#) [SIM-211S-P6](#)