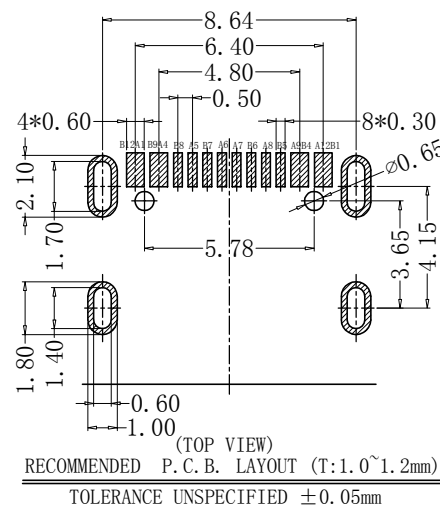
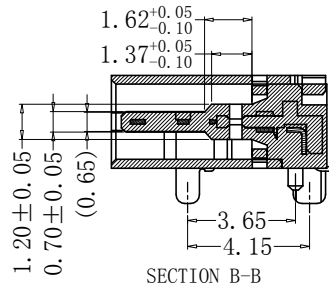
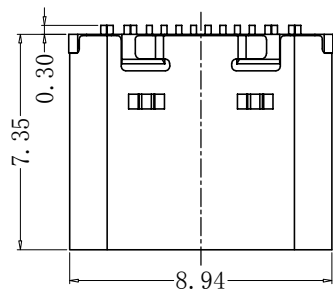
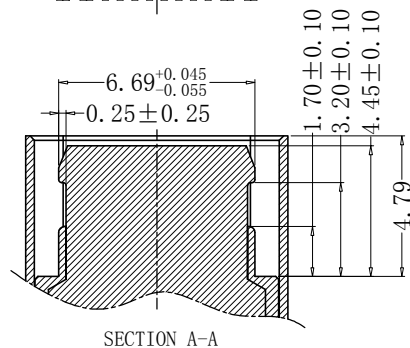
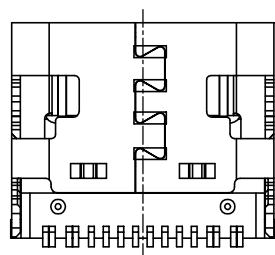
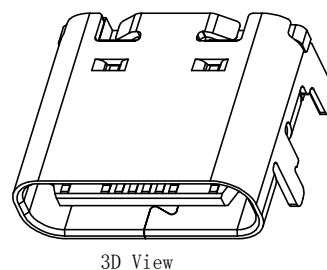
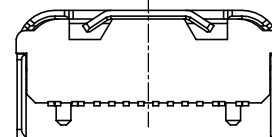
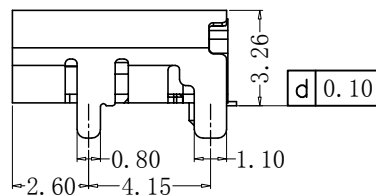
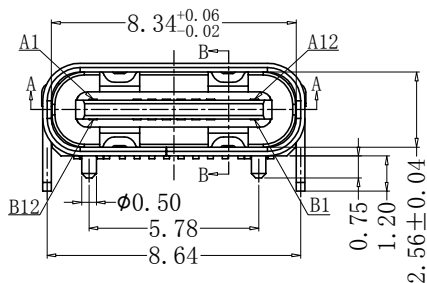


RoHs

VER	MARK	PR. BY	ECR/ECN DESCRIPTION	DATE
A		XCC	NEW RELEASE	23/05/21
B		Lin L	新增料号 \triangle *1	23/05/21
C		Lin R	新增规格 \triangle *2	23/05/21



PIN	SIGNAL	PIN	SIGNAL
A12	GND	B1	GND
A11		B2	
A10		B3	
A9	VBUS	B4	VBUS
A8	SBU1	B5	CC2
A7	D-	B6	D+
A6	D+	B7	D-
A5	CC1	B8	SBU2
A4	VBUS	B9	VBUS
A3		B10	
A2		B11	
A1	GND	B12	GND

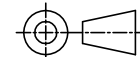


NO.	COLOR	镀金1u"	镀金3u"
1.	BLACK	1016-FGB385	1016-FGB386
2.	ORANGE	1016-FGC031	
3.	JASPER	1016-FGG033	
4.	BLACK	1016-FGB452	

SPECIFICATION:

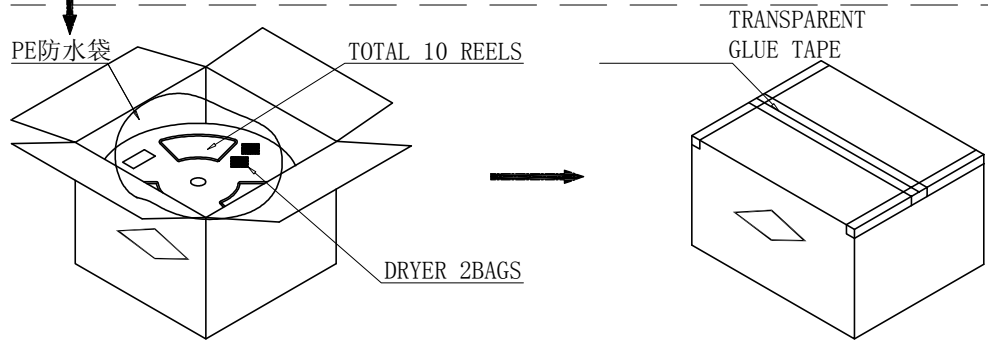
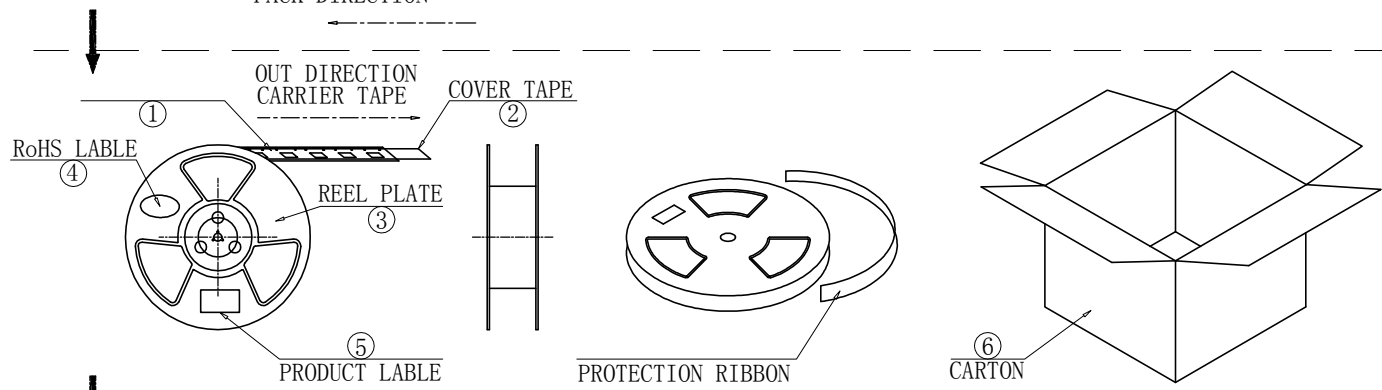
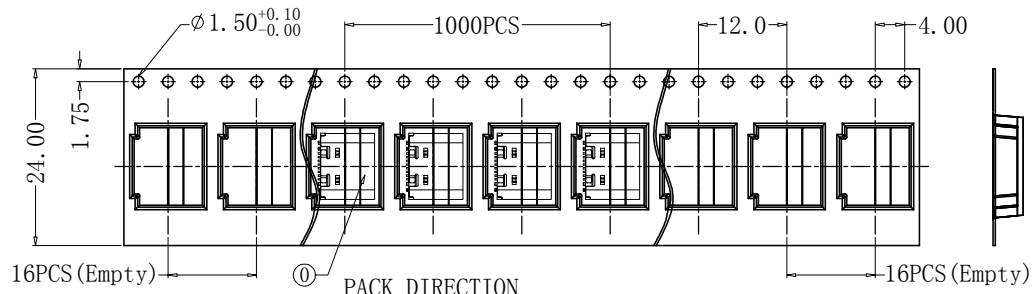
- Material:
 - HOUSING&MOLDING:LCP,UL94 V-0
 - CONTACTS:COPPER ALLOY T=0.20mm
 - MIDDLE CLIP:SUS301-1/2H,T=0.15mm
 - SHELL:SUS, T=0.30mm
- Mechanical:
 - 2.1.Mating force:5~20Nf Max.;
 - 2.2.Unmating force:6~20Nf Min.;
 - 2.3.Durability:10000 Cycles;
- Electrical:
 - 3.1.Current Rating:3A Max.;
 - 3.2.Voltage Rating:20V Max.;
 - 3.3.Dielectric Withstanding voltage:100VAc;
 - 3.4.Contact resistance:40m Ohms Max.;
 - 3.5.Insulation Resistance:100M Ohms Min.;
- Environmental:
 - 4.1.Operating temperature:-40°C~+85°C;
 - 4.2.Wetting Temperature:265±5°C,5±0.5s

CUSTOMER		GENERAL TOLERANCES UNLESS SPECIFIED		APPROVED BY:	TITLE: Type-C 母座 卧贴	 兆星精密电子(深圳)有限公司
SIZE A4	UNITS MM[INCH]	X±0.50 .X±0.35	X'±5.0' .X'±3.0'	CHECKED BY: Lin R	PART NO.: ZX-TYPEC-WTM1648	
SCALE 1:1	REV. C	.XX±0.25 .XXX±0.15	.XX'±2.5' .XXX'±2.0'	DESIGN BY: XCC	DWG NO.:	SHEET 1/2



RoHs

VER	MARK	PR. BY	ECR/ECN DESCRIPTION	DATE
A		XCC	NEW RELEASE	23/05/21
B	△B	GONG	整理&合并图面	23/05/21
C	△C	Lin L	新增料号 △C *2	23/05/21
E	△E	Lin R	新增规格 △E *1	23/05/21



说明:

1. 每卷前后各空16PCS, 尾部用美纹胶纸封住;
2. 将产品放满盘后, 再卷一圈保护带, 用美纹胶纸将其封住, 并贴上1Pcs物料标签;
3. 每10卷盘一叠共10000Pcs并装入1个外箱内;
4. 在搬运过程中要轻拿轻放;
5. 在运输中不可堆放过多(1.8M最高), 不可重压;
6. 跌落测试条件:
成品箱从1.2米高度自由落体(一角三棱六面):
a. 产品不可跑出下带凹槽;
b. 产品不可有摔伤, 变形;
c. 内包装材料不可严重破损.

NO.	NAME	SPEC	Q' TY
①	TYPE C RECEPTACLE		10000PCS/CARTON
②	CARRIER TAPE	W=24mm, T=0.35mm	1000PCS/PLATE
③	COVER TAPE	W=21.5mm	10PLATES/CARTON
④	REEL PLATE	∅330*100*24.4mm	10PCS/CARTON
⑤	RoHS LABEL		10PCS/CARTON
⑥	PRODUCT LABER		10PCS/CARTON
⑦	CARTON	350*340*310mm	1PCS/PACKAGE

PACKAGING		GENERAL TOLERANCES UNLESS SPECIFIED		APPROVED BY:	TITLE:
SIZE	UNITS	X±1.0	X*±5.0*	CHECKED BY:	Type-C 母座 卧贴
A4	MM[INCH]	.X±0.50	.X*±3.5*		
SCALE	REV.	.XX±0.30	.XX*±2.5*	DESIGN BY:	PART NO.: ZX-TYPEC-WTM1648
1:1	E	.XXX±0.15	.XXX*±1.5*		
					SHEET
					2/2

兆星精密电子(深圳)有限公司

X-ON Electronics

Largest Supplier of Electrical and Electronic Components

Click to view similar products for [USB Connectors](#) category:

Click to view products by [Megastar](#) manufacturer:

Other Similar products are found below :

[950](#) [MUSBD11135](#) [17-200721](#) [217450-1](#) [KMBVX-TH-5S-B30](#) [KUSBX-AS2N-W](#) [KUSBX-SMT2AP1S-W30](#) [935](#) [957](#) [30-498-6](#) [SK-60A-2](#)
[1734082-1](#) [30-470](#) [30-489](#) [30-541](#) [A-USB A-2P-C](#) [MIKROE-1451](#) [USBFTVSCCG](#) [1-1734084-2](#) [10135326-001LF](#) [4198](#) [USB-A-D-VT](#)
[USB-A-S-RA-TSMT](#) [1310-1023-02](#) [690-024-633-031](#) [UB-20PMFP-LC7001](#) [17-200011](#) [UB-20AFMM-LL7A01](#) [1040870124](#) [CAP-](#)
[WCCMLPB1](#) [CAP-WCCMLPC1](#) [2274475-3](#) [UB-20BMFA-SL8001](#) [914-614A2025S10200](#) [USB3FTV7SAGF059](#) [ZX40-B-5S-1500-](#)
[STDA\(30\)](#) [GSB3116344HR](#) [USB3FTV2SAZNF459](#) [USB3FTV7SAZNF459](#) [U221-041N-1WVS62-F5D](#) [HYCW153-USBD05-500B](#)
[HYCW219-USBD05-075B](#) [HYCW148-USBD05-117B](#) [HYCW149-USBD05-740B](#) [HYCW204-USBD05-108B](#) [HYCW214-USBA04-113B](#)
[HYCW213-USBA04-113B](#) [UB-20AMFM-SL7A01](#) [KMMX-BSMT35S-1-B30TR](#) [2345986-1](#)