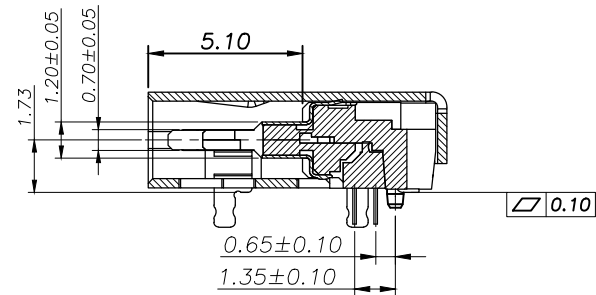
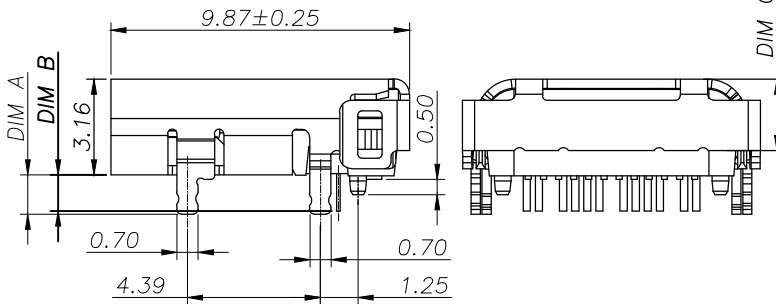
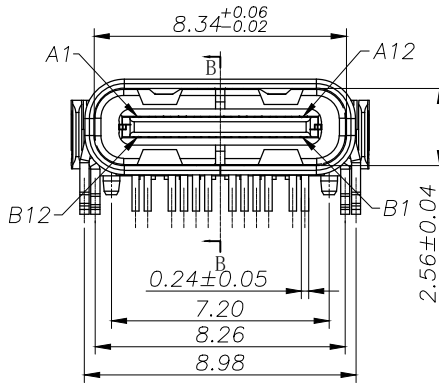
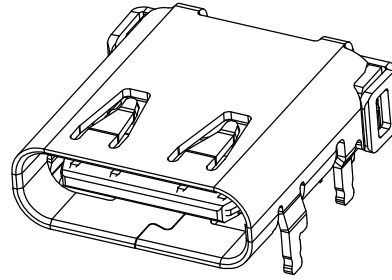
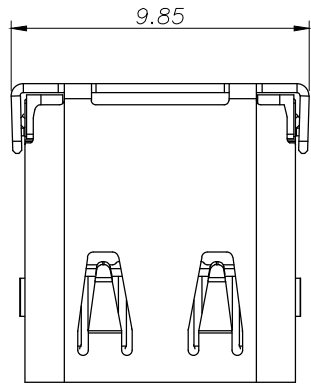
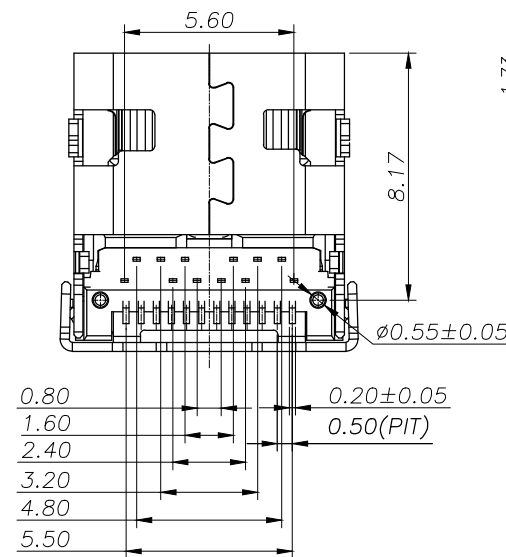


REV.	ECN NO.	DESCRIPTION	DATE	DESIGN
A	ECN NO.	INITIAL RELEASED	23/05/21	Lin R



SECTION B-B
SCALE 1:1



NOTE:

1.MATERIAL SPECIFICATION:

- 1.HOUSING:HIGH TEMPERATURE RESISTANT PLASTIC,UL94 V-0.
- 2.CONTACTS:COPPER ALLOY
- 3.MID PLATE: STAINLESS STEEL
- 4.FRONT SHELL: STAINLESS STEEL
- 5.EMI PLATE: STAINLESS STEEL

2.PLATING SPECIFICATION:

2-1.CONTACTS:

- Ni 50u" MIN. UNDER PLATED OVER ALL.
- Au PLATED ON THE FUNCTIONAL AREA OF CONTACT.
- (GOLD PLATING THICKNESS FOLLOW THE P/N)
- PLATING SPECIFICATIONS OF THE SOLDER AREA FOLLOW THE P/N

2-2.FRONT SHELL:

- PLATING SPECIFICATIONS FOLLOW THE P/N

2-3.MID PLATE&EMI PLATE:

- CLEAR ONLY

3.MECHANICAL PERFORMANCE,

- 3-1.INSERTION FORCE: 0.5~2.0kgf.
- 3-2.REMOVAL FORCE: 0.8kgf~2.0kgf.
- 3-3.DURABILITY: 10000 CYCLES.

4.ELECTRICAL PERFORMANCE,

- 4-1. CURRENT RATING:5.0A
VOLTAGE RATING:5.0V
- 4-2. LLCR:
VBUS & GND PINS AND OTHER PINS: 40mΩ/PIN MAX.
SHIELD: 50mΩ/MAX.
LLCR MAX. CHANGE OF ALL PINS: 10mΩ.
- 4-3.INSULATION RESISTANCE: 100MΩ MIN
- 4-4.DIELECTRIC WITHSTAND VOLTAGE,AC 100V FOR 1 MINUTE.

5. ENVIRONMENTAL PERFORMANCE:

- OPERATING TEMPERATURE: -25°C~+85°C.

6.IR REFLOW:

- THE PEAK TEMPERATURE ON THE BOARD SHALL BE MAINTAINED FOR 10 SECONDS AT 260°C.

TOLERANCE		NAME(INTENDED USE) CUSTOMER DRAWING	兆星精密电子(深圳)有限公司		
X.X ±0.30	X.* ±10°	PART NO. ZX-TYPEC-WTM2448-QC	TITLE: Type-C母座卧贴		
.XX ±0.20	.X* ± 8°	DESIGN: Lin R	DRAWG NO. ZX-TYPEC-WTM2448-QC		
.XXX ±0.10	.XX* ± 5°	UNITS: mm			
MATERILA	CHED:				
FINISH	APPD:				
		SCALE: 1:1		SHEET: 1/3	REV.: A

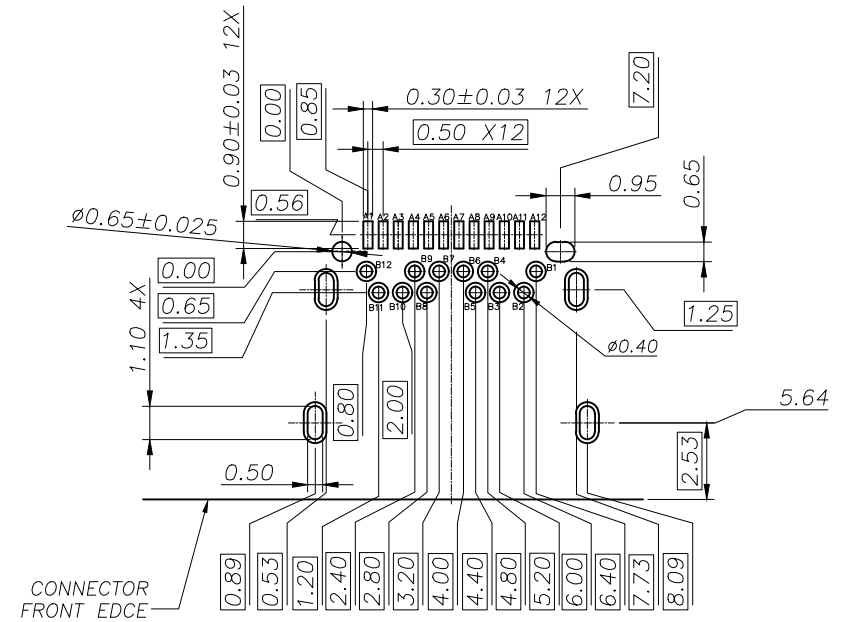
REV.	ECN NO.	DESCRIPTION	DATE	DESIGN
A	ECN NO.	INITIAL RELEASED	23/05/21	Lin R

TABLE 1

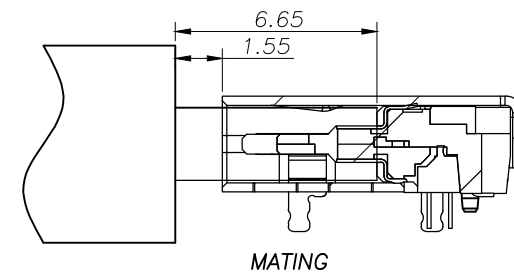
ITEM	P/N	DIM"A"	DIM"B"	DIM"C"	HOUSING CLOER	PLATING	
						MATING AREA	SOLDER AREA
1	ACF005-1E1H1A103-0HR	1.30	1.20	1.96	BALCK	Au:3u"	Au:G/F

USB TYPE-C PIN ASSIGNMENTS

PIN NUMBER	SIGNAL NAME	PIN NUMBER	SIGNAL NAME
A1	GND	B12	GND
A2	TXp1+	B11	RXp1+
A3	TXn1-	B10	RXn1-
A4	Vbus	B9	Vbus
A5	CC1	B8	SBU2
A6	Dp1	B7	Dn2
A7	Dn1	B6	Dp2
A8	SBU1	B5	CC2
A9	Vbus	B4	Vbus
A10	RXn2-	B3	TXn2-
A11	RXp2+	B2	TXp2+
A12	GND	B1	GND

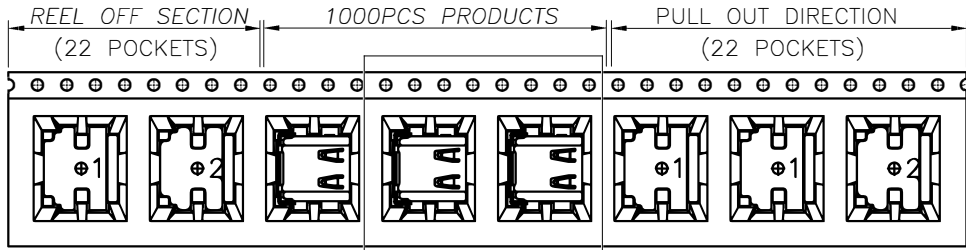


RECOMMENDED P.C.B. LAYOUT (T=1.00mm)
TOLERANCE UNSPECIFIED ±0.05mm

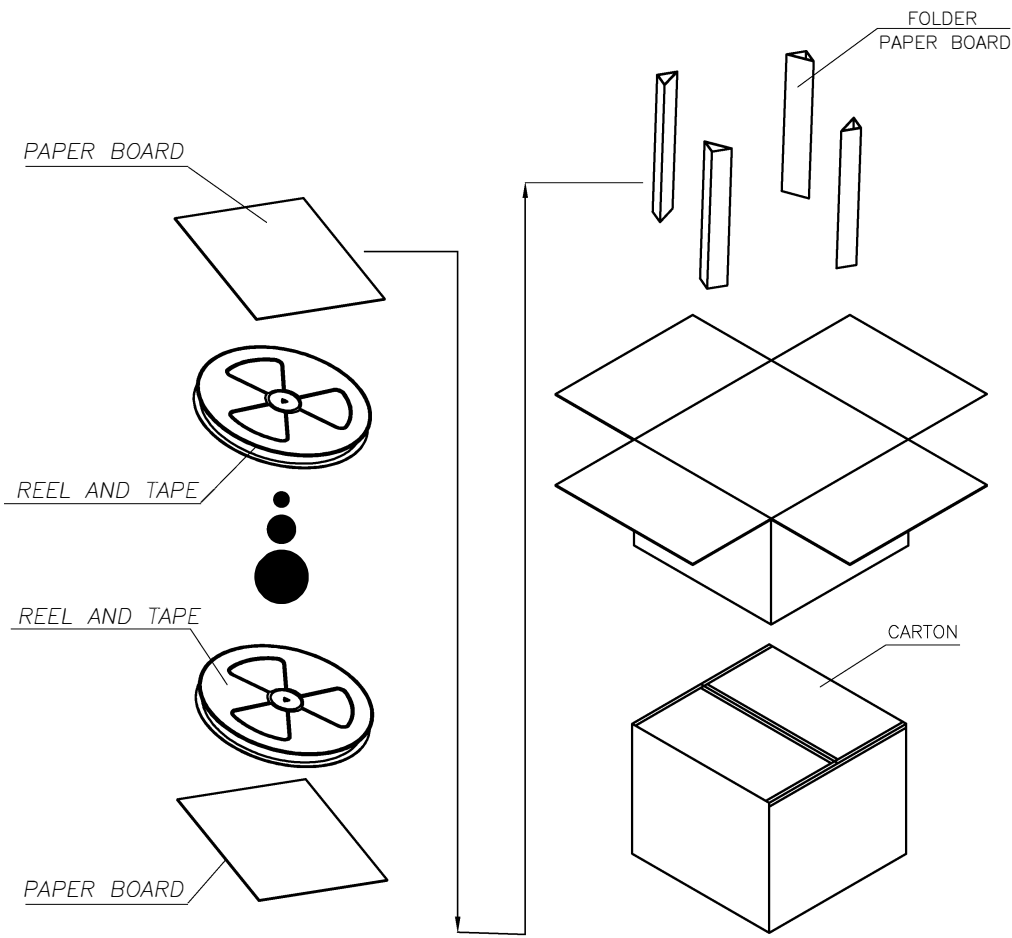
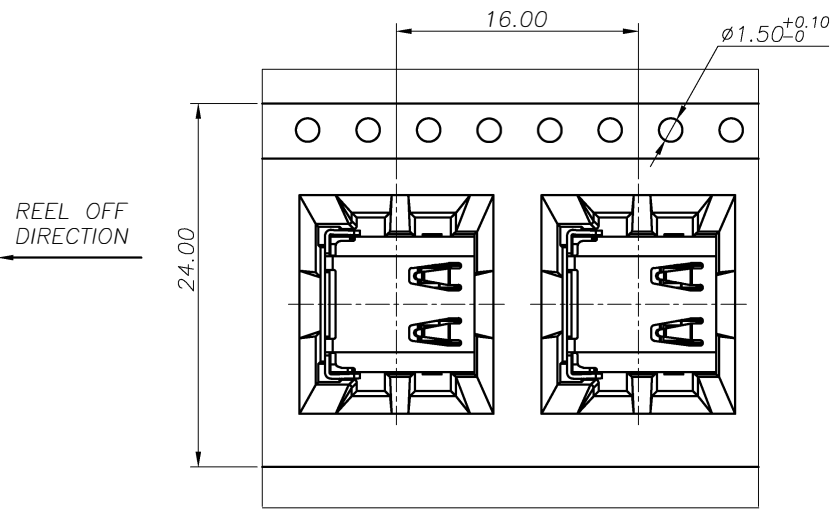
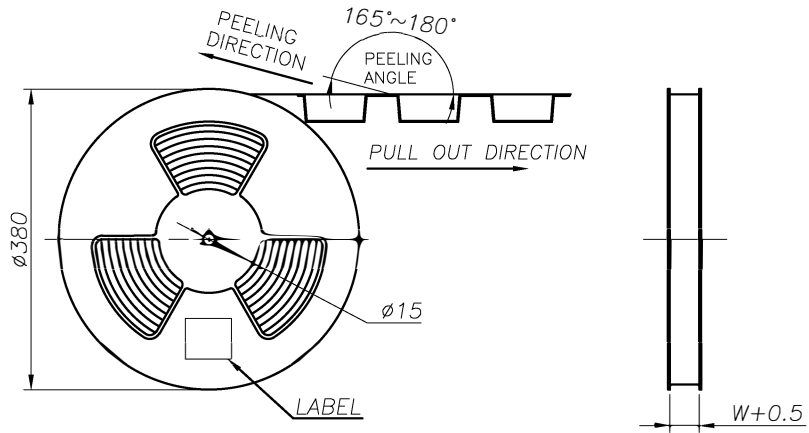


TOLERANCE		NAME(INTENDED USE) CUSTOMER DRAWING			
X.X ±0.30	X.* ±10°	PART NO.	TITLE:		
.XX ±0.20	.X* ± 8°	ZX-TYPEC-WTM2448-QC	Type-C 母座 卧贴		
.XXX ±0.10	.XX* ± 5°	DESIGN: Lin R	DRAWG NO.		
UNITS	mm	CHED:	SCALE SHEET REV.		
MATERILA		APPD:	1:1	2/3	A
FINISH					

REV.	ECN NO.	DESCRIPTION	DATE	DESIGN
A	ECN NO.	INITIAL RELEASED	23/05/21	Lin R



SEE DETAIL X



	REEL/TRAY	CARTON
CONNECTOR (PCS)	1000	10000

TOLERANCE		NAME(INTENDED USE) CUSTOMER DRAWING							
X.X	± 0.30	X.*	$\pm 10^{\circ}$				PART NO. ZX-TYPEC-WTM2448-QC		
.XX	± 0.20	.X*	$\pm 8^{\circ}$	DESIGN: Lin R		TITLE: Type-C 母座 卧贴			
.XXX	± 0.10	.XX*	$\pm 5^{\circ}$	MATERILA		DRAWG NO.			
UNITS		mm		CHED:			SCALE	SHEET	REV.
FINISH		APPD:		APPD:			1:1	3/3	A

X-ON Electronics

Largest Supplier of Electrical and Electronic Components

Click to view similar products for [USB Connectors](#) category:

Click to view products by [Megastar](#) manufacturer:

Other Similar products are found below :

[950](#) [MUSBD11135](#) [17-200721](#) [217450-1](#) [KMBVX-TH-5S-B30](#) [KUSBX-AS2N-W](#) [KUSBX-SMT2AP1S-W30](#) [935](#) [957](#) [30-498-6](#) [SK-60A-2](#)
[1734082-1](#) [30-470](#) [30-489](#) [30-541](#) [A-USB A-2P-C](#) [MIKROE-1451](#) [USBFTVSCCG](#) [1-1734084-2](#) [10135326-001LF](#) [4198](#) [USB-A-D-VT](#)
[USB-A-S-RA-TSMT](#) [1310-1023-02](#) [690-024-633-031](#) [UB-20PMFP-LC7001](#) [17-200011](#) [UB-20AFMM-LL7A01](#) [1040870124](#) [CAP-](#)
[WCCMLPB1](#) [CAP-WCCMLPC1](#) [2274475-3](#) [UB-20BMFA-SL8001](#) [914-614A2025S10200](#) [USB3FTV7SAGF059](#) [ZX40-B-5S-1500-](#)
[STDA\(30\)](#) [GSB3116344HR](#) [USB3FTV2SAZNF459](#) [USB3FTV7SAZNF459](#) [U221-041N-1WVS62-F5D](#) [HYCW153-USBD05-500B](#)
[HYCW219-USBD05-075B](#) [HYCW148-USBD05-117B](#) [HYCW149-USBD05-740B](#) [HYCW204-USBD05-108B](#) [HYCW214-USBA04-113B](#)
[HYCW213-USBA04-113B](#) [UB-20AMFM-SL7A01](#) [KMMX-BSMT35S-1-B30TR](#) [2345986-1](#)