

Features and Benefits

- Micropower consumption ideal for battery-powered applications
- Omnipolar, easy to use as output switches with both North and South pole
- Very High Sensitivity Hall Sensor
- Chopper stabilized amplifier stage
- Open-Drain Output
- Operation down to 1.5V

Applications

- Solid State Switch
- Handheld Wireless Handset Awake Switch
- Lid close sensor for battery-powered devices
- Magnet proximity sensor for reed switch replacement in low duty cycle applications
- Energy metering

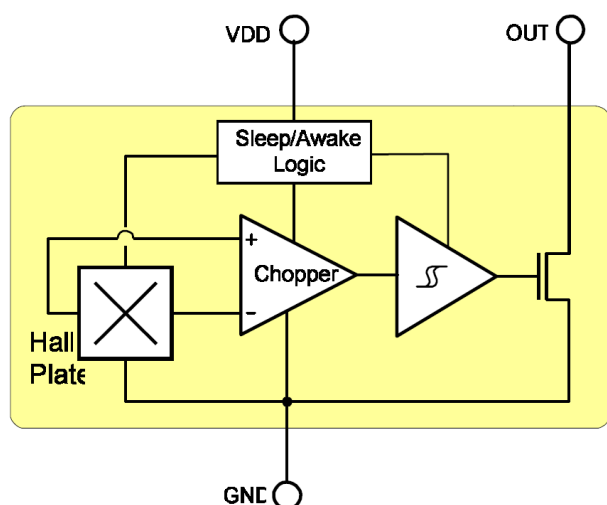
Ordering Information

Product Code	Temperature Code	Package Code	Option Code	Packing Form Code
MLX90248	E	SE	EBA-000	RE
MLX90248	E	LD	EBA-000	RE
MLX90248	E	SC	EBA-000	CN

Legend:

Temperature Code: E for Temperature Range -40°C to 85°C
 Package Code: SE for TSOT, LD for UTQFN, SC for SC-70
 Packing Form: RE for Reel, CN for Canister
 Ordering example: MLX90248ESE-EBA-000-RE

1. Functional Diagram



2. General Description

The MLX90248 Omnipolar Hall effect sensor technology. It incorporates advanced chopper-stabilization techniques to provide accurate and stable magnetic switch points. The circuit design provides an internally controlled clocking mechanism to cycle power to the Hall element and analog signal processing circuits.

This serves to place the high current-consuming portions of the circuit into a “Sleep” mode. Periodically the device is “Awakened” by this internal logic and the magnetic flux from the Hall element is evaluated against the predefined thresholds. If the flux density is above or below the Bop/Brp thresholds, then the output transistor is driven to change states accordingly. While in the “Sleep” cycle the output transistor is latched in its previous state. The design has been optimized for service in applications requiring extended operating lifetime in battery powered systems.

The output transistor of the 90248 will be latched on (BOP) in the presence of a sufficiently strong South or North magnetic field facing the marked side of the package. The output will be latched off (BRP) in the absence of a magnetic field.

Contents

Features and Benefits.....	1
Applications.....	1
Ordering Information	1
1. Functional Diagram	1
2. General Description.....	1
3. Glossary of Terms.....	3
4. Absolute Maximum Ratings.....	3
5. Pin Definitions and Descriptions	3
6. Electrical Specifications	4
7. Magnetic Specifications.....	4
8. Outputs behavior vs. Magnetic Pole.....	4
9. Detailed General Description.....	5
10. Unique Features	5
11. Performance Graphs	6
11.1. Magnetic Thresholds vs. T_A	6
11.2. Magnetic Thresholds vs. V_{DD}	6
11.3. Current Consumption vs. T_A	6
11.4. Current Consumption vs. V_{DD}	6
11.5. Consumption Period vs. T_A	6
11.6. Consumption Period vs. V_{DD}	6
11.7. Output Saturation Voltage vs. T_A	7
12. Application Information.....	7
13. Standard information regarding manufacturability of Melexis products with different soldering processes.....	8
14. ESD Precautions	8
15. Package Information	9
15.1. TSOT-3L (SE Package)	9
15.2. UTQFN-6L (LD package).....	10
15.3. SC-70 (SC Package)	12
16. Contact.....	13
17. Disclaimer.....	13

3. Glossary of Terms

Gauss, milliTesla (mT), Units of magnetic flux density
 10 Gauss = 1mT

4. Absolute Maximum Ratings

Parameter	Symbol	Value	Units
Supply Voltage	V _{DD}	5	V
Supply Current	I _{DD}	5	mA
Output Voltage	V _{OUT}	5	V
Output Current	I _{OUT}	10	mA
Operating Temperature Range	T _A	-40 to 85	°C
Storage Temperature Range	T _S	-50 to 150	°C

Exceeding the absolute maximum ratings may cause permanent damage. Exposure to absolute-maximum-rated conditions for extended periods may affect device reliability.

5. Pin Definitions and Descriptions



SE Package



LD Package



SC package

Pin Name	Function	Pin No (SE)	Pin No (LD)	Pin No (SC)
VDD	Power Supply	1	2	1
GND	Ground	3	4	3
OUT	Output	2	5	2
N.C.	Not connected	-	1, 3, 6	-

Table 1: Pin definitions and descriptions

Note: Exposed Pad on LD package is connected to ground

6. Electrical Specifications

DC Operating Parameters $T_A = 25^\circ\text{C}$, $V_{DD} = 1.5\text{V to } 3.6\text{V}$ (unless otherwise specified)

Parameter	Symbol	Conditions	Min	Typ.	Max	Units
Supply Voltage	V_{DD}	Operating	1.5	-	3.6	V
Awake Supply Current	$I_{DD\text{awake}}$	$V_{DD} = 3.6\text{V}$	-	3	5	mA
Sleep Supply Current	$I_{DD\text{sleep}}$	$V_{DD} = 3.6\text{V}$	-	3.5	6	μA
Average Supply Current	$I_{DD\text{av}}$	$V_{DD} = 3.6\text{V}$, Average	-	6.5	10	μA
Output Saturation Voltage	V_{SAT}	$I_{OUT} = 1\text{mA}$	-	0.27	0.4	V
Output Leakage Current	I_{LEAK}	$V_{DD} = 3.6\text{V}$	-	-	1	μA
Awake Period	T_{AW}	Operating	30	50	120	μs
Sleep Period	T_{SL}	Operating	25	40	70	ms

Table 2: Electrical specifications

7. Magnetic Specifications

DC Operating Parameters $T_A = 25^\circ\text{C}$, $V_{DD} = 1.5\text{V to } 3.6\text{V}$ (unless otherwise specified)

Parameter	Symbol	Min	Typ.	Max	Units
Operating Point	B_{OP}	+/-1.1	+/-3.8	+/-6	mT
Release Point	B_{RP}	+/-0.8	+/-2.8	+/-5.7	mT
Hysteresis	B_{HYS}	0.3	-	2.3	mT

Table 3: Magnetic specifications

Note : For typical values, please refer to the performance graphs section

8. Outputs behavior vs. Magnetic Pole

Parameter	Test conditions	OUT
North or South pole	$B > B_{OP} $	Low
“Zero” magnetic pole	$B < B_{RP} $	High

Table 5: Outputs behavior vs. magnetic pole

Note: The magnetic pole is applied facing the branded side of the package

9. Detailed General Description

The MLX90248 is originally used in mobile phone applications for open/close lid detection (flip, slide and swivel phone type). The goal of this detection is to switch on or off the application if the lid is opened or closed, in order to save battery power.

The same operation principle can be simply applied to any other battery-powered device with a lid/cover like laptop, digital cameras and camcorders.

By the use of a very high sensitivity Hall sensor, a very small and cheap magnet is enough to trigger the MLX90248, hence it can easily replace reed switch.

The major benefit of using a Hall sensor is to provide “electronic” commutation, which is bounce-free, more reliable and with increased lifetime compared to usual mechanical contacts.

10. Unique Features

The MLX90248 exhibits “Omnipolar” magnetic characteristics. It means the device reacts to both North and South magnetic pole. The purpose is to detect the presence of any magnetic field applied on the device.

This mode of operation simplifies customer production processes by avoiding the need to detect the Hall sensor pole active on the magnet used in the application.

Taking the example of a generic Hall sensor “south pole active”, during its production, the customer must detect the south pole of the application magnet and face it to the device to enable the output to be turned on and off. Without any magnet pole detection system, the incorrect magnetic pole (north in this example) could be faced to the device which would fail the application.

Therefore, the “Omnipolar” magnetic behavior helps customers by removing the need of magnet pole detection system during production phase.

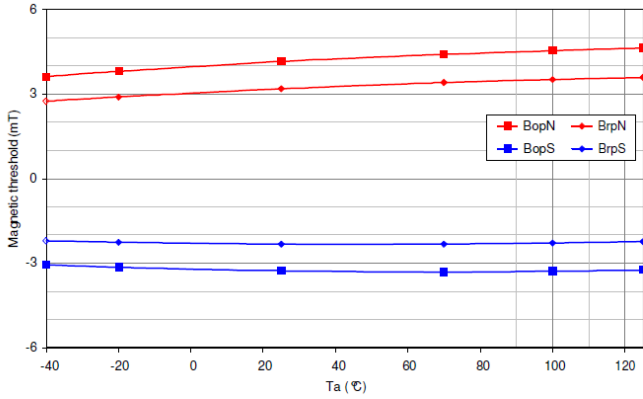
The “Micropower” feature makes the MLX90248 especially suitable for battery-powered device as it combines low voltage operation and low current consumption. By using a sleep/awake strategy managed internally, the power consumption is drastically reduced. To make a comparison, the MLX90248 consumes 100 times less power than the generic low voltage Melexis Hall sensor US3881.

As well as Thin SOT package, the MLX90248 is now delivered in a UTQFN package. This new leadless package only requires 3mm² PCB surface and is 0.43mm maximum thick, which is particularly important in design where space-saving and miniaturization are the critical factors.

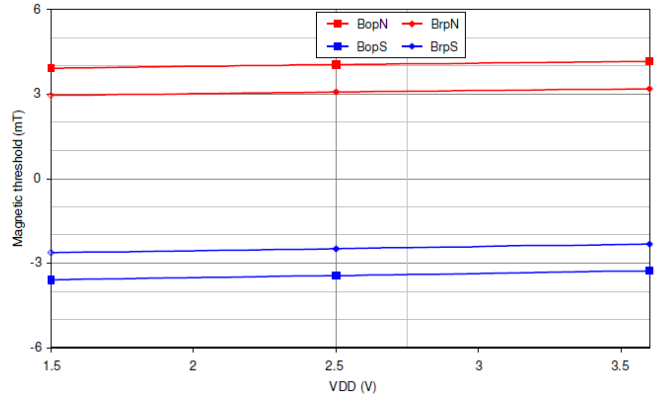
11. Performance Graphs

Unless otherwise specified, performance graphs given at $V_{DD} = 3.6V$ and $T_A = 25\text{ }^\circ C$.

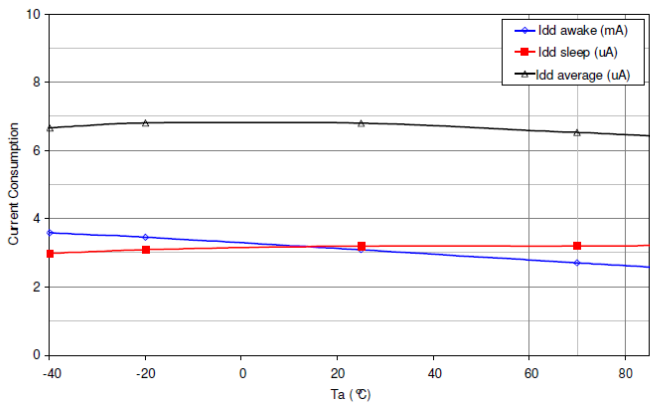
11.1. Magnetic Thresholds vs. T_A



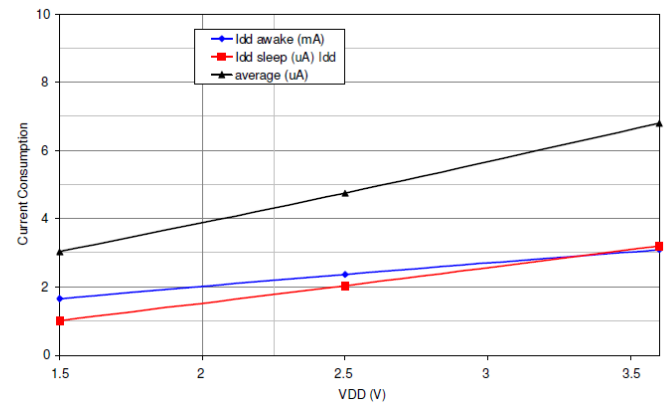
11.2. Magnetic Thresholds vs. V_{DD}



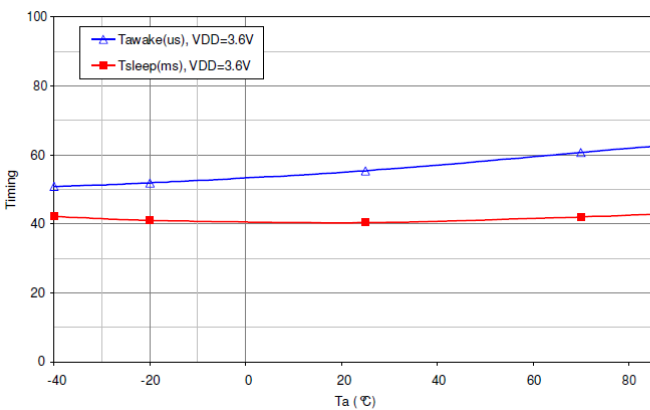
11.3. Current Consumption vs. T_A



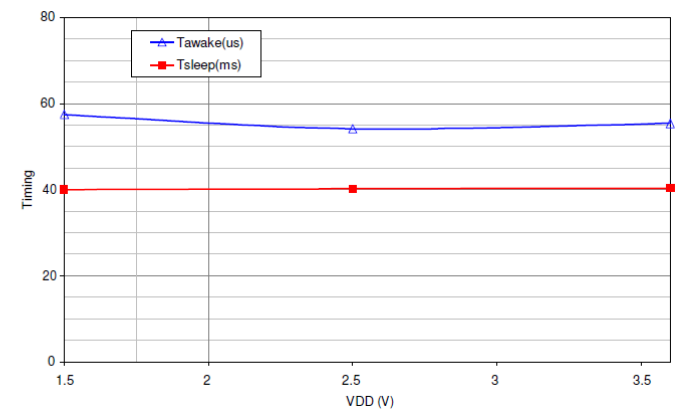
11.4. Current Consumption vs. V_{DD}



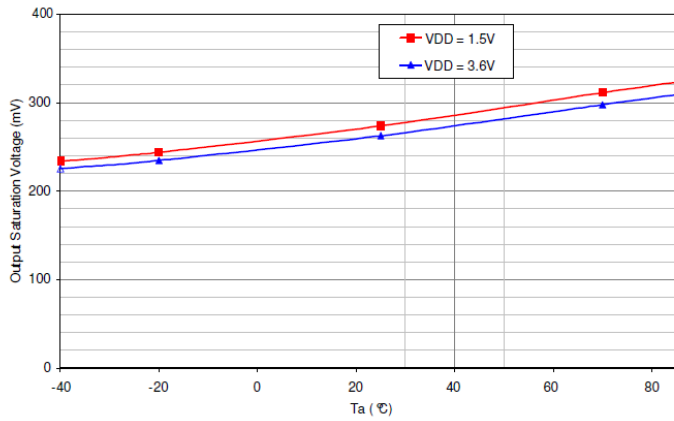
11.5. Consumption Period vs. T_A



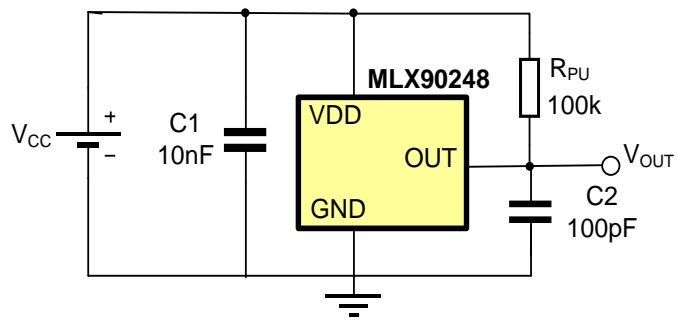
11.6. Consumption Period vs. V_{DD}



11.7. Output Saturation Voltage vs. T_A



12. Application Information



13. Standard information regarding manufacturability of Melexis products with different soldering processes

Our products are classified and qualified regarding soldering technology, solderability and moisture sensitivity level according to following test methods:

Reflow Soldering SMD's (Surface Mount Device)

- IPC/JEDEC J-STD-020
Moisture/Reflow Sensitivity Classification for Nonhermetic Solid State Surface Mount Devices (classification reflow profiles according to table 5-2)
- EIA/JEDEC JESD22-A113
Preconditioning of Nonhermetic Surface Mount Devices Prior to Reliability Testing (reflow profiles according to table 2)

Wave Soldering SMD's (Surface Mount Device) and THD's (Through Hole Device)

- EN60749-20
Resistance of plastic- encapsulated SMD's to combined effect of moisture and soldering heat
- EIA/JEDEC JESD22-B106 and EN60749-15
Resistance to soldering temperature for through-hole mounted devices

Iron Soldering THD's (Through Hole Device)

- EN60749-15
Resistance to soldering temperature for through-hole mounted devices

Solderability SMD's (Surface Mount Device) and THD's (Through Hole Device)

- EIA/JEDEC JESD22-B102 and EN60749-21
Solderability

For all soldering technologies deviating from above mentioned standard conditions (regarding peak temperature, temperature gradient, temperature profile etc) additional classification and qualification tests have to be agreed upon with Melexis.

The application of Wave Soldering for SMD's is allowed only after consulting Melexis regarding assurance of adhesive strength between device and board.

Melexis is contributing to global environmental conservation by promoting **lead free** solutions. For more information on qualifications of **RoHS** compliant products (RoHS = European directive on the Restriction Of the use of certain Hazardous Substances) please visit the quality page on our website: <http://www.melexis.com/quality.aspx>

14. ESD Precautions

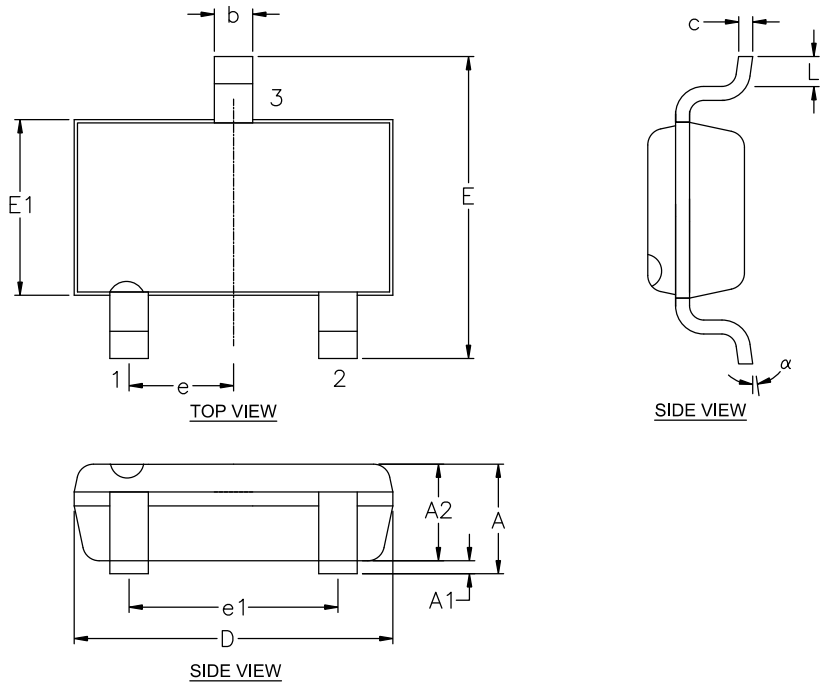
Electronic semiconductor products are sensitive to Electro Static Discharge (ESD).

Always observe Electro Static Discharge control procedures whenever handling semiconductor products.

15. Package Information

15.1. TSOT-3L (SE Package)

15.1.1. TSOT-3L – Package dimensions

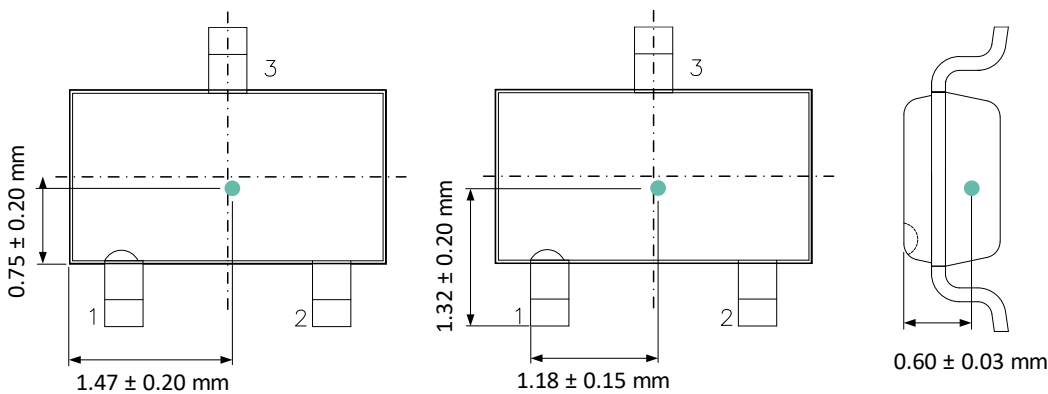


SYMBOL	MINIMUM	MAXIMUM
A	---	1.00
A1	0.025	0.10
A2	0.85	0.90
D	2.80	3.00
E	2.60	3.00
E1	1.50	1.70
L	0.30	0.50
b	0.30	0.45
c	0.10	0.20
e	0.95 BSC	
e1	1.90 BSC	
α	0°	8°

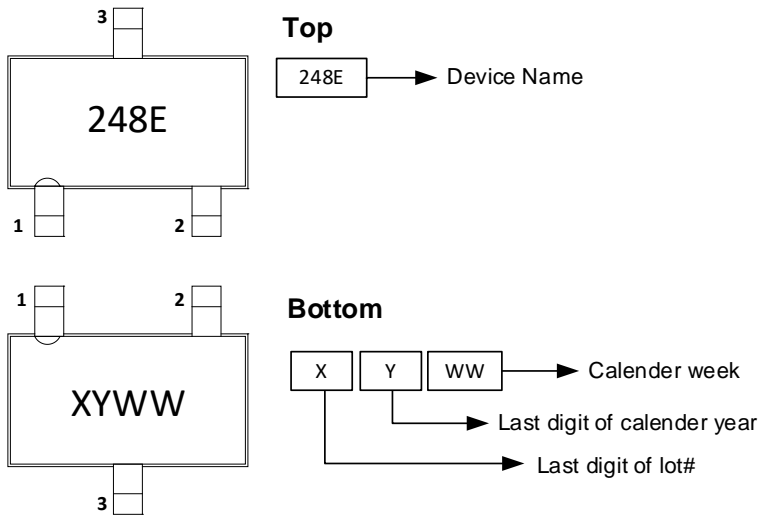
NOTE :

1. ALL DIMENSIONS IN MILLIMETERS (mm) UNLESS OTHERWISE STATED.
2. DIMENSION D DOES NOT INCLUDE MOLD FLASH OR PROTRUSIONS OF MAX 0.15 mm PER SIDE.
3. DIMENSION E DOES NOT INCLUDE MOLD FLASH OR PROTRUSIONS OF MAX 0.25 mm PER SIDE.
4. DIMENSION b DOES NOT INCLUDE DAMBAR PROTRUSION OF MAX 0.07 mm.
5. DIMENSION L IS THE LENGTH OF THE TERMINAL FOR SOLDERING TO A SUBSTRATE.
6. FORMED LEAD SHALL BE PLANAR WITH RESPECT TO ONE ANOTHER WITH 0.076 mm SEATING PLANE.

15.1.2. TSOT-3L - Sensitive spot positioning

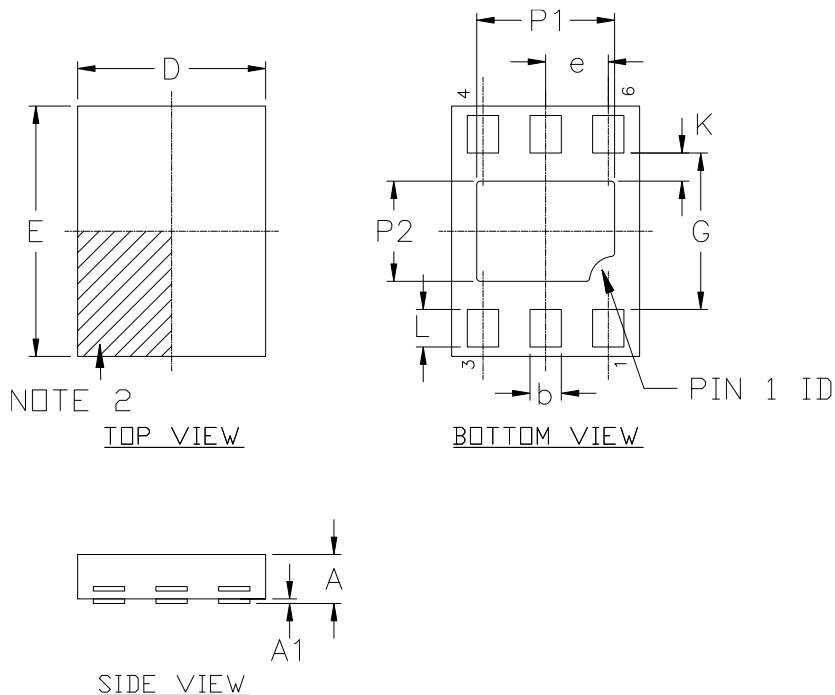


15.1.3. TSOT-3L - Package Marking



15.2. UTQFN-6L (LD package)

15.2.1. UTQFN-6L - Package dimensions

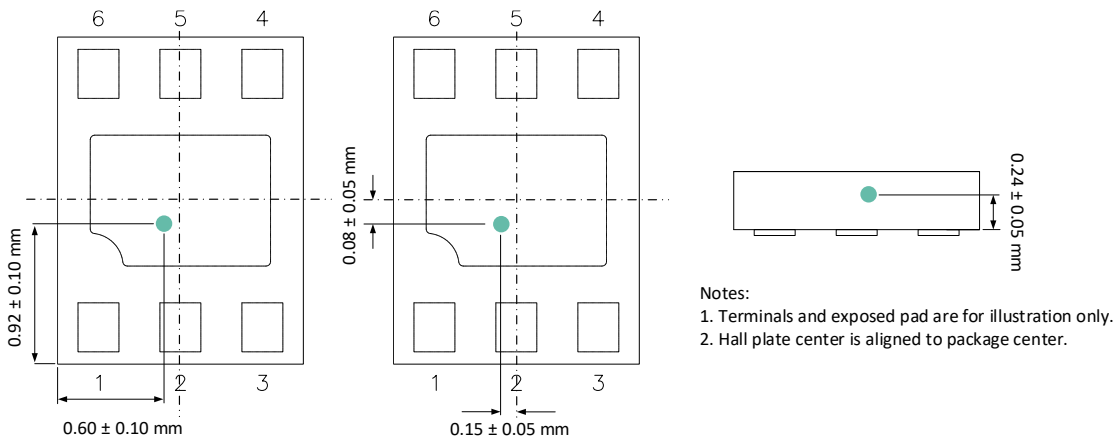


SYMBOL	MINIMUM	MAXIMUM
A	0.31	0.40
A1	0.00	0.05
D	1.40	1.60
E	1.90	2.10
P1	0.95	1.20
P2	0.65	0.90
G	1.20	1.30
L	0.22	0.43
K	0.20	---
b	0.18	0.30
e	0.50 BSC	

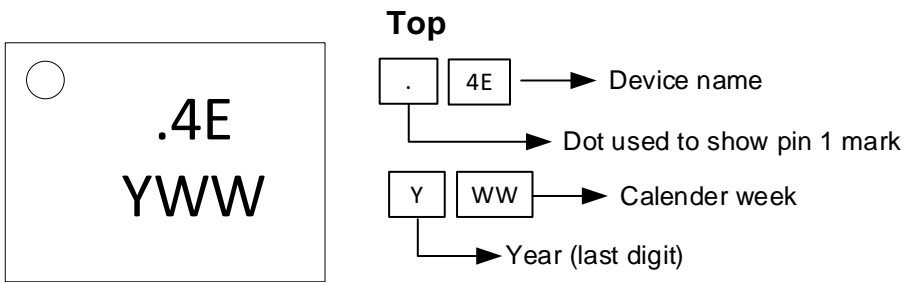
NOTE :

1. ALL DIMENSIONS IN MILLIMETERS (mm).
2. TERMINAL #1 IDENTIFIER AND TERMINAL NUMBERING CONVENTION SHALL CONFORM JEDEC PUBLICATION 95 SPP-002. DETAILS OF TERMINAL #1 IDENTIFIER ARE OPTIONAL, BUT MUST BE LOCATED WITHIN THE ZONE IDENTICATED. THE TERMINAL #1 IDENTIFIER MAY BE MARKED FEATURE.
3. EXPOSED TIE BAR SHOULD BE KEPT FREE FROM SOLDER.

15.2.2. UTQFN-6L - Sensitive spot positioning

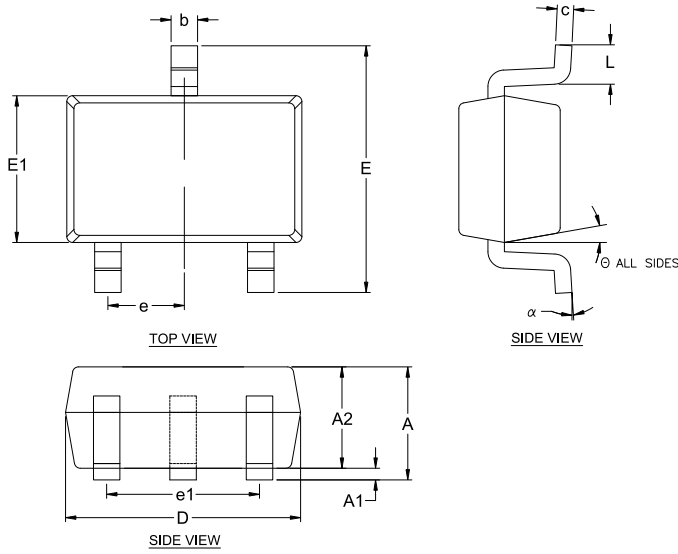


15.2.3. UTQFN-6L - Package Marking



15.3. SC-70 (SC Package)

15.3.1. SC-70 - Package dimensions

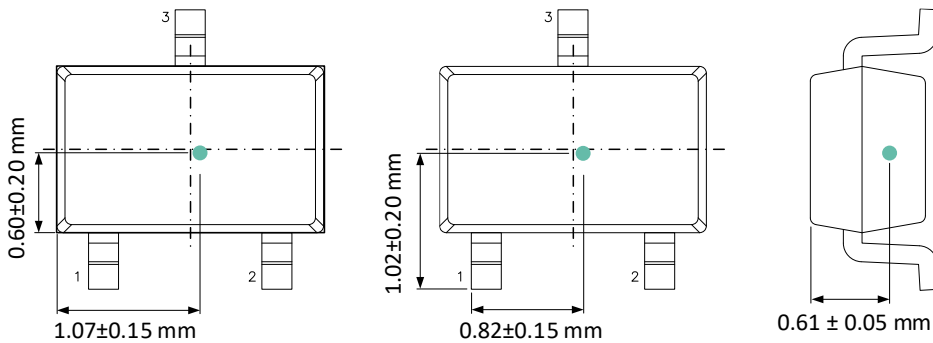


SYMBOL	MINIMUM	MAXIMUM
A	---	1.00
A1	0.00	0.10
A2	0.80	0.93
D	1.80	2.20
E	1.80	2.40
E1	1.15	1.35
L	0.26	0.46
b	0.15	0.30
c	0.10	0.18
e	0.65 BSC	
e1	1.30 BSC	
α	0°	8°
θ	8°	12°

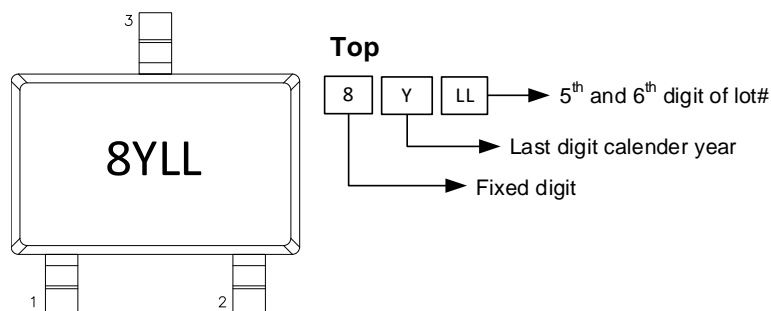
NOTE :

1. ALL DIMENSIONS IN MILLIMETERS (mm) UNLESS OTHERWISE STATED.
2. DIMENSION D DOES NOT INCLUDE MOLD FLASH, PROTRUSIONS OR GATE BURRS.
3. DIMENSION b DOES NOT INCLUDE INTER-LEAD FLASH OR PROTRUSIONS.
4. ALL SPECIFICATIONS REFER TO EIAJ SC-70 EXCEPT FOR LEAD WIDTH AND FOOT LENGTH DIMENSION.
5. DIE IS FACING DOWN.
6. DIMENSION L IS THE LENGTH OF THE TERMINAL FOR SOLDERING TO A SUBSTRATE.
7. FORMED LEAD SHALL BE PLANAR WITH RESPECT TO ONE ANOTHER WITH MAX 0.1 mm to SEATING PLANE.

15.3.2. SC-70 - Sensitive spot positioning



15.3.3. SC-70 - Package Marking



16. Contact

For the latest version of this document, go to our website at www.melexis.com.

For additional information, please contact our Direct Sales team and get help for your specific needs:

Europe, Africa	Telephone: +32 13 67 04 95
	Email : sales_europe@melexis.com
Americas	Telephone: +1 603 223 2362
	Email : sales_usa@melexis.com
Asia	Email : sales_asia@melexis.com

17. Disclaimer

The content of this document is believed to be correct and accurate. However, the content of this document is furnished "as is" for informational use only and no representation, nor warranty is provided by Melexis about its accuracy, nor about the results of its implementation. Melexis assumes no responsibility or liability for any errors or inaccuracies that may appear in this document. Customer will follow the practices contained in this document under its sole responsibility. This documentation is in fact provided without warranty, term, or condition of any kind, either implied or expressed, including but not limited to warranties of merchantability, satisfactory quality, non-infringement, and fitness for purpose. Melexis, its employees and agents and its affiliates' and their employees and agents will not be responsible for any loss, however arising, from the use of, or reliance on this document. Notwithstanding the foregoing, contractual obligations expressly undertaken in writing by Melexis prevail over this disclaimer.

This document is subject to change without notice, and should not be construed as a commitment by Melexis. Therefore, before placing orders or prior to designing the product into a system, users or any third party should obtain the latest version of the relevant information.

Users or any third party must determine the suitability of the product described in this document for its application, including the level of reliability required and determine whether it is fit for a particular purpose.

This document as well as the product here described may be subject to export control regulations. Be aware that export might require a prior authorization from competent authorities. The product is not designed, authorized or warranted to be suitable in applications requiring extended temperature range and/or unusual environmental requirements. High reliability applications, such as medical life-support or life-sustaining equipment or avionics application are specifically excluded by Melexis. The product may not be used for the following applications subject to export control regulations: the development, production, processing, operation, maintenance, storage, recognition or proliferation of:

- 1. chemical, biological or nuclear weapons, or for the development, production, maintenance or storage of missiles for such weapons;*
- 2. civil firearms, including spare parts or ammunition for such arms;*
- 3. defense related products, or other material for military use or for law enforcement;*
- 4. any applications that, alone or in combination with other goods, substances or organisms could cause serious harm to persons or goods and that can be used as a means of violence in an armed conflict or any similar violent situation.*

No license nor any other right or interest is granted to any of Melexis' or third party's intellectual property rights.

If this document is marked "restricted" or with similar words, or if in any case the content of this document is to be reasonably understood as being confidential, the recipient of this document shall not communicate, nor disclose to any third party, any part of the document without Melexis' express written consent. The recipient shall take all necessary measures to apply and preserve the confidential character of the document. In particular, the recipient shall (i) hold document in confidence with at least the same degree of care by which it maintains the confidentiality of its own proprietary and confidential information, but no less than reasonable care; (ii) restrict the disclosure of the document solely to its employees for the purpose for which this document was received, on a strictly need to know basis and providing that such persons to whom the document is disclosed are bound by confidentiality terms substantially similar to those in this disclaimer; (iii) use the document only in connection with the purpose for which this document was received, and reproduce document only to the extent necessary for such purposes; (iv) not use the document for commercial purposes or to the detriment of Melexis or its customers. The confidentiality obligations set forth in this disclaimer will have indefinite duration and in any case they will be effective for no less than 10 years from the receipt of this document.

This disclaimer will be governed by and construed in accordance with Belgian law and any disputes relating to this disclaimer will be subject to the exclusive jurisdiction of the courts of Brussels, Belgium.

The invalidity or ineffectiveness of any of the provisions of this disclaimer does not affect the validity or effectiveness of the other provisions. The previous versions of this document are repealed.

Melexis © - No part of this document may be reproduced without the prior written consent of Melexis. (2020)

IATF 16949 and ISO 14001 Certified

X-ON Electronics

Largest Supplier of Electrical and Electronic Components

Click to view similar products for [Board Mount Hall Effect/Magnetic Sensors](#) category:

Click to view products by [Melexis](#) manufacturer:

Other Similar products are found below :

[HGPRDT005A](#) [AH277AZ4-AG1](#) [AV-10379](#) [AV-10448](#) [SS41C](#) [AH1894-Z-7](#) [ATS601LSGTN-LT-WU4-T](#) [TLE4917](#) [50017859-003](#) [TY-13101](#) [TLE4976L](#) [AH49FNTR-G1](#) [SS85CA](#) [AH277AZ4-BG1](#) [TLE49614MXTSA1](#) [AH3377-P-B](#) [AH211Z4-AG1](#) [AH3360-FT4-7](#) [SS460S-100SAMPLE](#) [50065820-03](#) [TLE4941PLUSCB](#) [AH374-P-A](#) [AH1806-P-A](#) [AH374-W-7](#) [SS460P-T2](#) [AH1913-W-7](#) [SS413F](#)
[TLE5046ICAKLRHALA1](#) [TLE49421CHAMA2](#) [TLE4941PLUSCXAMA1](#) [AH1912-W-EVM](#) [AH1903-FA-EVM](#) [AH3774-W-EVM](#)
[AH49FNTR-EVM](#) [MMC5633NJL](#) [AH3360-FA-EVM](#) [AH8502-FDC-EVM](#) [AH3366Q-SA-EVM](#) [AH3774-P-EVM](#) [KTH1601SU-ST3](#)
[MG910](#) [MG910M](#) [MG911](#) [MG610](#) [MW921](#) [MW922](#) [TLE4998S3XALA1](#) [TLE5011FUMA1](#) [TLE5027CE6747HAMA1](#)
[TLE5109A16E2210XUMA1](#)