

40GbE, 40Gb/s, Passive Copper Cables

Mellanox's 40GbE passive copper cables provide robust connections for leading edge 40Gb/s systems. Passive copper cables require no additional power to ensure quality connectivity. The 40Gb/s passive copper cables are compliant with SFF-8436, QSFP+, specifications and provide connectivity between devices using QSFP ports. 40Gb/s passive copper cables fill the need for short, cost-effective connectivity in the data center. Mellanox's high-quality passive copper cable solutions provide a power-efficient replacement for active power connectivity such as fiber optic cables.

Optimizing systems to operate with Mellanox's 40Gb/s passive copper cables significantly reduces power consumption and EMI emission, eliminating the use of EDC hosts.

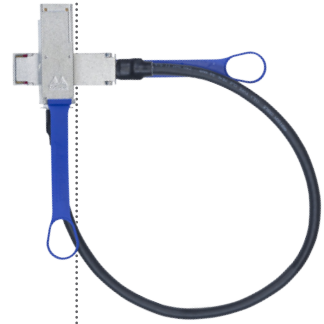


Table 1 - Cable Specifications and Ordering Information

Maximum Reach [m]	Max Cable Diameter [mm]	Min Bend Radius [mm]	Assembly Min Bend Radius [mm] ¹	Weight [Grams/meter] ²	Length Tolerance [mm]	Part Number
1	6.3	30	61	55	40	MC2210130-001
2	6.3	30	61	55	60	MC2210130-002
3	7.4	40	71	79	100	MC2210128-003
4	9.6	50	82	96	100	MC2210126-004
5	9.6	50	82	96	100	MC2210126-005

1. See figure 1 for bend radius description

2. Weight is per raw cable meter, excluding connectors

Table 2 - Absolute Maximum Ratings

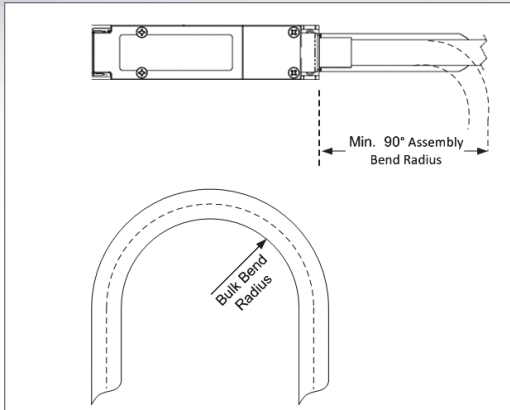
Parameter	Parameter Range
Operating Case Temperature	0°C to 70°C
Storage Ambient Temperature	-10°C to 75°C

Table 3 - Operating Conditions

Parameter	Minimum	Maximum	Units
Data Rate per Lane	1	14	Gb/s
Input Voltage	-0.3	3.6	V
Humidity (RH)	5	85	%

HIGHLIGHTS

- Compliant with SFF-8436
- Compliant with IEEE 802.3ba
- Up to 5m 40Gb/s data rates
- Ultra low crosstalk for improved performance
- Low insertion loss
- BER better than 10⁻¹⁵
- Serial numbers printed on each end
- Tested in an end-to-end system
- RoHS 6 Compliant



Warranty Information

The Mellanox Passive Copper 40Gb/s QSFP cables include a 1-year limited hardware warranty, which covers repair or replacement.

Additional Information

For more information about Mellanox QSFP cable solutions, please contact your Mellanox Technologies sales representative or visit: <http://www.mellanox.com=>Products=>Cables=>Cables Overview>

Figure 1. Mechanical Drawings and Information

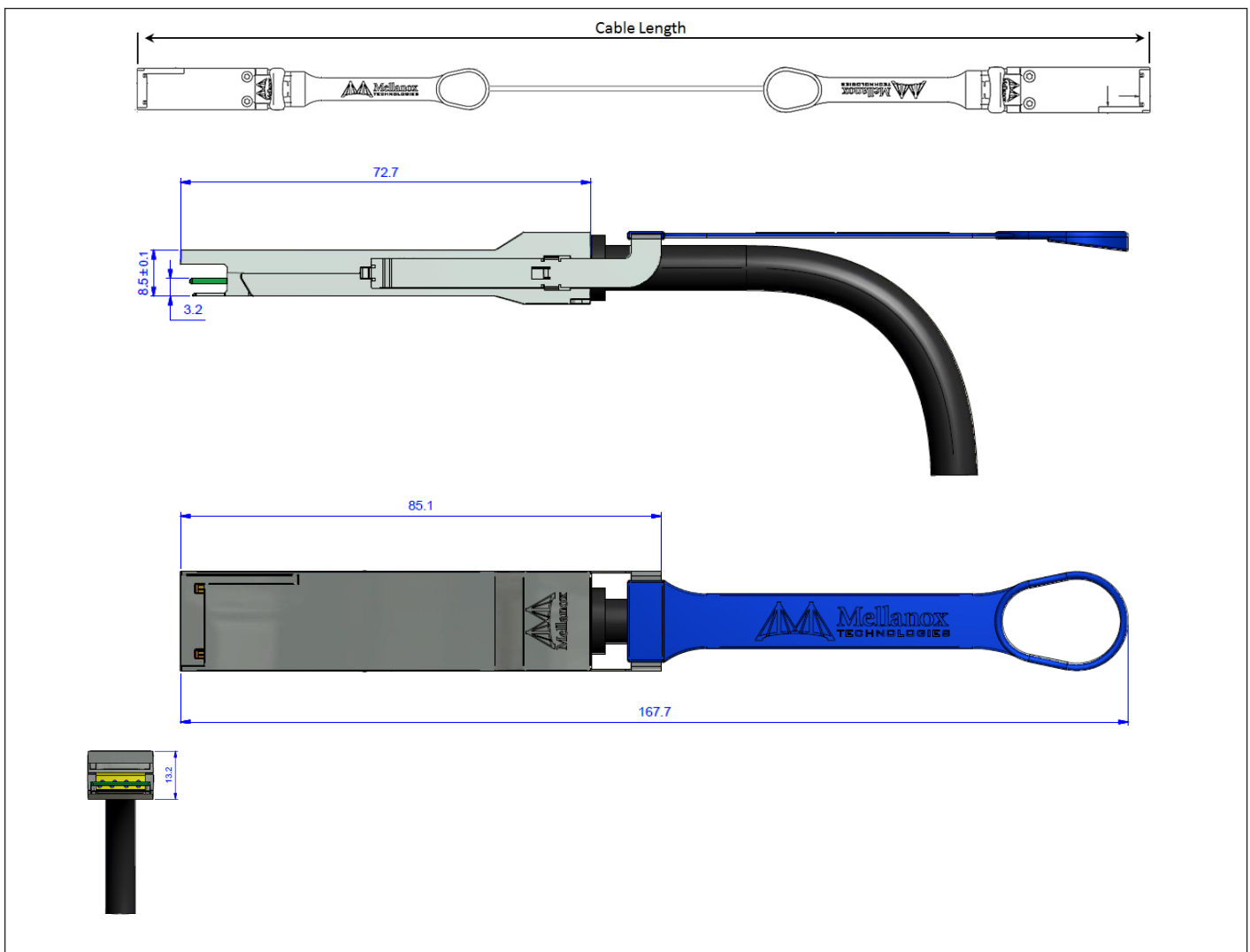


Figure 2. Mechanical Drawings and Information



350 Oakmead Parkway, Suite 100, Sunnyvale, CA 94085
 Tel: 408-970-3400 • Fax: 408-970-3403
www.mellanox.com

X-ON Electronics

Largest Supplier of Electrical and Electronic Components

Click to view similar products for [mellanox](#) manufacturer:

Other Similar products are found below :

[Mellanox](#)