

Product Specification for Approval

WE ARE PLEASED IN SUBMITTING OUR SAMPLES WITH SPECIFICATION TO YOU FOR APPROVAL.

CUSTOMER	:	
DESCRIPTION	:	Common Mode Choke
MNC P/N	:	CM0903SG881N
VERSION	:	A0
CUSTOMER P/N	:	
ISSUED DATE	:	2020/4/26
PHOTO OF PRODUCT	:	
WEIGHT	:	1.38g
MADE IN	:	CHINA



APPROVED BY MNC		
PREPARED BY	CHECKED BY	APPROVED BY

APPROVED BY CUSTOMER
SIGNATURE OR STAMP

1. PLEASE SEND BACK US A COPY OF THE SPECIFICATION WITH YOUR STAMP OR SIGNATURE ONCE THE SAMPLES APPROVED.
2. IT WILL BE DEEMED THE SAMPLES TO BE APPROVED IF NO FEEDBACK.

东莞铭普光磁股份有限公司
 Add: Shipai Town, Dongguan City, Guangdong Province, China

TEL: +86-769-86921000
 FAX: +86-769-81701563



HISTORY FOR REVISED SPECIFICATION

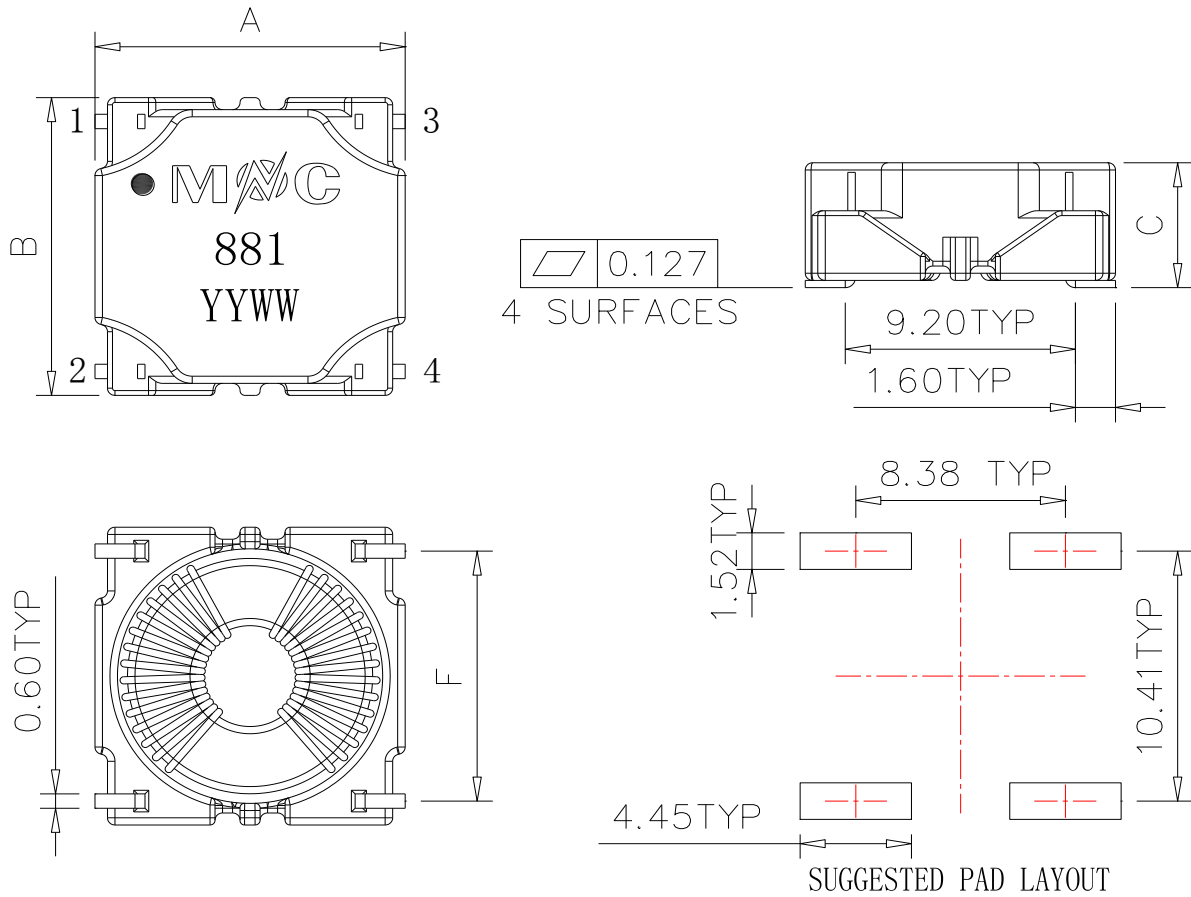
Part No. CM0903SG881N

INDEX

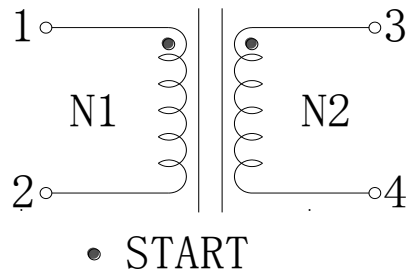
- 1. INDEX----- 1
- 2. CHANGE RECORD----- 1
- 3. MECHANICAL----- 2
- 4. SCHEMATIC----- 3
- 5. PACKING----- 4
- 6. MATERIAL LIST----- 5
- 7. RECOMMENDED SOLDERING PROFILE----- 6

CHANGE RECORD

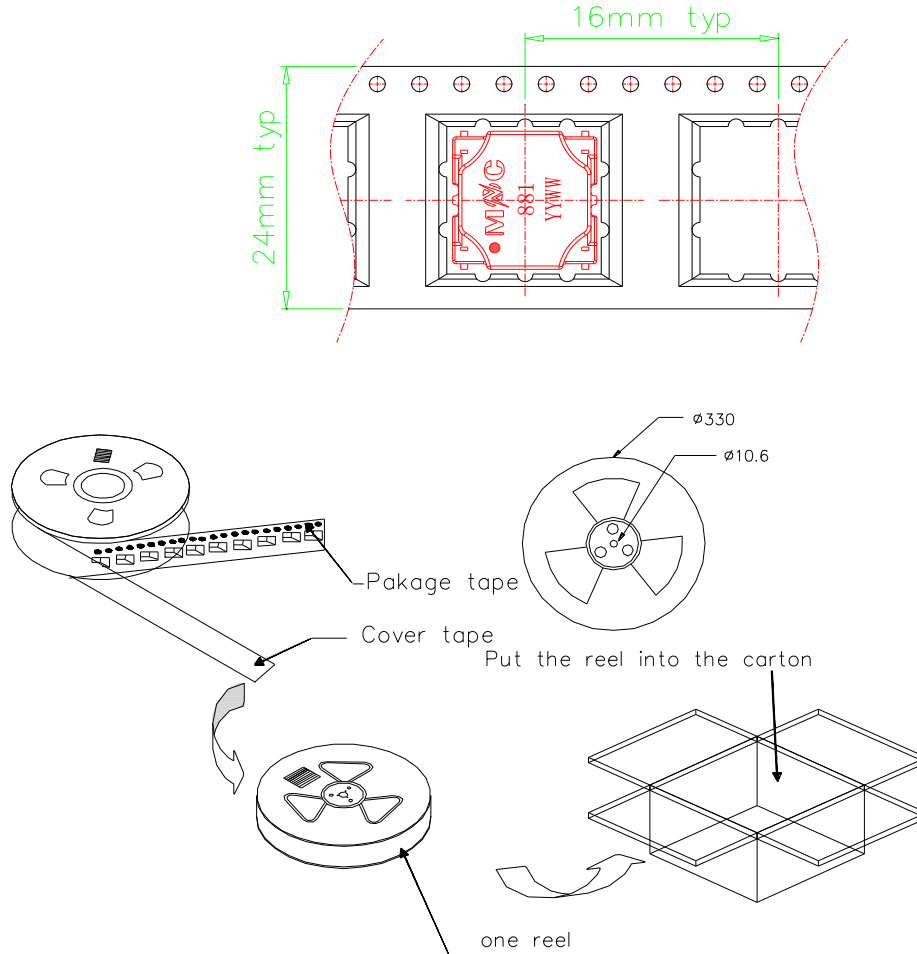
REV.	DESCRIPTION (Content or Reason For Change)	DATE	REVISOR
A0	Initial release	2020/4/26	Alakay

SPECIFICATION
Part No. CM0903SG881N
A. MECHANICAL:


DIM	MILLIMETERS			INCHES		
	MIN	NOM	MAX	MIN	NOM	MAX
A	/	/	12.70	/	/	0.500
B	/	/	12.70	/	/	0.500
C	/	/	5.46	/	/	0.215
F	/	10.41	/		0.410	/

SPECIFICATION
Part No. CM0903SG881N
B. SCHEMATIC :

C. ELECTRICAL SPECIFICATION @25°C

ITEM	SPECIFICATION	TEST CONDITION	TEST EQUIPMENT
INDUCTANCE: (1-2)	880uH \pm 35%	100KHz, 0.1V	TH2819XB OR EQU.
INDUCTANCE: (3-4)	880uH \pm 35%	100KHz, 0.1V	TH2819XB OR EQU.
DC RESISTANCE: (1-2)	110m Ω MAX	25°C	TH2512B OR EQU.
DC RESISTANCE: (3-4)	110m Ω MAX	25°C	TH2512B OR EQU.
HI-POT: (1-2) to (3-4)	1000Vac	1mA, 1Sec, 50Hz	TH9201S OR EQU.
TURNS RATIO: (1-2) : (3-4)	1:1 \pm 5%	20KHz, 1V	TH2819XB OR EQU.
RATED CURRENT:	1.63A Max Δ T \leq 40°C (无风环境下)		
OPERATING TEMPERATURE RANGE:	-40°C to +85°C		
STORAGE TEMPERATURE RANGE:	-40°C to +125°C		

PACKAGE
Part No. CM0903SG881N
1. PACKING:
a. PACKAGING AS BELOW (ONLY FOR REFERENCE):

b. Q'TY:

600pcs/reel
 8reel/carton
 4800pcs/carton

c. LABEL:

REMARK:

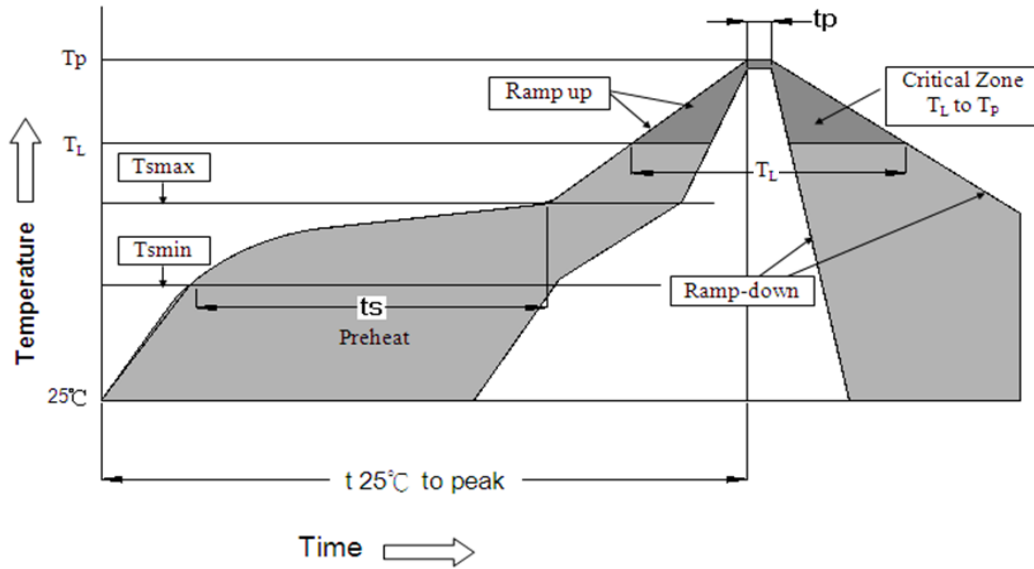
ABOVE PACKING IS FOR YOUR REFERENCE ONLY, WHICH MIGHT BE CHANGED WITHOUT NOTICE.

MATERIAL LIST
Part No. CM0903SG881N
BOM

MATERIAL LIST					
NO.	ITEM	MATERIAL	RATING	SUPPLIER OF MATERIAL	UL
1	CORE	Ferrite Mn-Zn	-----	RUYUAN DONGYANGGUANG MAGNETIC MATERIALS CO.,LTD	N/A
				SUNSINE ELECTRONIC TECHNOLOGY CO., LTD. OR EQU.	
2	WIRE	UEWH/U@	180℃	PACIFIC ELECTRIC WIRE & CABLE CO., LTD.	E201757
		*xUEW180	180℃	ZHUHAI SUNTEK WIRE CO.,LTD OR EQU.	E234867
3	EPOXY	9053A/B	-----	MIANYANG WELLS ELECTRONIC MATERIALS CO., LTD. OR EQU.	E223455
4	CASE	PHENOLIC (WH-8100F)	130℃	WAH HONG INDUSTRIAL CORP.	E150608
		PHENOLIC (PM-9630)	150℃	SUMITOMO BAKELITE CO LTDOR EQU.	E41429
5	SOLDER	Sn99.3Cu0.7 LF-303	-----	ELECTROLOY METAL(SHENZHEN)CO.,LTD. OR EQU.	N/A

RECOMMENDED SOLDERING PROFILE
Part No. CM0903SG881N
1. RECOMMENDED REFLOW SOLDERING PROFILE:

Below content is only for your reference.


 $T_L = 217^\circ\text{C}$
 $T_p = 265^\circ\text{C}$
 $t_s = 60-180\text{s}$
 $T_s \text{ max} = 200^\circ\text{C}$
 $T_s \text{ min} = 150^\circ\text{C}$
 $T_L = 60-150\text{s}$
 $T_p = 20-40\text{s}$
 $T_{25^\circ\text{C to peak}} = 8 \text{ min max}$

 Ramp up rate = 3°C/s max

 Ramp down rate = 6°C/s max

*RoHS Compliant

*Solder Paste SAC 305 Sn 96.5/Ag 3.0/Cu 0.5

*Silkscreen thickness: 0.15mm Min

2. MOISTURE SENSITIVE LEVEL:

2.1. Level: 1

2.2. Shelf Life: Unlimited

 2.3. Storage Condition: $\leq 30^\circ\text{C}/85\% \text{ RH}$

X-ON Electronics

Largest Supplier of Electrical and Electronic Components

Click to view similar products for [Common Mode Chokes / Filters](#) category:

Click to view products by [Mentech](#) manufacturer:

Other Similar products are found below :

[PE-64683](#) [RD5122-6-9M6](#) [ST6118T-R](#) [FE3X025-10-7NL](#) [T8114NLT](#) [TCM0806G-350-2P-T](#) [TCM0806G-650-2P-T](#) [IND-0110](#)
[UAL21VR0802000](#) [UALSC023000000](#) [UALSC1020JH000](#) [UALSU10VD20010](#) [UALSU9VD070100](#) [36-00037](#) [CM7060M132R-10](#)
[UALW21HS072450](#) [UALSU9H0208000](#) [UAL24VK06450CH](#) [PLT10HH501100PNB](#) [PLT10HH401100PNB](#) [PLT10HH1026R0PNB](#) [36-](#)
[00029-01](#) [PE-67531](#) [TLH10UB](#) [113 OR5](#) [2752045447](#) [CM8663Z161B-10](#) [7351V](#) [CMF16-153131](#) [T8116NLT](#) [CMS2-10-R](#) [FE2X10-4-2NL](#)
[T8003NLT](#) [CTX01-13663](#) [CTX66-19521-R](#) [RC212-0.5-10M](#) [RC112-0.4-15M](#) [RC212-0.6-6M8](#) [RC212-0.4-15M](#) [RC112-0.3-30M](#) [4534-3](#)
[WTCF2012Z0M751PB](#) [PH9408.814NLT](#) [B82498B3221J000](#) [PAC6006.364NLT](#) [PAC6006.444NLT](#) [PAC6006.204NLT](#) [PH9407.204NLT](#)
[PAC6006.264NLT](#) [PH9408.105NLT](#) [PH9408.494NLT](#)