



## Product Specification for Approval

**WE ARE PLEASED IN SUBMITTING OUR SAMPLES WITH SPECIFICATION TO YOU FOR APPROVAL.**

<b>CUSTOMER</b>	:	
<b>DESCRIPTION</b>	:	<b>COMMON MODE CHOKE</b>
<b>MNC P/N</b>	:	<b>CM633SG332N</b>
<b>VERSION</b>	:	<b>A0</b>
<b>CUSTOMER P/N</b>	:	
<b>ISSUED DATE</b>	:	<b>2020/4/27</b>
<b>PHOTO OF PRODUCT</b>	:	
<b>WEIGHT</b>	:	<b>0.70g</b>
<b>MADE IN</b>	:	<b>CHINA</b>

APPROVED BY MNC		
PREPARED BY	CHECKED BY	APPROVED BY

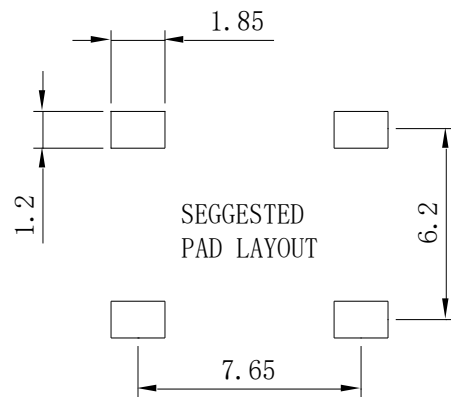
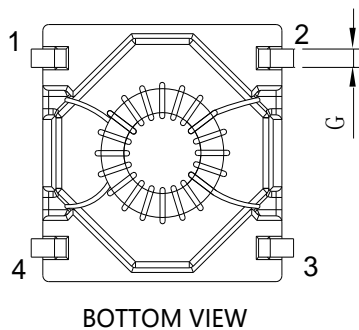
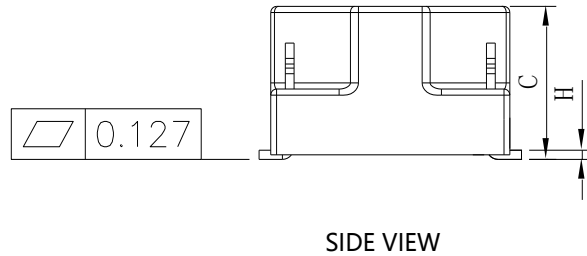
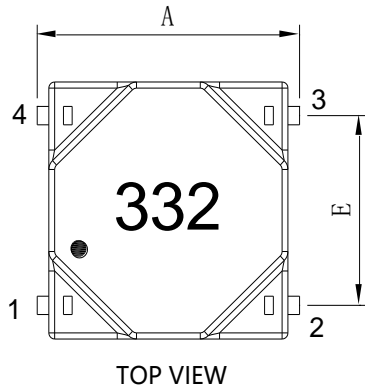
APPROVED BY CUSTOMER
SIGNATURE OR STAMP

1. PLEASE SEND BACK US A COPY OF THE SPECIFICATION WITH YOUR STAMP OR SIGNATURE ONCE THE SAMPLES APPROVED.
2. IT WILL BE DEEMED THE SAMPLES TO BE APPROVED IF NO FEEDBACK.

东莞铭普光磁股份有限公司  
Add: Shipai Town, Dongguan City, Guangdong Province, China

TEL: +86-769-86921000  
FAX: +86-769-81701563



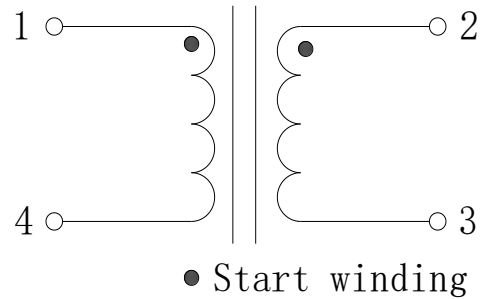
**SPECIFICATION**
**Part No. CM633SG332N**
**A. MECHANICAL:**


1.UNITS: mm

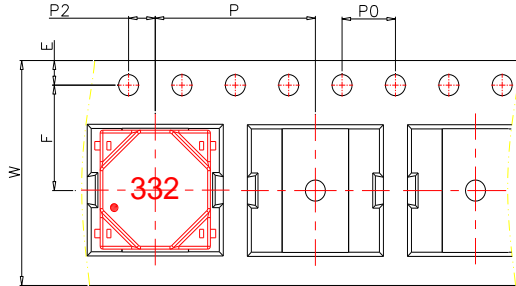
 2.Unless otherwise specified all tolerances are:  $\pm 0.25\text{mm}$ 

3.All pin length don't include tin icicles

DIM	MILLIMETERS			INCHES		
	MIN	NOM	MAX	MIN	NOM	MAX
<b>A</b>	8.50	9.00	9.50	0.335	0.354	0.374
<b>B</b>	7.90	8.40	8.90	0.311	0.331	0.350
<b>C</b>	/	/	5.60	/	/	0.220
<b>E</b>	6.05	6.20	6.35	0.238	0.244	0.250
<b>G</b>	0.45	0.60	0.75	0.018	0.024	0.030
<b>H</b>	0.15	0.30	0.45	0.006	0.012	0.018

**SPECIFICATION**
**Part No. CM633SG332N**
**B. SCHEMATIC :**

**C. ELECTRICAL SPECIFICATION @25°C**

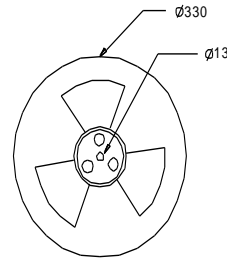
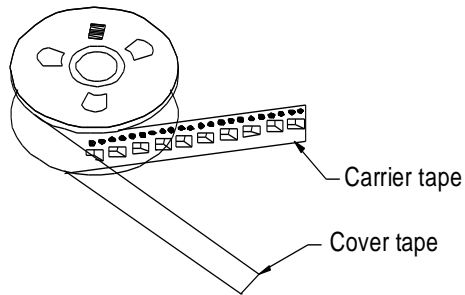
ITEM	SPECIFICATION	TEST CONDITION	TEST EQUIPMENT
INDUCTANCE: 1-4 = 2-3	3.3mH <sup>+50%</sup> / <sub>-30%</sub>	10KHz,0.1V	TH2819XB OR EQU.
DC RESISTANCE: 1-4 = 2-3	360mΩ Max		TH2512B OR EQU.
TURNS RATIO: 1-4 : 2-3	1:1 ±5%		TH2819XB OR EQU.
HI-POT: 1-4 to 2-3	500Vac	1mA,1S,50Hz	TOS7200 OR EQU.
RATED CURRENT	ΔT ≤ 40°C	0.52A Max	WK3260B+WK3265B
OPERATING TEMPERATURE RANGE	-40°C to 125°C (Including self temperature rise)		
STORAGE TEMPERATURE RANGE	-40°C to 125°C		

**D.PACKAGE**
**Part No. CM633SG332N**
**1. PACKING:**
**a. PACKAGING AS BELOW (ONLY FOR REFERENCE):**


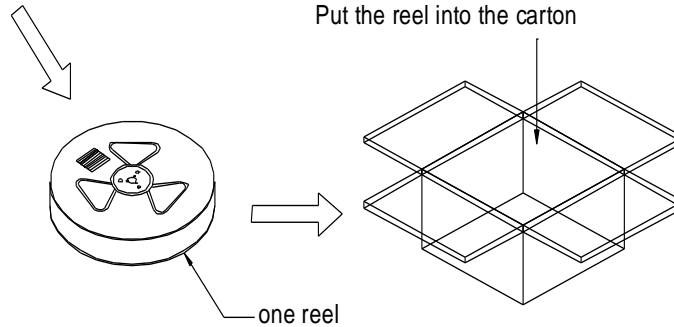
ITEM	DIM.
W	16.0±0.3
F	7.5±0.1
E	1.75±0.1
P <sub>0</sub>	4.0±0.1
P <sub>2</sub>	2.0±0.1
P	12.0±0.1



User direction of feed →



Put the reel into the carton


**b. Q'TY:**
900 pcs/reel

10 reel/carton

9000 pcs/carton

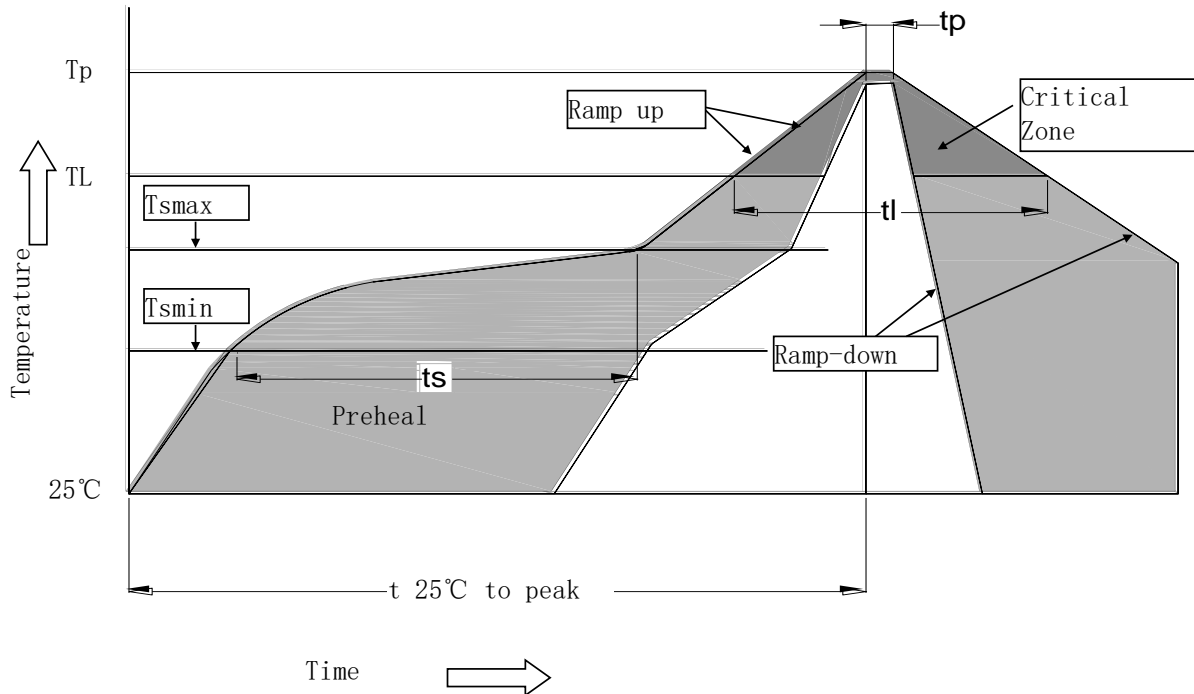
**c. LABEL:**

**REMARK:**

ABOVE PACKING IS FOR YOUR REFERENCE ONLY, WHICH MIGHT BE CHANGED WITHOUT NOTICE.

**MATERIAL LIST**
**Part No. CM633SG332N**
**E.BOM**

MATERIAL LIST					
NO.	ITEM	MATERIAL	RATING	SUPPLIER OF MATERIAL	UL
1	CASE	PM 9630	150°C	SUMITOMO BAKELITE CO LTD OR EQU.	E41429
2	CORE	Ferrite Mn-Zn	-----	YEAN SHING TECHNOLOGY (DONGGUAN) LIMITED	N/A
		Ferrite Mn-Zn	-----	ZHONGSHAN CITY TANZHOU TOWN CHUANGRICI ELECTRONIC FACTORY OR EQU.	N/A
3	COPPER WIRE	*xUEW180	180°C	ZHUHAI SUNTEK WIRE CO LTD OR QUU.	E234867
		UEWH/U@	180°C	PACIFIC ELECTRIC WIRE & CABLE CO., LTD. OR QUU.	E201757
4	VARNISH	V1630FS	150°C	ELANTAS ELECTRICAL INSULATION ELANTAS PDG INC OR EQU.	E213437
5	SOLDER	Sn99.3Cu0.7 LF-303	-----	ELECTROLOY METAL(SHENZHEN)CO.,LTD. OR EQU.	N/A

**RECOMMENDED SOLDERING PROFILE**
**Part No. CM633SG332N**
**1. RECOMMENDED REFLOW SOLDERING PROFILE:**


$$T_L = 217^\circ\text{C}$$

$$T_P = 265^\circ\text{C}$$

$$t_s = 60-180\text{s} \quad T_{s\text{ max}} = 200^\circ\text{C} \quad T_{s\text{ min}} = 150^\circ\text{C}$$

$$T_L = 60-150\text{s}$$

$$T_P = 20-40\text{s}$$

$$T_{25^\circ\text{C to peak}} = 8\text{ min max}$$

$$\text{Ramp up rate} = 3^\circ\text{C/s max}$$

$$\text{Ramp down rate} = 6^\circ\text{C/s max}$$

\*RoHS Compliant

\*Solder Paste SAC 305 Sn 96.5/Ag 3.0/Cu 0.5

\*Silkscreen thickness: 0.15mm Min

**2. MOISTURE SENSITIVE LEVEL:**

2.1. Level: 1

2.2. Shelf Life: Unlimited

2.3. Storage Condition:  $\cong 30^\circ\text{C}/85\% \text{ RH}$

## X-ON Electronics

Largest Supplier of Electrical and Electronic Components

*Click to view similar products for [Common Mode Chokes / Filters](#) category:*

*Click to view products by [Mentech](#) manufacturer:*

Other Similar products are found below :

[PE-64683](#) [ST6118T-R](#) [FE3X025-10-7NL](#) [T8114NLT](#) [TCM0806G-350-2P-T](#) [TCM0806G-650-2P-T](#) [IND-0110](#) [UAL21VR0802000](#)  
[UALSC023000000](#) [UALSC1020JH000](#) [UALSU10VD20010](#) [UALSU9VD070100](#) [36-00037](#) [CM7060M132R-10](#) [UALW21HS072450](#)  
[UALSU9H0208000](#) [UAL24VK06450CH](#) [PLT10HH501100PNB](#) [PLT10HH401100PNB](#) [PLT10HH1026R0PNB](#) [36-00029-01](#) [PE-67531](#)  
[TLH10UB](#) [113 0R5](#) [2752045447](#) [CM8663Z161B-10](#) [7351V](#) [CMF16-153131](#) [T8116NLT](#) [CMS2-10-R](#) [FE2X10-4-2NL](#) [T8003NLT](#) [CTX01-](#)  
[13663](#) [CTX66-19521-R](#) [RC212-0.5-10M](#) [RC112-0.4-15M](#) [RC212-0.6-6M8](#) [RC212-0.4-15M](#) [RC112-0.3-30M](#) [4534-3](#)  
[WTCF2012Z0M751PB](#) [PH9408.814NLT](#) [B82498B3221J000](#) [PAC6006.364NLT](#) [PAC6006.444NLT](#) [PAC6006.204NLT](#) [PH9407.204NLT](#)  
[PAC6006.264NLT](#) [PH9408.105NLT](#) [PH9408.494NLT](#) [PAC6006.104NLT](#)