



Merit Sensor is based in Salt Lake City, Utah



The **Merit Sensor Blood Pressure sensor** is ideal for low cost, high-volume, disposable medical applications including blood pressure monitoring. The BP Series sensor is temperature compensated, dielectric gel protected and can easily be installed into a customer's pressure device housing.

COMPANY: Merit Sensor is a leader in piezoresistive pressure sensing and partners with clients to create high performing solutions for a variety of applications and industries. Design, engineering and manufacturing of Merit Sensor products takes place in state-of-the-art wafer fabrication facility in Utah, US.

TECHNOLOGY: Merit Sensor utilizes a piezoresistive Wheatstone bridge with a chemically etched silicon diaphragm. All products are RoHS compliant.

CAPABILITIES: Merit Sensor designs, engineers, fabricates, dices, assembles, tests and sells and services die and packaged products from a state-of-the-art facility near Salt Lake City, Utah.

FEATURES

- Pressure range of -30 to 300 mmHg
- Excellent burst pressure
- Compliant with AAMI BP22 specifications
- Dielectric gel barrier
- Fully tested
- Small, disposable, low-cost package
- Temperature compensated
- Solid state piezoresistive sensor
- Top side pressure entry
- Easy to install into customer's disposable blood pressure device housing
- Compatible with automated assembly equipment
- Compatible in air, gas and liquid
- Shipped as 120UP snapstrates or on tape and reel
- Automated testing and assembly
- Custom options available
- Engineering, design, and manufacturing under one roof in Utah, USA.

APPLICATIONS

- Disposable blood pressure measurement
- Kidney dialysis machines
- Infusion pumps
- Surgical procedures



BP Series Standard Part Numbers

BP0001 BP0002

SPECIFICATIONS

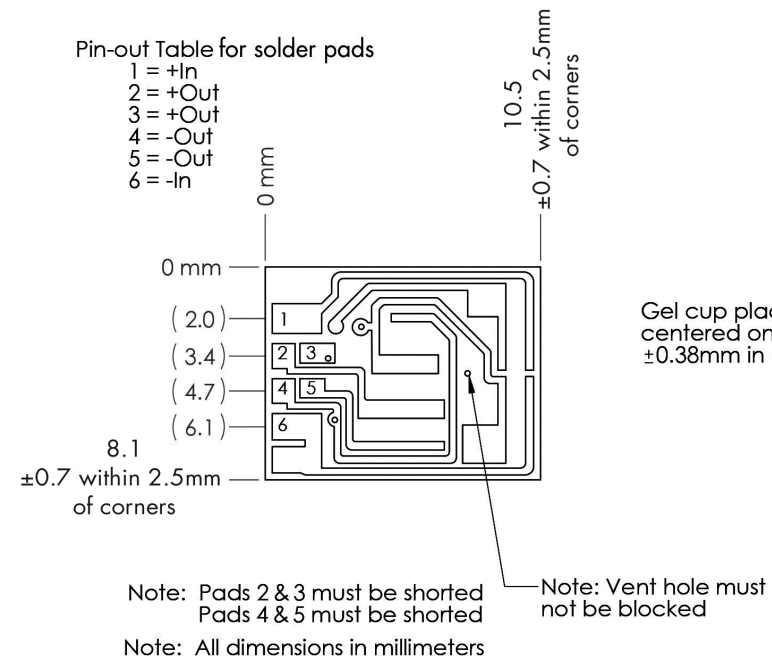
Parameter	Minimum	Typical	Maximum	Units	Notes
General					
Pressure Range	-30		300	mmHg	
Overpressure	125			PSI	Typical burst of +800 PSI
Electrical (22°C unless otherwise stated)					
Input Excitation (In)	1		10	VDC	Calibrated to 6 VDC
Risk Current			2	µA	5
Input Impedance	1,200		3000	Ω	
Output Impedance	285		315	Ω	
Dielectric Breakdown	10,000			VDC	5
Environmental					
Temp (Comp/Operating)	15		40	°C	
Temperature (Storage)	-25		70	°C	
Humidity	10		90	%	(Non Condensing)
Light Sensitivity			1	mmHg	5 - Per AAMI BP22
Operating Product Life	168			Hours	
Shelf Life	3			Years	
Sterilization (ETO)	3			Cycles	7
Mechanical					
Weight			2	Grams	
Volume Displacement			.02	mm ³	
Media Interface					Medical grade, dielectric gel
Gel Tube Interface Material					Polycarbonate
Performance 1					
Offset	-25	0	25	mmHg	Zero
Sensitivity	4.95	5	5.05	µV/V/mmHg	
Calibration	97.5	100	102.5	mmHg	2
Symmetry	-5		5	%	
Accuracy (-30 to 50 mmHg)	-1 mmHg - 1% of Reading	0	+1 mmHg + 1% of Reading		6 - Per AAMI BP22
Accuracy (50 to 300 mmHg)	-3	0	3	% of Reading	6 - Per AAMI BP22
Temp Coeff – Zero	-0.3	0	0.3	mmHg/°C	3, 5
Temp Coeff – Sensitivity	-0.1	0	0.1	%/°C	3, 5
Frequency Response	1,200			Hz	5
Phase Shift			5	degrees	5
Offset Drift			1	mmHg/8 hrs	4, 5

NOTES:

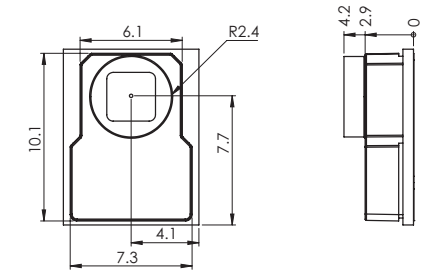
- Assumes 6 VDC, 22°C and after five second warm-up unless otherwise specified.
- Output of sensor with no pressure applied and a 150 KΩ resistor shorted across + IN to + OUT.
- Over a temperature range of 15°C to 40°C.
- Normalized offset/bridge voltage – 8 hours after 20 second warm-up.
- Previously qualified, not tested in production.
- Combined effect of sensitivity, repeatability, nonlinearity and hysteresis errors.
- Sterilization performed by customer.

DIMENSIONS (millimeters)

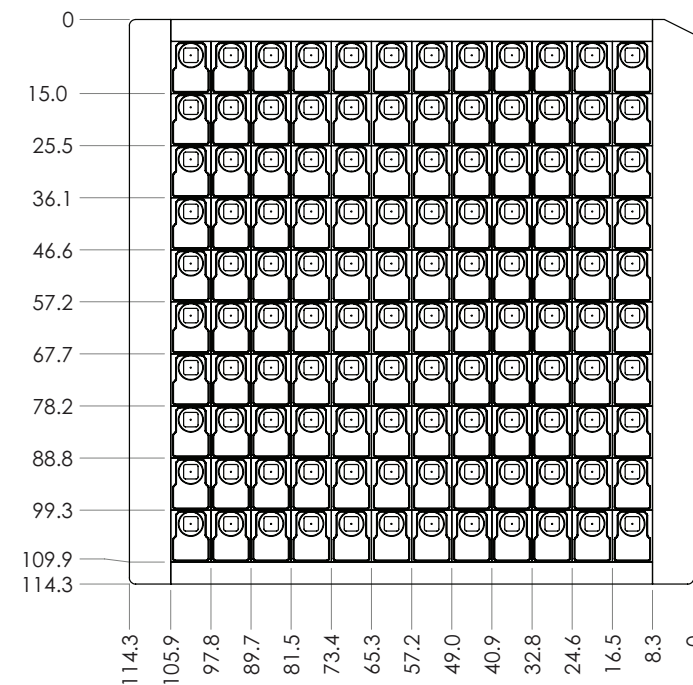
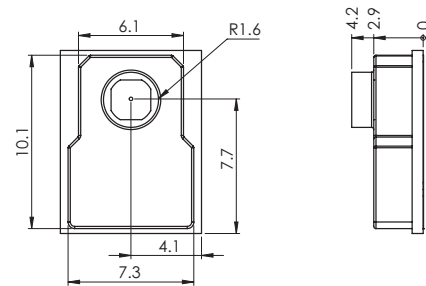
Standard Bond Pad Metallization = Ag/Pt



BP0001



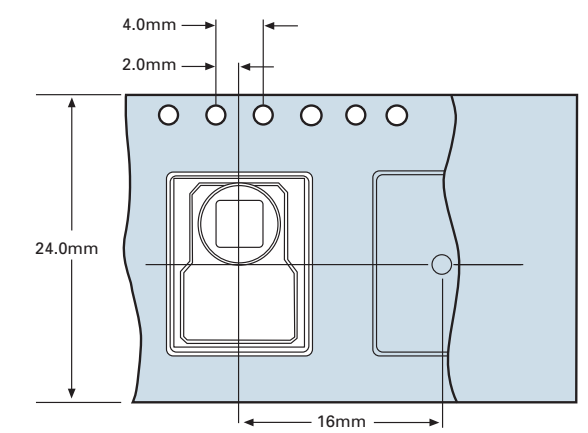
BP0002



NOTE:

- When sensors are shipped as 120UP snapstrates, the ceramic plates must be singulated by the customer.
- Each plate may include units that have failed electrical or visual test. Bad units are identified with a red dot on the backside of the unit.
- Plates are shipped in dust free anti-static containers to prevent damage to the gel.

PACKAGING AND SHIPPING



SPECIFICATIONS

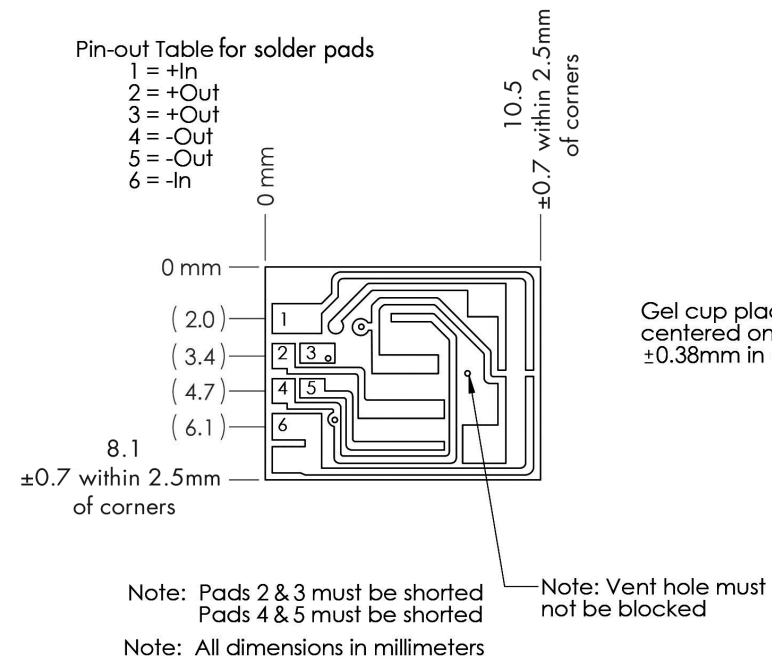
Parameter	Minimum	Typical	Maximum	Units	Notes
General					
Pressure Range	-30		300	mmHg	
Overpressure	125			PSI	Typical burst of +800 PSI
Electrical (22°C unless otherwise stated)					
Input Excitation (In)	1		10	VDC	Calibrated to 6 VDC
Risk Current			2	µA	5
Input Impedance	1,200		3000	Ω	
Output Impedance	285		315	Ω	
Dielectric Breakdown	10,000			VDC	5
Environmental					
Temp (Comp/Operating)	15		40	°C	
Temperature (Storage)	-25		70	°C	
Humidity	10		90	%	(Non Condensing)
Light Sensitivity			1	mmHg	5 - Per AAMI BP22
Operating Product Life	168			Hours	
Shelf Life	3			Years	
Sterilization (ETO)	3			Cycles	7
Mechanical					
Weight			2	Grams	
Volume Displacement			.02	mm ³	
Media Interface					Medical grade, dielectric gel
Gel Tube Interface Material					Polycarbonate
Performance 1					
Offset	-25	0	25	mmHg	Zero
Sensitivity	4.95	5	5.05	µV/V/mmHg	
Calibration	97.5	100	102.5	mmHg	2
Symmetry	-5		5	%	
Accuracy (-30 to 50 mmHg)	-1 mmHg - 1% of Reading	0	+1 mmHg + 1% of Reading		6 - Per AAMI BP22
Accuracy (50 to 300 mmHg)	-3	0	3	% of Reading	6 - Per AAMI BP22
Temp Coeff – Zero	-0.3	0	0.3	mmHg/°C	3, 5
Temp Coeff – Sensitivity	-0.1	0	0.1	%/°C	3, 5
Frequency Response	1,200			Hz	5
Phase Shift			5	degrees	5
Offset Drift			1	mmHg/8 hrs	4, 5

NOTES:

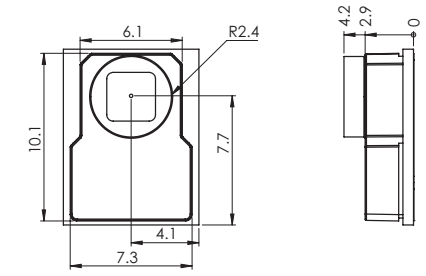
- Assumes 6 VDC, 22°C and after five second warm-up unless otherwise specified.
- Output of sensor with no pressure applied and a 150 KΩ resistor shorted across + IN to + OUT.
- Over a temperature range of 15°C to 40°C.
- Normalized offset/bridge voltage – 8 hours after 20 second warm-up.
- Previously qualified, not tested in production.
- Combined effect of sensitivity, repeatability, nonlinearity and hysteresis errors.
- Sterilization performed by customer.

DIMENSIONS (millimeters)

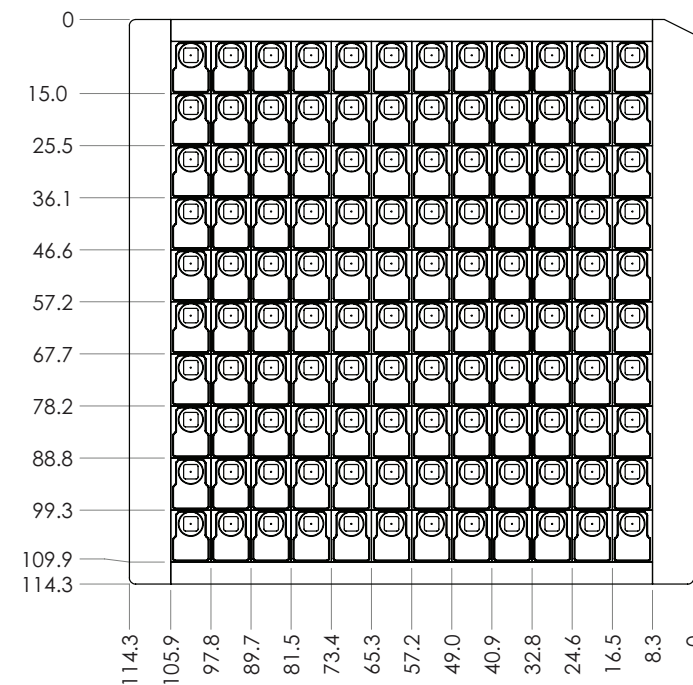
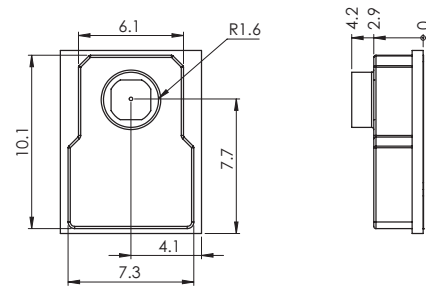
Standard Bond Pad Metallization = Ag/Pt



BP0001



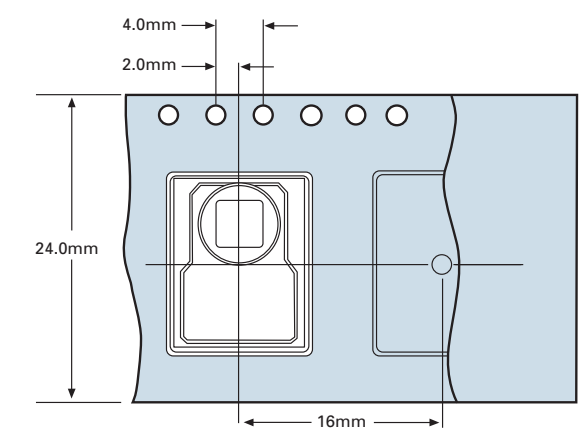
BP0002



NOTE:

- When sensors are shipped as 120UP snapstrates, the ceramic plates must be singulated by the customer.
- Each plate may include units that have failed electrical or visual test. Bad units are identified with a red dot on the backside of the unit.
- Plates are shipped in dust free anti-static containers to prevent damage to the gel.

PACKAGING AND SHIPPING





Merit Sensor is based in Salt Lake City, Utah



The Merit Sensor Blood Pressure sensor is ideal for low cost, high-volume, disposable medical applications including blood pressure monitoring. The BP Series sensor is temperature compensated, dielectric gel protected and can easily be installed into a customer's pressure device housing.

COMPANY: Merit Sensor is a leader in piezoresistive pressure sensing and partners with clients to create high performing solutions for a variety of applications and industries. Design, engineering and manufacturing of Merit Sensor products takes place in state-of-the-art wafer fabrication facility in Utah, US.

TECHNOLOGY: Merit Sensor utilizes a piezoresistive Wheatstone bridge with a chemically etched silicon diaphragm. All products are RoHS compliant.

CAPABILITIES: Merit Sensor designs, engineers, fabricates, dices, assembles, tests and sells and services die and packaged products from a state-of-the-art facility near Salt Lake City, Utah.

FEATURES

- Pressure range of -30 to 300 mmHg
- Excellent burst pressure
- Compliant with AAMI BP22 specifications
- Dielectric gel barrier
- Fully tested
- Small, disposable, low-cost package
- Temperature compensated
- Solid state piezoresistive sensor
- Top side pressure entry
- Easy to install into customer's disposable blood pressure device housing
- Compatible with automated assembly equipment
- Compatible in air, gas and liquid
- Shipped as 120UP snapstrates or on tape and reel
- Automated testing and assembly
- Custom options available
- Engineering, design, and manufacturing under one roof in Utah, USA.

APPLICATIONS

- Disposable blood pressure measurement
- Kidney dialysis machines
- Infusion pumps
- Surgical procedures



BP Series Standard Part Numbers

BP0001 BP0002

X-ON Electronics

Largest Supplier of Electrical and Electronic Components

Click to view similar products for [Board Mount Pressure Sensors](#) category:

Click to view products by [Merit Sensor](#) manufacturer:

Other Similar products are found below :

[6407-249V-17343P](#) [6407-250V-09273P](#) [80527-25.0H2-05](#) [80541-B00000150-01](#) [80541-B00000200-05](#) [80554-00700100-05](#) [80568-00300050-01](#) [93.631.4253.0](#) [93.731.4353.0](#) [93.932.4553.0](#) [136PC150G2](#) [136PC15A1](#) [142PC95AW71](#) [142PC05DW70](#) [15PSI-G-4V](#) [1805-01A-L0N-B](#) [26PCBKT](#) [26PCCFA6D26](#) [26PCCFS2G](#) [26PCCVA6D](#) [93.632.7353.0](#) [93.731.3653.0](#) [93.931.4853.0](#) [93.932.4853.0](#) [SCDA120-XSC05DC](#) [185PC30DH](#) [20INCH-G-MV-MINI](#) [26PCAFJ3G](#) [26PCCEP5G24](#) [26PCDFA3G](#) [26PCJEU5G19](#) [ASCX15AN-90](#) [TSCSAAN001PDUCV](#) [DCAL401DN](#) [DCAL401GN](#) [XZ202798SSC](#) [XZ203676HSC](#) [6407-249V-09343P](#) [6407-250V-17343P](#) [SP370-25-116-0](#) [81794-B00001200-01](#) [HSCDLNN100PGAA5](#) [82681-B00000100-01](#) [81618-B00000040-05](#) [SSCDJNN015PAAA5](#) [TSCDLNN100MDUCV](#) [TSCSAAN100PDUCV](#) [NBPDANN015PGUNV](#) [NBPLLNS150PGUNV](#) [142PC100D](#)