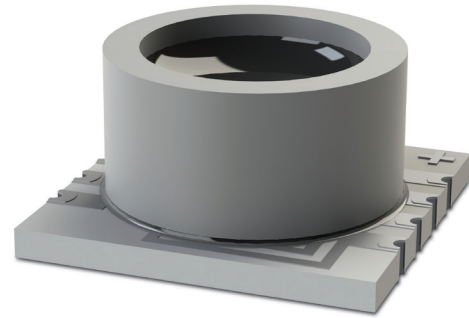


The **SMD Series** is a surface-mountable pressure monitoring device suitable for low to medium pressure applications.

COMPANY: Merit Sensor is a leader in piezoresistive pressure sensing and partners with clients to create high performing solutions for a variety of applications and industries.

SENTIUM: Merit Sensor products incorporate a proprietary Sentium® technology developed to provide a best-in-class operating temperature range (-40°C to 85°C) and superior stability.

TECHNOLOGY: Merit Sensor utilizes a piezoresistive Wheatstone bridge in a design that anodically bonds glass to a chemically etched silicon diaphragm. All products are RoHS compliant.



CAPABILITIES: Merit Sensor designs, engineers, fabricates, dices, assembles and tests all products from a state-of-the-art facility near Salt Lake City, Utah.

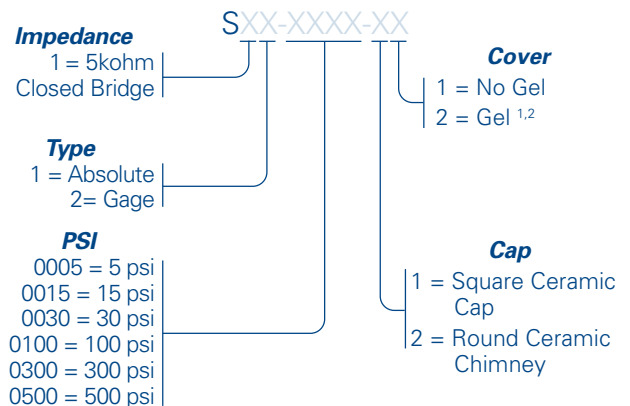
FEATURES

Range	5 to 500 psi (0.34 to 34.5 bar; 34.5 to 3,447 KPa)
Pressure	Absolute, gage, differential, vacuum
Media	Clean, dry air and non-corrosive gases (No Gel) Liquids compatible with silicone (Gel option)
Packaging	Tape & Reel
Flexibility	Sensitivity, bridge, type, etc.

BENEFITS

Performance	Enjoy best-in-class performance due to Merit's proprietary Sentium technology.
Cost	Save money over time with high-performing MEMS
Security	Feel confident doing business with an experienced company backed by a solid parent company (NASDAQ: MMSI)
Speed	Get to market quickly with creative and flexible solutions.
Service	Experience prompt, personal, and professional support.

SMD Series Part Number Configurator



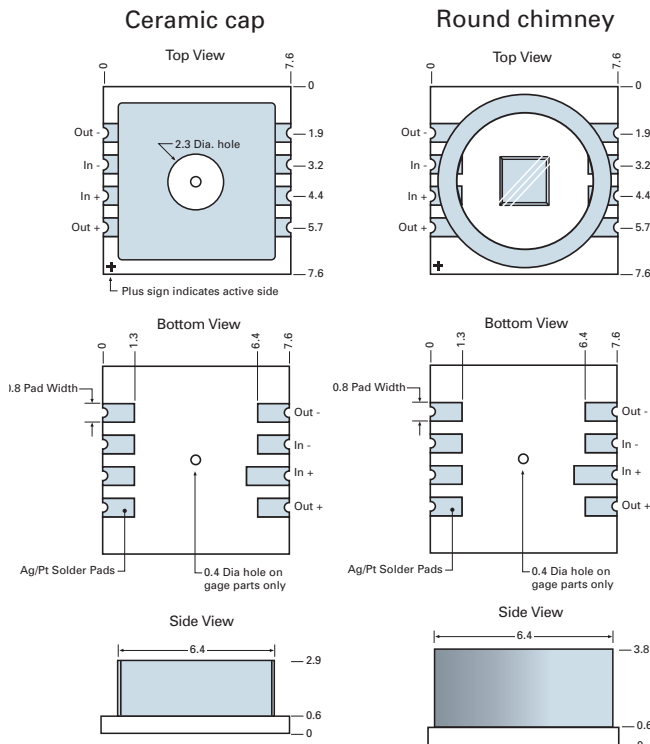
Example: S11-0015-11 offers 5kohm Impedance, Closed Bridge, Absolute Constraint, 15 psi, Square Ceramic Cap, No Gel

¹ Not available with cap. ² Not available above 100 psi.

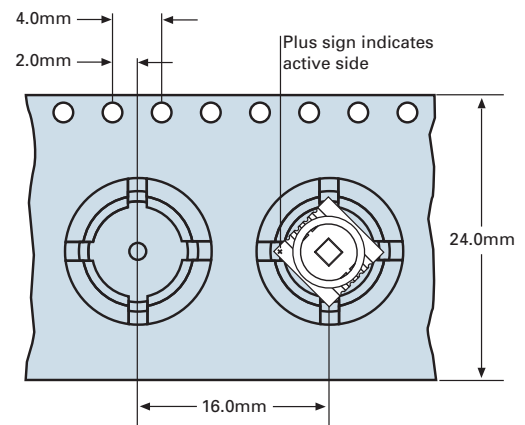
SPECIFICATIONS

Parameter	Minimum	Typical	Maximum	Units	Notes
Electrical & Environmental					
Excitation (In)		5	15	V	Maximum: 3 mA
Impedance	4000	5000	6000	Ω	
Operating Temperature	-40		85	$^{\circ}\text{C}$	Sentium® technology
Storage Temperature	-55		160	$^{\circ}\text{C}$	
Performance					
Offset	-10	0	10	mV/V	Zero pressure; gage only; @25°C
Non-linearity	-0.2	0	0.2	% FSO	Best Fit Straight Line; @25°C
Pressure Hysteresis	-0.1	0	0.1	% FSO	@25°C
Temp Coeff – Zero	-25	0	25	$\mu\text{V/V}/^{\circ}\text{C}$	-40°C to 85°C
Temp Coeff – Resistance	2300	2800	3300	PPM/ $^{\circ}\text{C}$	-40°C to 85°C
Temp Coeff – Sensitivity	-1500	-2200	-2500	PPM/ $^{\circ}\text{C}$	-40°C to 85°C
Thermal Hysteresis	-0.2	0	0.2	% FSO	Zero pressure
Burst Pressure	2X				Room Temperature
Full-Scale Output (@ 5 volts Excitation)					
5 psi (0.34 bar; 34.5 KPa)	60	75	90	mV	Closed Bridge only
15 psi (1 bar; 103 KPa)	125	150	175	mV	
30 psi (2.1 bar; 207 KPa)	120	150	180	mV	
100 psi (6.9 bar; 689 KPa)	120	150	180	mV	
300 psi (20.7 bar; 2068 KPa)	120	150	180	mV	
500 psi (34.5 bar; 3447 KPa)	140	175	210	mV	

DIMENSIONS AND ELECTRICAL (millimeters)



PACKAGING AND SHIPPING (millimeters)



Absolute and Gage available

X-ON Electronics

Largest Supplier of Electrical and Electronic Components

Click to view similar products for [Board Mount Pressure Sensors](#) category:

Click to view products by [Merit Sensor](#) manufacturer:

Other Similar products are found below :

[6407-249V-17343P](#) [6407-250V-09273P](#) [80527-25.0H2-05](#) [80541-B00000150-01](#) [80541-B00000200-05](#) [80554-00700100-05](#) [80568-00300050-01](#) [93.631.4253.0](#) [93.731.4353.0](#) [93.932.4553.0](#) [136PC150G2](#) [136PC15A1](#) [142PC95AW71](#) [142PC05DW70](#) [15PSI-G-4V](#) [1805-01A-L0N-B](#) [26PCBKT](#) [26PCCFA6D26](#) [26PCCFS2G](#) [26PCCVA6D](#) [93.632.7353.0](#) [93.731.3653.0](#) [93.931.4853.0](#) [93.932.4853.0](#) [SCDA120-XSC05DC](#) [185PC30DH](#) [20INCH-G-MV-MINI](#) [26PCAFJ3G](#) [26PCCEP5G24](#) [26PCDFA3G](#) [26PCJEU5G19](#) [ASCX15AN-90](#) [TSCSAAN001PDUCV](#) [DCAL401DN](#) [DCAL401GN](#) [XZ202798SSC](#) [XZ203676HSC](#) [6407-249V-09343P](#) [6407-250V-17343P](#) [SP370-25-116-0](#) [81794-B00001200-01](#) [HSCDLNN100PGAA5](#) [82681-B00000100-01](#) [81618-B00000040-05](#) [SSCDJNN015PAAA5](#) [TSCDLNN100MDUCV](#) [TSCSAAN100PDUCV](#) [NBPDANN015PGUNV](#) [NBPLLNS150PGUNV](#) [142PC100D](#)