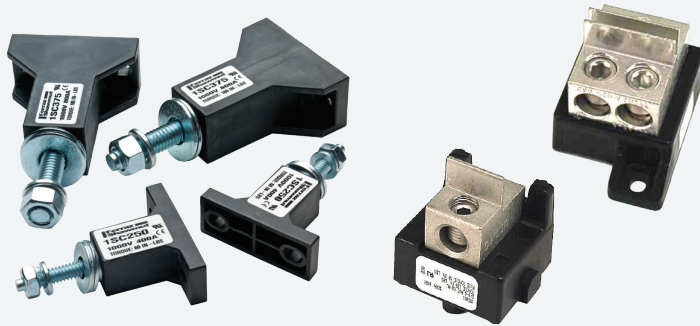


1SC/1MSC

Modular Semiconductor Fuse Blocks

FUSE BLOCKS & HOLDERS



Mersen 1SC and 1MSC semiconductor fuse blocks feature modular mounting that offers greater flexibility in adjusting to various fuse lengths. Both stud type and integral box connector versions are offered to allow for user preference of wire terminations. The integral box connector versions also provide for greater heat dissipation. Mounting hardware is supplied with the blocks.

RATINGS:

1SC

- **Volts:**
1000VAC/DC (SCCR: 200kA)
1500VAC/DC (SCCR: 100kA)
- **Amps:** 800A Maximum

1MSC

- **Volts:** 600V
- **Amps:** 600A Maximum
- **SCCR:** 200kA

APPROVALS:

- UL Recognized Component
File for 1SC: E52283
File for 1MSC: E35113

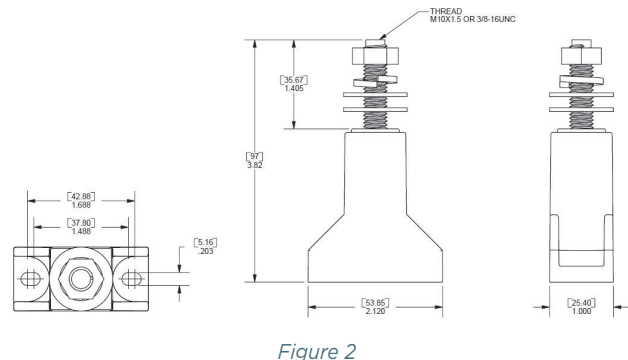
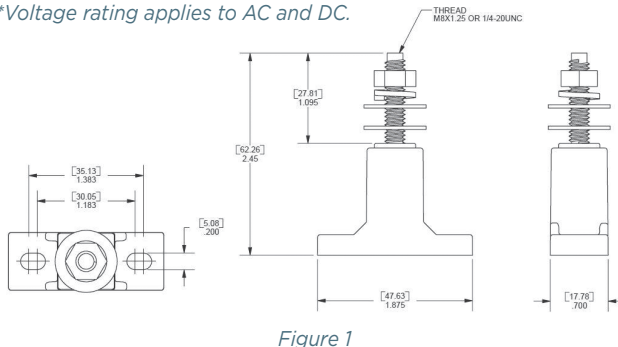


FB

DIMENSIONS - 1SC

| Catalog No. | Maximum Voltage Rating* | Ampere Rating | Pkg. | UR | Connector | | Hardware | | Tightening Torque (lb.-in.) | | *Fig. |
|-------------|-------------------------|---------------|------|-----|-----------|------------|----------|--------|-----------------------------|----------|-------|
| | | | | | Type | Wire Range | Bolt | Washer | Fuse | Mounting | |
| 1SC250 | 1500 | 400 | Pair | Yes | 1/4" Stud | — | — | — | 60 | 25 | 1 |
| 1SC375 | 1500 | 800 | Pair | Yes | 3/8" Stud | — | — | — | 190 | 25 | 2 |
| 1SCM8 | 1500 | 400 | Pair | Yes | M8 Stud | — | — | — | 60 | 25 | 1 |
| 1SCM10 | 1500 | 800 | Pair | Yes | M10 Stud | — | — | — | 190 | 25 | 2 |

For 1SC, order quantity 1 to receive 1 pair.
*Voltage rating applies to AC and DC.



DIMENSIONS - 1MSC

| Catalog No. | Maximum Voltage Rating* | Ampere Rating | Pkg. | UR | Connector | | Hardware | | Tightning Torque (lb.-in.) | | | *Fig. |
|-------------|-------------------------|---------------|------|-----|-----------|-------------------------|----------|--------|----------------------------|------|----------|-------|
| | | | | | Type | Wire Range | Bolt | Washer | Cable | Fuse | Mounting | |
| 1MSC101 | 600 | 100 | Each | Yes | Al Box | Al/Cu 2/0 - #6 | 1/4" | 0.655" | 120 | 70 | 25 | 3 |
| 1MSC102 | 600 | 400 | Each | Yes | Al Box | Al/Cu (2) 250kcmil - #6 | 1/4" | 0.655" | 275 | 120 | 25 | 4 |
| 1MSC103 | 600 | 400 | Each | Yes | Al Box | Al/Cu (2) 250kcmil - #6 | 3/8" | 0.900" | 275 | 120 | 25 | 5 |
| 1MSC104 | 600 | 600 | Each | Yes | Al Box | Al/Cu (2) 500kcmil - #6 | 3/8" | 0.900" | 375 | 170 | 25 | 6 |

For 1MSC, order quantity 2 to receive 1 pair.

*Voltage rating applies to AC and DC.

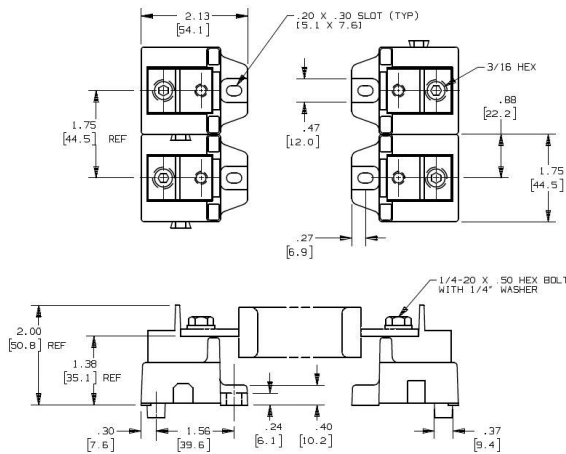


Figure 3

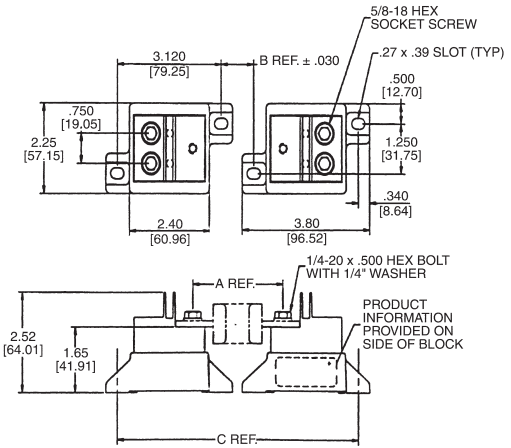


Figure 4

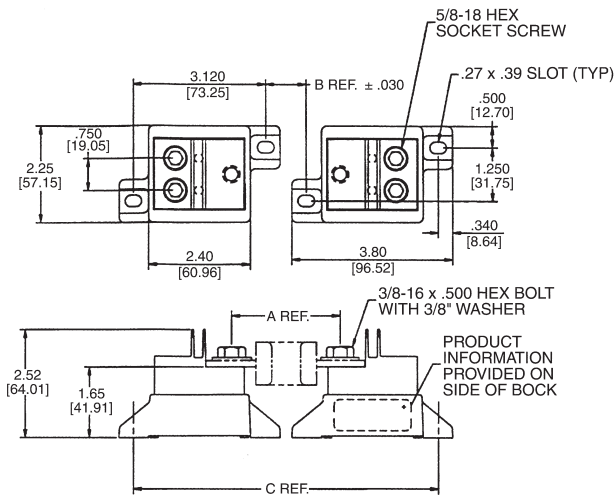


Figure 5

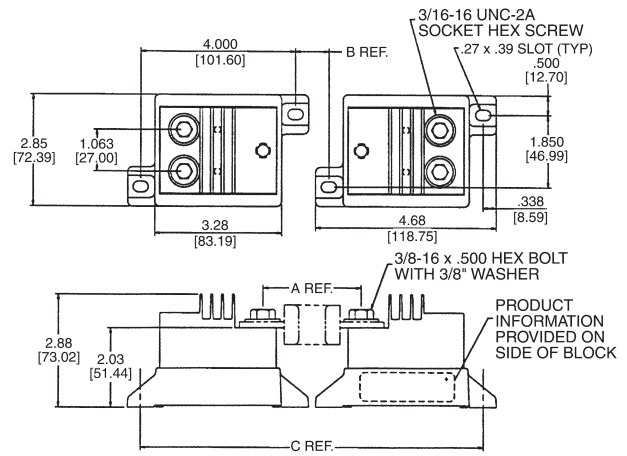


Figure 6

FB

X-ON Electronics

Largest Supplier of Electrical and Electronic Components

Click to view similar products for [Fuse Holder](#) category:

Click to view products by [Mersen](#) manufacturer:

Other Similar products are found below :

[0031.1351.01](#) [6R30A1B](#) [6SC30A2IC](#) [F30A3S](#) [F600A3B](#) [80910030](#) [80910080](#) [9-3557-GP REV A](#) [HFH-1](#) [RF30A1S](#) [RF30A2B](#) [RF30A3SP](#)
[15602-04-08-21](#) [HMG-241](#) [HTJ-LES-FUSE](#) [2193](#) [RTMF-SC](#) [2602](#) [2650](#) [178.000100](#) [178.000200](#) [F60A2SQ](#) [T30A2B](#) [G4PB8](#) [2660](#) [HKP-](#)
[CCHH](#) [R6F30A2S](#) [341001A](#) [345621A](#) [348670](#) [CVRMCC](#) [4202](#) [4537](#) [HPC](#) [55900008011](#) [32NNL](#) [345602-010](#) [345603-010](#) [345612](#)
[345903A](#) [3571](#) [3578](#) [3833-5](#) [3833-7](#) [3992](#) [4393](#) [4409](#) [4522](#) [4574](#) [02800031Z](#)