

Midget & Class CC

600 Volt Fuse Blocks

FUSE BLOCKS & HOLDERS

600 VOLT MIDGET AND CLASS CC FUSE BLOCKS







Mersen midget fuse blocks accommodate all 30 ampere 1-1/2" x 13/32" midget fuses. Class CC fuse blocks accommodate all 30 ampere Class CC fuses. A choice of box, screw, or pressure-plate connectors fit a wide range of stranded or solid copper wire. Insulators are glass-filled polycarbonate (GFPC) with verified dielectric strength in excess of 2500V. Fuse blocks feature a unique adder block which can be snapped onto 1-, 2- or 3-pole blocks to form multi-pole segmented blocks of as many poles as desired. All fuse clips are made of high conductivity tin-plated copper alloy.

RECOMMENDED FUSE USAGE:

- **Midget Fuse Block** use with ATQ, ATM, A6Y-2B, A25Z-2, TRM, OTM, A15QS-2, GFN, GGU, A60Q-2, DCT
- **Class CC Fuse Block** use with ATDR, ATMR, ATQR

CLIP & CONNECTOR TYPES

30A MIDGET/CC			
COPPER BOX CONNECTOR	SCREW WITH DOUBLE QUICK-CONNECTS	PRESSURE PLATE WITH DOUBLE QUICK-CONNECTS	PRESSURE PLATE WITH DOUBLE QUICK-CONNECTS (CLASS CC REJECTION END)
			

RATINGS:

Midget Block

- **Volts:** 600VAC / DC
- **Amps:** 30A Maximum
- **SCCR:** 100kA (depending on fuse I.R.); 10kA (when using quick connect terminal)

Class CC Block

- **Volts:** 600VAC / DC
- **Amps:** 30A Maximum
- **SCCR:** 200kA, 10kA (when using quick connect terminal)

Temperature/flammability GFPC insulators rated 125°C, 94V-0 flammability.

APPROVALS:

All fuse blocks meet the requirements of UL 4248

Midget Block

- UL recognized component guide IZLT2, File E52283
- CSA certified class 6225, File 32169

Class CC Block

- UL listed, guide IZLT, File E52283
- CSA certified class 6225, File 32169



FB

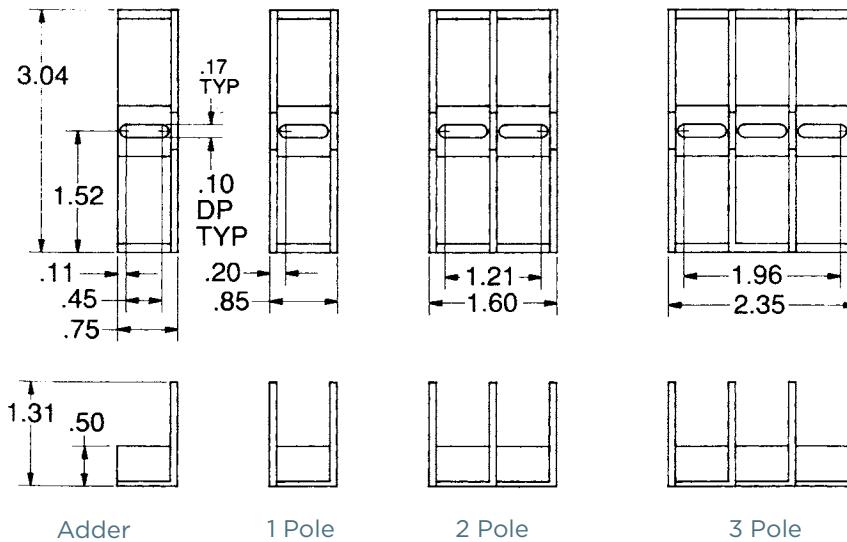
600 VOLT, 30A MIDGET AND CLASS CC FUSE BLOCKS

Connector		Poles*	Catalog No.				Torque In - lb
Type	Wire Range		Midget	Listing	Class CC	Listing	
Screw w/ double quick connects at both ends	Cu #10-14	ADDER	30310	UL Rec. & CSA	30310R	UL & CSA	20
		1	30311		30311R		
		2	30312		30312R		
		3	30313		30313R		
		4	30314		30314R		
Pressure plate (sems) w/double quick connects at both ends	Cu #10-14	ADDER	30320	UL Rec. & CSA	30320R	UL & CSA	20
		1	30321		30321R		
		2	30322		30322R		
		3	30323		30323R		
		4	30324		30324R		
Copper box	Cu #6-14	ADDER	30350	UL Rec. & CSA	30350R	UL & CSA	35
		1	30351		30351R		
		2	30352		30352R		
		3	30353		30353R		
		4	30354		30354R		

Note: To convert Midget or Class CC adder pole to single pole, use end barrier #U09301.
 * Available in any number of poles. Replace last digit in Catalog Number with number of poles needed.
 Example: 303112 is a 12-pole screw/double QC connector Midget Fuse Block.
 Total width of N poles = (N x .76) + .08 inches. 12 poles = (12 x .76") + .08" = 9.20".

Recommended mounting screws for all Midget and Class CC fuse blocks: #8 (.164" dia.)

DIMENSIONS



X-ON Electronics

Largest Supplier of Electrical and Electronic Components

Click to view similar products for [Fuse Holder](#) category:

Click to view products by [Mersen](#) manufacturer:

Other Similar products are found below :

[0031.1351.01](#) [6R30A1B](#) [6SC30A2IC](#) [F30A3S](#) [F600A3B](#) [80910030](#) [80910080](#) [9-3557-GP REV A](#) [HFH-1](#) [RF30A1S](#) [RF30A2B](#) [RF30A3SP](#)
[15602-04-08-21](#) [HMG-241](#) [HTJ-LES-FUSE](#) [2193](#) [RTMF-SC](#) [2602](#) [2650](#) [178.000100](#) [178.000200](#) [F60A2SQ](#) [T30A2B](#) [G4PB8](#) [2660](#) [HKP-](#)
[CCHH](#) [R6F30A2S](#) [341001A](#) [345621A](#) [348670](#) [CVRMCC](#) [4202](#) [4537](#) [HPC](#) [55900008011](#) [32NNL](#) [345602-010](#) [345603-010](#) [345612](#)
[345903A](#) [3571](#) [3578](#) [3833-5](#) [3833-7](#) [3992](#) [4393](#) [4409](#) [4522](#) [4574](#) [02800031Z](#)