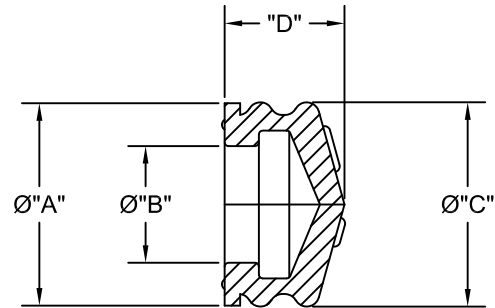



THIS DRAWING CONTAINS PROPRIETARY INFORMATION BELONGING TO TECHCON SYSTEMS, INC. THIS INFORMATION CANNOT BE USED OR REPRODUCED WITHOUT THE PRIOR WRITTEN PERMISSION OF AN OFFICER OF TECHCON SYSTEMS, INC.

REV	REVISION HISTORY	DATE	DWN
B	CUST. SPEC. DRAWING	06-09-11	DN



OEM PART NO.	OKI PART NO.	SIZE	DIMENSIONS			
			"A"	"B"	"C"	"D"
7030002MPK	903-PRD	3cc	0.35	0.18	0.37	0.35
7050002MPK	905-PRD	5cc	0.52	0.30	0.53	0.31
7100002MPK	910-PRD	10cc	0.65	0.39	0.65	0.35
7300002MPK	930-PRD	30cc	0.88	0.53	0.90	0.43

ALL DIMENSIONS ARE FOR REFERENCE ONLY.

MATERIAL RUBBER	UNLESS OTHERWISE SPECIFIED DIMENSIONS ARE IN INCHES GENERAL TOLERANCES ANGLES : ± .5° .X : ± .030 .XX : ± .010 .XXX : ± .005 SURFACE FINISH: 63/√ BREAK ALL EDGES AND BURRS TOLERANCES APPLY AFTER FINISH DO NOT SCALE DRAWING	 12151 Monarch Street Garden Grove, CA 92841 Phone: (714) 799-9910 Fax: (714) 799-9533	TITLE MANUAL PISTONS FOR 700 SYRINGE			
FINISH BLACK			DRAWN BY DN	DATE 10-14-10	DWG NO M7XXX2MPK	REV B
		APPR. BY	SIZE A	SALE P/N	NEXT ASSY	SHEET 1 OF 1
			SCALE NONE			

X-ON Electronics

Largest Supplier of Electrical and Electronic Components

Click to view similar products for [Soldering Irons](#) category:

Click to view products by [Metcal](#) manufacturer:

Other Similar products are found below :

[0052918099](#) [0058759725](#) [918100-TE](#) [PTTC-802](#) [SFV-DRK30AR](#) [SMTC-0167](#) [SMTC-1121](#) [SMTC-1169-PK](#) [SMTC-588](#) [SMTC-8170](#) [AC-CK1](#) [AC-CK2](#) [SSC-601A](#) [SSC-625A](#) [SSC-626A](#) [SSC-638A](#) [SSC-726A](#) [FG-BVX](#) [STTC-042](#) [STTC-114](#) [STTC-838P](#) [STV-CH24A](#) [SCP-CH25](#) [SMTC-101](#) [SMTC-160-PK](#) [SMTC-1BL250](#) [SSC-645A](#) [SSC-671A](#) [SSC-672A](#) [SSC-742A](#) [SSC-745A](#) [SSC-746A](#) [SSC-770A](#) [SSC-772A](#) [STTC-105](#) [STTC-120](#) [STTC-513](#) [STTC-545](#) [STTC-547](#) [1-91362-0](#) [T0054487399](#) [T0054465699](#) [STTC-820](#) [SCV-CH30AR](#) [T0054440699](#) [PTTC-801B](#) [STTC-845P](#) [RPS-1](#) [PHT-754487F](#) [STP-BVL10](#)