

METTEC DESK CASES 85 MM HIGH

DESK CASES

Ideal size for electronics equipment with front panel LCD modules, LED's, push buttons, membrane key-boards etc.

ASSEMBLY

Case design assembled by eight M4 screws. The side extrusions are located by a recess in the rear of the bezel and fixed with screws. At the rear of version A/AH is an extruded rear panel. The rear panel (Version B/BH) is assembled with four additional screws. The base and top panels are captured by horizontal slots in the case. All cases are supplied assembled and include four non-slip self-adhesive feet. Base panels are pre-punched for the case feet (accessory, see page 17). An M4 earth stud is fitted to the base panels.

VERSION A

With extruded rear panel.

VERSION AH

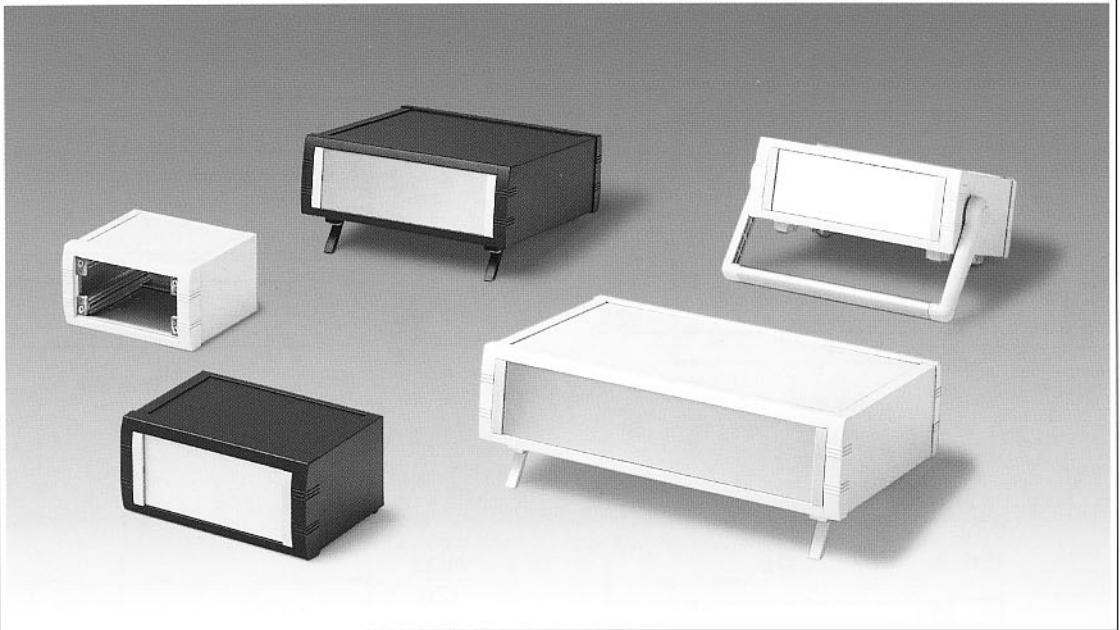
Version A with handle bar.

VERSION B

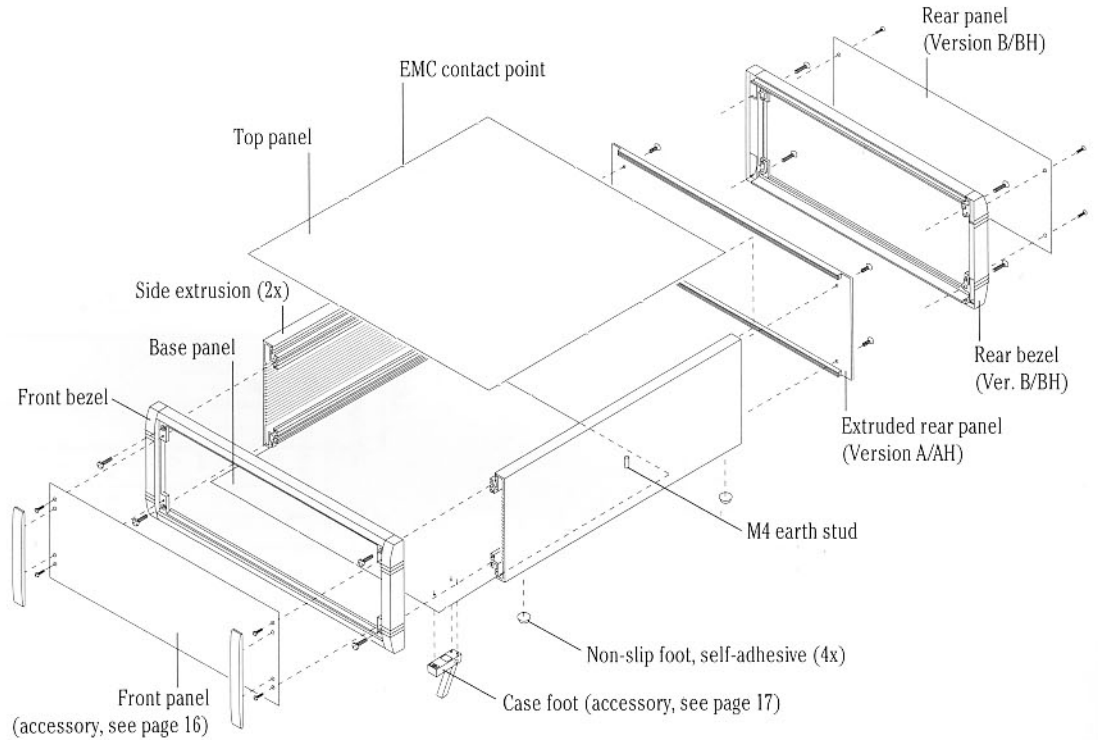
With rear bezel and rear panel.

VERSION BH

Version B with handle bar.



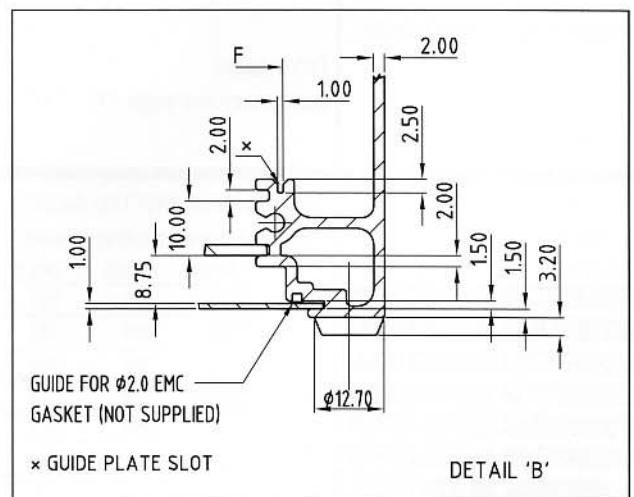
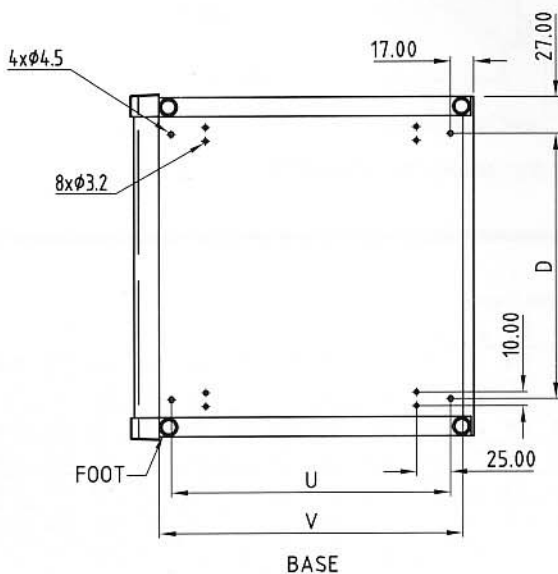
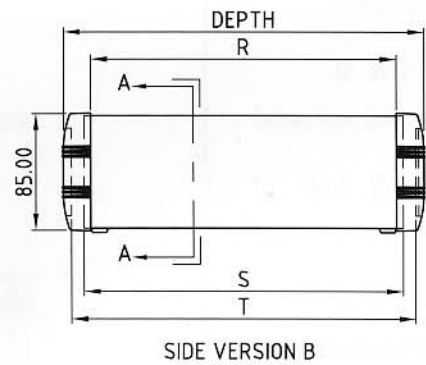
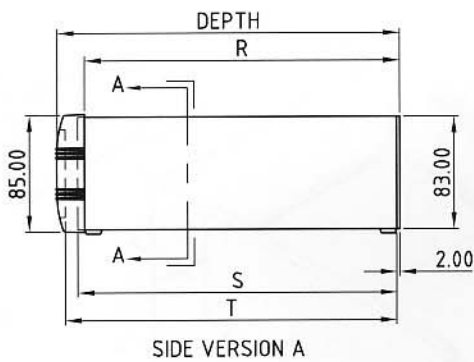
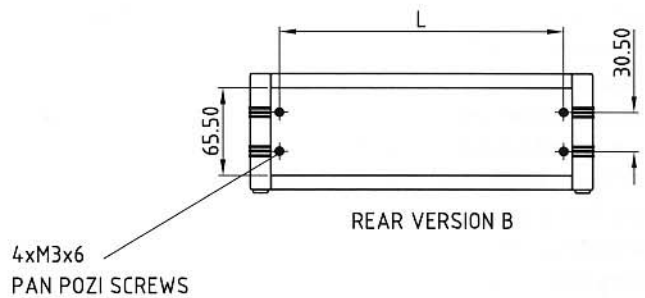
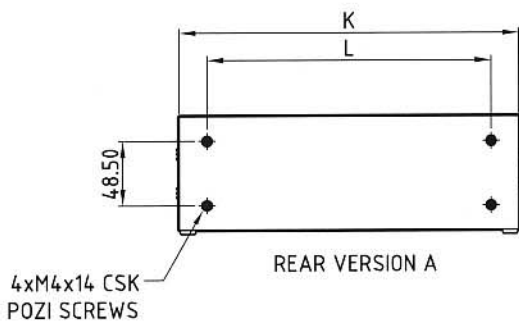
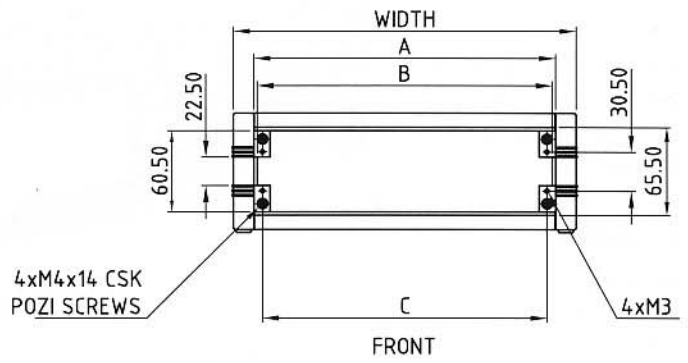
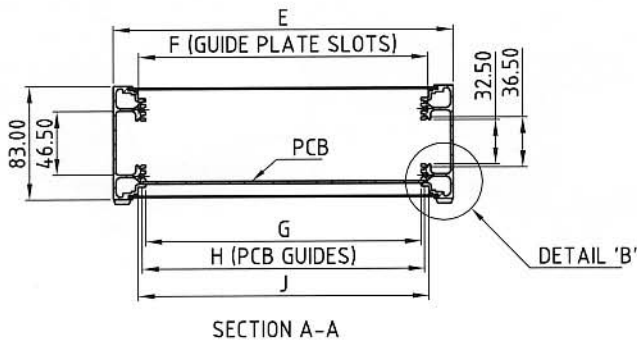
SUPPLY



Part No.		METTEC 85 MM HIGH																			
anthracite	off-white	Version	Outside dimensions in mm			Inside dimensions in mm															
			Height	Width	Depth	a	b	c	d	e	f	g	h	j	k	l	r	s	t	u	v
M 57 16 104	M 57 16 107	A	85	160	130	130	125	118	104	158	121	111	116	130	158	118	110	113	122	84	102
M 57 23 104	M 57 23 107	A	85	230	180	200	195	188	174	228	191	181	186	200	228	188	160	163	172	134	152
M 57 23 124	M 57 23 127	AH	85	230	180	200	195	188	174	228	191	181	186	200	228	188	160	163	172	134	152
M 57 23 114	M 57 23 117	B	85	230	193	200	195	188	174	228	191	181	186	200	-	188	153	163	181	134	-
M 57 23 134	M 57 23 137	BH	85	230	193	200	195	188	174	228	191	181	186	200	-	188	153	163	181	134	-
M 57 25 104	M 57 25 107	A	85	250	250	220	215	208	194	248	211	201	206	220	248	208	230	233	242	204	222
M 57 25 114	M 57 25 117	B	85	250	263	220	215	208	194	248	211	201	206	220	-	208	223	233	251	204	-
M 57 35 104	M 57 35 107	A	85	350	250	320	315	308	294	348	311	301	306	320	348	308	230	233	242	204	222
M 57 35 114	M 57 35 117	B	85	350	263	320	315	308	294	348	311	301	306	320	-	308	223	233	251	204	-

85MM METTEC CASES

Dimensional details



X-ON Electronics

Largest Supplier of Electrical and Electronic Components

Click to view similar products for [metcase](#) manufacturer:

Other Similar products are found below :

[M5501110](#) [M5623105F](#) [M5513110](#) [M5625305F](#) [M5725207](#) [M6019305](#) [M5506110](#) [M5700615](#) [M5700621](#) [M5505119](#)