

FEATURES

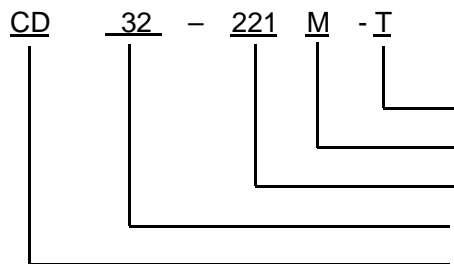
- Excellent solder ability and high heat resistance.
- Excellent terminal strength construction.
- Surface mount inductor with high current rating.
- Packed in embossed carrier tape and can be used by automatic mounting machine.



APPLICATIONS

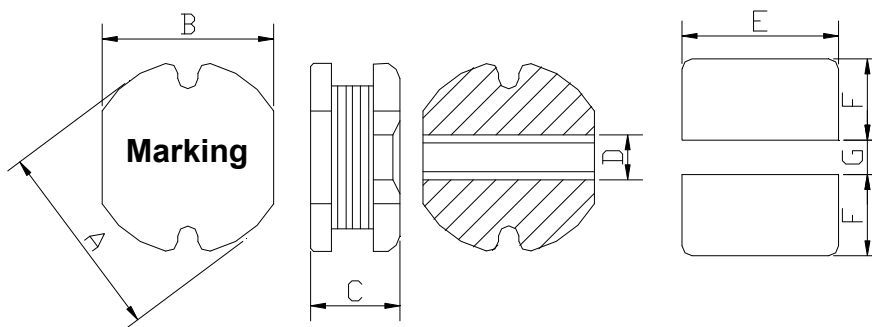
- LCD driving circuits(DC-DC converters) such as notebook, personal computers ,portable terminal equipment ,game units

PRODUCT IDENTIFICATION



Packaging style (T: Taping; B: bulk)
 Inductance Tolerance (K:10% ; M:20% ; N:30%)
 Inductance Value (150:15uH; 100: 10uH; 101:100uH)
 Product dimensions
 Series name

SHAPES AND DIMENSIONS



Series	Dimensions(mm)						
	A	B	C	D	E	F	G
CD32	3.5±0.3	3.0±0.3	2.1±0.3	1.0	3.5	1.3	1.0
CD43	4.5±0.3	4.0±0.3	3.2±0.3	1.4	4.5	1.8	1.5
CD53	5.8±0.3	5.2±0.3	3.2±0.3	1.5	5.8	2.2	1.7
CD54	5.8±0.3	5.2±0.3	4.5±0.3	1.6	5.8	2.2	1.7
CD75	7.8±0.3	7.0±0.3	5.0±0.3	2.4	7.5	3.0	2.0
CD104F	10.0±0.3	9.0±0.3	4.0±0.3	2.9	9.5	3.75	2.5
CD105F	10.0±0.3	9.0±0.3	5.4±0.3	2.9	9.5	3.75	2.5

Note: Beyond the above specification also could satisfy the special requirement

ELECTRICAL CHARACTERISTICS

- Rated Current: Inductance drop = 10% typ. at rated I_{sat} & $\Delta T=40^{\circ}C$ rise typ. at I_{rms}

Part Number	L(uH)	Test Freq.(KHz)	DCR max.(Ω)	Rated Current(A)
CD32-1R0MT	1.0	100	0.045	2.20
CD32-1R5MT	1.5	100	0.055	2.00
CD32-2R2MT	2.2	100	0.085	1.60
CD32-2R7MT	3.3	100	0.100	1.40
CD32-3R3MT	3.9	100	0.120	1.04
CD32-4R7MT	4.7	100	0.135	1.00
CD32-5R6MT	5.6	100	0.145	0.95
CD32-6R8MT	6.8	100	0.200	0.95
CD32-8R2MT	8.2	100	0.250	0.92
CD32-100MT	10	100	0.320	0.90
CD32-120MT	12	100	0.350	0.85
CD32-150MT	15	100	0.460	0.75
CD32-180MT	18	100	0.520	0.70
CD32-220MT	22	100	0.650	0.60
CD32-270MT	27	100	0.750	0.55
CD32-330MT	33	100	0.920	0.50
CD32-390MT	39	100	1.120	0.48
CD32-470MT	47	100	1.270	0.45
CD32-560MT	56	100	1.500	0.30
CD32-680MT	68	100	2.000	0.26
CD32-820MT	82	100	2.150	0.23
CD32-101KT	100	1	2.800	0.20
CD32-121KT	120	1	3.400	0.18
CD32-151KT	150	1	4.200	0.16
CD32-181KT	180	1	4.500	0.15
CD32-221KT	220	1	5.700	0.14

Note: Beyond the above specification also could satisfy the special requirement

Part Number	L(uH)	Test Freq.(KHz)	DCR max.(Ω)	Rated Current(A)
CD43-1R0MT	1.0	100	0.045	2.56
CD43-1R5MT	1.5	100	0.056	2.52
CD43-1R8MT	1.8	100	0.063	1.95
CD43-2R2MT	2.2	100	0.071	1.75
CD43-2R7MT	2.7	100	0.078	1.58
CD43-3R3MT	3.3	100	0.086	1.44
CD43-3R9MT	3.9	100	0.093	1.33
CD43-4R7MT	4.7	100	0.108	1.15
CD43-5R6MT	5.6	100	0.125	0.99
CD43-6R8MT	6.8	100	0.131	0.95
CD43-8R2MT	8.2	100	0.146	0.84
CD43-100MT	10	100	0.182	1.04
CD43-120MT	12	100	0.210	0.97
CD43-150MT	15	100	0.235	0.85
CD43-180MT	18	100	0.338	0.74
CD43-220MT	22	100	0.378	0.68
CD43-270MT	27	100	0.522	0.62
CD43-330MT	33	100	0.540	0.56
CD43-390MT	39	100	0.587	0.52
CD43-470MT	47	100	0.844	0.44
CD43-560MT	56	100	0.937	0.42
CD43-680MT	68	100	1.117	0.37
CD43-820MT	82	100	1.345	0.35
CD43-101KT	100	1	1.520	0.34
CD43-121KT	120	1	1.800	0.33
CD43-151KT	150	1	2.000	0.32
CD43-181KT	180	1	3.200	0.28
CD43-221KT	220	1	3.400	0.26
CD43-271KT	270	1	3.900	0.24
CD43-331KT	330	1	5.300	0.18

Note: Beyond the above specification also could satisfy the special requirement

Part Number	L(uH)	Test Freq.(KHz)	DCR max.(Ω)	Rated Current(A)
CD53-1R0MT	1.0	100	0.030	4.50
CD53-1R2MT	1.2	100	0.030	4.20
CD53-1R5MT	1.5	100	0.030	4.10
CD53-1R8MT	1.8	100	0.030	3.70
CD53-2R2MT	2.2	100	0.030	3.50
CD53-2R7MT	2.7	100	0.040	3.20
CD53-3R3MT	3.3	100	0.050	2.80
CD53-3R9MT	3.9	100	0.060	2.60
CD53-4R7MT	4.7	100	0.070	2.50
CD53-5R6MT	5.6	100	0.080	2.40
CD53-6R8MT	6.8	100	0.090	2.20
CD53-8R2MT	8.2	100	0.100	2.00
CD53-100MT	10	100	0.130	1.80
CD53-120MT	12	100	0.160	1.75
CD53-150MT	15	100	0.190	1.70
CD53-180MT	18	100	0.210	1.60
CD53-220MT	22	100	0.280	1.50
CD53-270MT	27	100	0.320	1.40
CD53-330MT	33	100	0.380	1.10
CD53-390MT	39	100	0.420	1.00
CD53-470MT	47	100	0.520	0.90
CD53-560MT	56	100	0.560	0.85
CD53-680MT	68	100	0.680	0.80
CD53-820MT	82	100	0.820	0.65
CD53-101KT	100	1	1.100	0.60
CD53-121KT	120	1	1.200	0.58
CD53-151KT	150	1	1.500	0.43
CD53-181KT	180	1	1.800	0.41
CD53-221KT	220	1	2.000	0.38
CD53-271KT	270	1	2.700	0.35
CD53-331KT	330	1	3.300	0.28
CD53-391KT	390	1	3.900	0.26
CD53-471KT	470	1	4.700	0.20

Note: Beyond the above specification also could satisfy the special requirement

Part Number	L(μ H)	Test Freq.(KHz)	DCR max.(Ω)	Rated Current(A)
CD54-1R0MT	1.0	100	0.015	5.90
CD54-1R2MT	1.2	100	0.020	5.20
CD54-1R5MT	1.5	100	0.025	4.70
CD54-1R8MT	1.8	100	0.030	4.00
CD54-2R2MT	2.2	100	0.035	3.80
CD54-2R7MT	2.7	100	0.040	3.40
CD54-3R3MT	3.3	100	0.045	3.30
CD54-3R9MT	3.9	100	0.050	2.90
CD54-4R7MT	4.7	100	0.060	2.80
CD54-5R6MT	5.6	100	0.070	2.40
CD54-6R8MT	6.8	100	0.080	2.10
CD54-8R2MT	8.2	100	0.090	2.00
CD54-100MT	10	100	0.100	1.44
CD54-120MT	12	100	0.120	1.40
CD54-150MT	15	100	0.140	1.30
CD54-180MT	18	100	0.150	1.23
CD54-220MT	22	100	0.180	1.11
CD54-270MT	27	100	0.200	0.97
CD54-330MT	33	100	0.230	0.88
CD54-390MT	39	100	0.320	0.80
CD54-470MT	47	100	0.370	0.72
CD54-560MT	56	100	0.420	0.68
CD54-680MT	68	100	0.460	0.61
CD54-820MT	82	100	0.600	0.58
CD54-101KT	100	1	0.700	0.52
CD54-121KT	120	1	0.930	0.48
CD54-151KT	150	1	1.100	0.40
CD54-181KT	180	1	1.380	0.38
CD54-221KT	220	1	1.570	0.35
CD54-271KT	270	1	1.650	0.32
CD54-331KT	330	1	1.700	0.28
CD54-391KT	390	1	1.800	0.26
CD54-471KT	470	1	2.300	0.23
CD54-561KT	560	1	2.500	0.20
CD54-681KT	680	1	3.000	0.19

Note: Beyond the above specification also could satisfy the special requirement

Part Number	L(μ H)	Test Freq.(KHz)	DCR max.(Ω)	Rated Current(A)
CD75-1R0MT	1.0	100	0.030	11.2
CD75-1R2MT	1.2	100	0.030	9.87
CD75-1R5MT	1.5	100	0.040	8.35
CD75-1R8MT	1.8	100	0.040	7.12
CD75-2R2MT	2.2	100	0.050	6.52
CD75-2R7MT	2.7	100	0.060	6.06
CD75-3R3MT	3.3	100	0.060	5.26
CD75-3R9MT	3.9	100	0.060	4.68
CD75-4R7MT	4.7	100	0.070	4.54
CD75-5R6MT	5.6	100	0.070	4.25
CD75-6R8MT	6.8	100	0.070	3.45
CD75-8R2MT	8.2	100	0.070	3.10
CD75-100MT	10	100	0.070	2.30
CD75-120MT	12	100	0.080	2.00
CD75-150MT	15	100	0.090	1.80
CD75-180MT	18	100	0.100	1.60
CD75-220MT	22	100	0.110	1.50
CD75-270MT	27	100	0.120	1.30
CD75-330MT	33	100	0.130	1.20
CD75-390MT	39	100	0.160	1.10
CD75-470MT	47	100	0.180	1.10
CD75-560MT	56	100	0.240	0.94
CD75-680MT	68	100	0.280	0.85
CD75-820MT	82	100	0.370	0.78
CD75-101KT	100	1	0.430	0.72
CD75-121KT	120	1	0.470	0.66
CD75-151KT	150	1	0.640	0.58
CD75-181KT	180	1	0.710	0.51
CD75-221KT	220	1	0.960	0.49
CD75-271KT	270	1	1.110	0.42
CD75-331KT	330	1	1.260	0.40
CD75-391KT	390	1	1.770	0.36
CD75-471KT	470	1	1.960	0.34
CD75-561KT	560	1	2.000	0.33
CD75-681KT	680	1	2.200	0.32
CD75-821KT	820	1	2.900	0.25
CD75-102KT	1000	1	3.600	0.23

Note: Beyond the above specification also could satisfy the special requirement

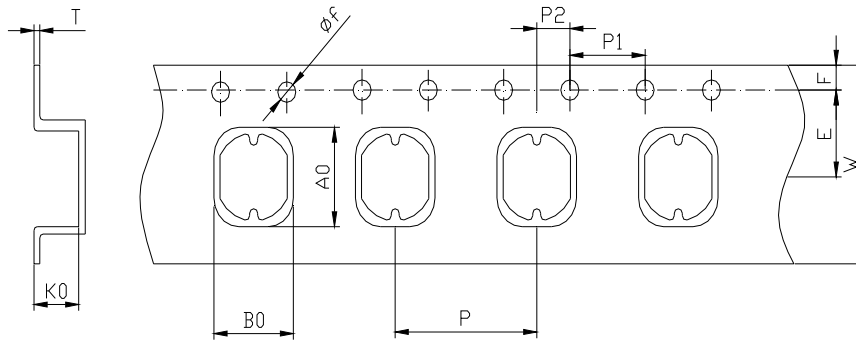
Part Number	L(uH)	Test Freq.(KHz)	DCR max.(Ω)	Rated Current(A)
CD104F-1R0MT	1.0	100	0.008	9.00
CD104F-1R5MT	1.5	100	0.010	8.00
CD104F-2R2MT	2.2	100	0.013	6.20
CD104F-2R7MT	2.7	100	0.014	5.60
CD104F-3R9MT	3.9	100	0.020	5.00
CD104F-4R7MT	4.7	100	0.022	4.50
CD104F-5R6MT	5.6	100	0.025	3.80
CD104F-6R8MT	6.8	100	0.030	3.00
CD104F-8R2MT	8.2	100	0.040	2.60
CD104F-100MT	10	100	0.053	2.38
CD104F-120MT	12	100	0.061	2.13
CD104F-150MT	15	100	0.070	1.87
CD104F-180MT	18	100	0.081	1.73
CD104F-220MT	22	100	0.088	1.60
CD104F-270MT	27	100	0.100	1.44
CD104F-330MT	33	100	0.120	1.26
CD104F-390MT	39	100	0.151	1.20
CD104F-470MT	47	100	0.170	1.10
CD104F-560MT	56	100	0.199	1.01
CD104F-680MT	68	100	0.223	0.91
CD104F-820MT	82	100	0.252	0.85
CD104F-101KT	100	1	0.344	0.74
CD104F-121KT	120	1	0.394	0.69
CD104F-151KT	150	1	0.544	0.61
CD104F-181KT	180	1	0.621	0.56
CD104F-221KT	220	1	0.721	0.53
CD104F-271KT	270	1	0.949	0.45
CD104F-331KT	330	1	1.100	0.42
CD104F-391KT	390	1	1.245	0.38
CD104F-471KT	470	1	1.526	0.35
CD104F-561KT	560	1	1.904	0.32
CD104F-681KT	680	1	2.200	0.30
CD104F-821KT	820	1	2.600	0.28
CD104F-102KT	1000	1	3.000	0.26

Note: Beyond the above specification also could satisfy the special requirement

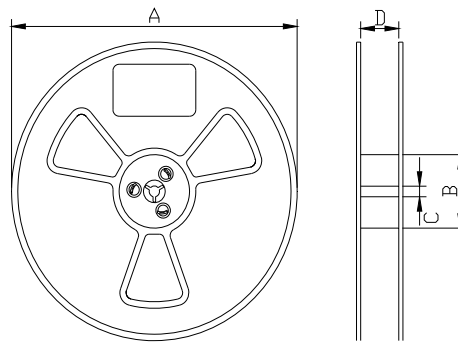
Part Number	L(uH)	Test Freq.(KHz)	DCR max.(Ω)	Rated Current(A)
CD105F-1R0MT	1.2	100	0.008	10.50
CD105F-1R5MT	1.5	100	0.010	9.50
CD105F-2R2MT	2.2	100	0.013	8.50
CD105F-3R3MT	3.3	100	0.015	7.50
CD105F-4R7MT	3.9	100	0.018	6.80
CD105F-6R8MT	4.7	100	0.020	6.00
CD105F-5R6MT	5.6	100	0.025	5.00
CD105F-6R8MT	6.8	100	0.030	4.20
CD105F-8R2MT	8.2	100	0.050	3.50
CD105F-100MT	10	100	0.060	2.60
CD105F-120MT	12	100	0.070	2.45
CD105F-150MT	15	100	0.080	2.27
CD105F-180MT	18	100	0.090	2.15
CD105F-220MT	22	100	0.100	1.95
CD105F-270MT	27	100	0.110	1.76
CD105F-330MT	33	100	0.120	1.50
CD105F-390MT	39	100	0.140	1.37
CD105F-470MT	47	100	0.170	1.28
CD105F-560MT	56	100	0.190	1.17
CD105F-680MT	68	100	0.220	1.11
CD105F-820MT	82	100	0.250	1.00
CD105F-101KT	100	1	0.350	0.97
CD105F-121KT	120	1	0.400	0.89
CD105F-151KT	150	1	0.470	0.78
CD105F-181KT	180	1	0.630	0.72
CD105F-221KT	220	1	0.730	0.66
CD105F-271KT	270	1	0.970	0.57
CD105F-331KT	330	1	1.150	0.52
CD105F-391KT	390	1	1.300	0.48
CD105F-471KT	470	1	1.480	0.42
CD105F-561KT	560	1	1.900	0.33
CD105F-681KT	680	1	2.250	0.28
CD105F-821KT	820	1	2.550	0.24
CD105F-102KT	1000	1	2.700	0.20

Note: Beyond the above specification also could satisfy the special requirement

CD Series Packaging



SIZE	A0	B0	E	F	f	P	P1	P2	W	T	K0
CD32	3.7	3.3	5.5	1.75	1.5	8	4	2	12	0.4	2.4
CD43	4.8	4.3	5.5	1.75	1.5	8	4	2	12	0.4	3.7
CD53	6.0	5.4	5.5	1.75	1.5	8	4	2	12	0.4	3.7
CD54	6.0	5.4	5.5	1.75	1.5	8	4	2	12	0.4	4.7
CD75	8.0	7.3	7.5	1.75	1.5	12	4	2	16	0.4	5.3
CD104F	10.3	9.4	11.5	1.75	1.5	12	4	2	24	0.4	4.6
CD105F	10.3	9.4	11.5	1.75	1.5	12	4	2	24	0.4	5.8



SIZE	A	B	C	D	Reel/PCS
CD32	330	100	13	12.5	3000
CD43	330	100	13	12.5	2000
CD53	330	100	13	12.5	2000
CD54	330	100	13	12.5	1500
CD75	330	100	13	16.5	1000
CD104F	330	100	13	24.5	1000
CD105F	330	100	13	24.5	1000

Note: Beyond the above specification also could satisfy the special requirement

X-ON Electronics

Largest Supplier of Electrical and Electronic Components

Click to view similar products for [Fixed Inductors](#) category:

Click to view products by [Me-TECH](#) manufacturer:

Other Similar products are found below :

[MLZ1608M6R8WTD25](#) [MLZ1608N6R8LT000](#) [MLZ1608N3R3LTD25](#) [MLZ1608N3R3LT000](#) [MLZ1608N150LT000](#)

[MLZ1608M150WTD25](#) [MLZ1608M3R3WTD25](#) [MLZ1608M3R3WT000](#) [MLZ1608M150WT000](#) [MLZ1608A1R5WT000](#)

[MLZ1608N1R5LT000](#) [B82432C1333K000](#) [PCMB053T-1R0MS](#) [PCMB053T-1R5MS](#) [PCMB104T-1R5MS](#) [CR32NP-100KC](#) [CR32NP-](#)

[151KC](#) [CR32NP-180KC](#) [CR32NP-181KC](#) [CR32NP-1R5MC](#) [CR32NP-390KC](#) [CR32NP-3R9MC](#) [CR32NP-680KC](#) [CR32NP-820KC](#)

[CR32NP-8R2MC](#) [CR43NP-390KC](#) [CR43NP-560KC](#) [CR43NP-680KC](#) [CR54NP-181KC](#) [CR54NP-470LC](#) [CR54NP-820KC](#) [CR54NP-8R5MC](#)

[MGDQ4-00004-P](#) [MGDU1-00016-P](#) [MHL1ECTTP18NJ](#) [MHL1JCTTD12NJ](#) [PE-51506NL](#) [PE-53601NL](#) [PE-53630NL](#) [PE-53824SNLT](#) [PE-](#)

[62892NL](#) [PE-92100NL](#) [PG0434.801NLT](#) [PG0936.113NLT](#) [PM06-2N7](#) [PM06-39NJ](#) [HC2LP-R47-R](#) [HC2-R47-R](#) [HC3-2R2-R](#) [HC8-1R2-R](#)