

SCOPE

This specification is applied to electrostatic discharge (ESD) protection. It is designed to protect the high-speed data lines against ESD transients.

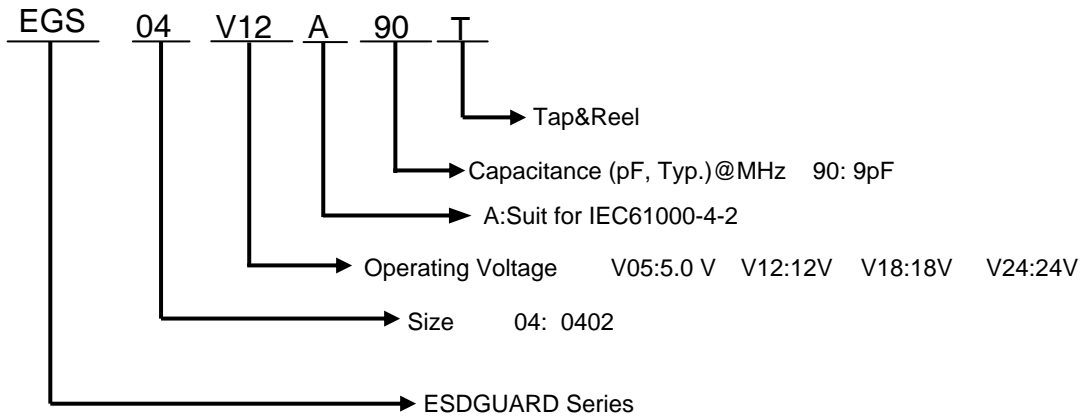
FEATURES

- Multilayer structure
- Bi-directional ESD protection
- Quick response time (<1ns).
- Lead free solder termination
- The best ESD protection for high frequency, low voltage applications
- Meet IEC 61000-4-2,61000-4-4,and 61000-4-5 standard

APPLICATIONS

- Application for Mother Board, Notebook, Cellular Phone, PDA, handheld device,DSC,DV,Scanner , and Set-Top Box etc.
- Data port:HDMI,USB2.0,IEEE1394,DVI etc.
- Wireless Device
- RS232,IrDA1.0
- Audio

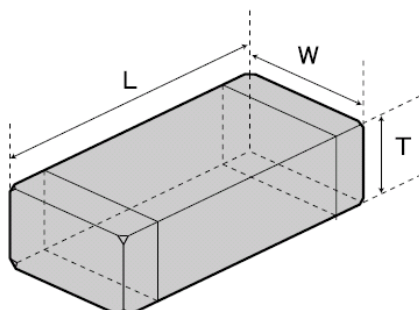
Explanation of Part Number



Rating and Characteristics

Type	Continuous Operating Voltage		Trigger Voltage (Typ.) ²		Clamping Voltage	Capacitance (Typ.) ³		Leakage Current
	V _{AC} (V)	V _{DC} (V)	Min	Max	V _c (V) 8/20μs	C _p (pF) 1MHz/1.0V	ΔC _p	I _l (μA)
EGS04V12A90T	8	12	27	33	24	9	±30%	<0.1

Dimensions



CODE	DIMENSION (mm)		
	L	W	T
04	1.00±0.05	0.50±0.05	0.50±0.05

Reliability Test

Environmental Specification	Reference Standard	Test Condition	Specification
Operating temperature		-55°C to 125°C	IL<1μA ¹
Full load voltage		85°C for 1000 hrs at working voltage	
Resistance of solder heat	MIL-STD-202 Method 210	260 ± 5°C for 10 ± 1 sec	
Thermal shock	MIL-STD-202 Method 107	-55°C to 125°C, 5 cycles	
Moisture resistance	MIL-STD-883, Method 1004.7	85%RH, 85°C for 1000hrs at working voltage	
Solderability	MIL-STD-202, Method 208	245 ± 5°C solder, 2 ± 0.5 sec dwell. Solder: Sn96.5/Ag3.0/Cu0.5	95% coverage

Note: 1. I_L – Leakage current at maximum operating voltage, the maximum leakage current was measured at reliability test.

Package

SIZE EIA(EIAJ)	EGS04
Standard Packing Quantity(pcs/reel)	10000pcs

Recommend Item for System Data I/OUsed

Device Port	Data Rate & Frequency	Rise Time	Capactiance
HDMI	1G bps	<1ns	<0.5pF
USB2.0 Data Port	480M bps	<1ns	<4pF
Wireless Device	1.5M bps	75~300ns	5~10pF
RS232,IrDA1.0	115.2K	1ns~8ns	10~100pF
Audio	20~20KHZ	0.05ms~5ms	10~1000pF

X-ON Electronics

Largest Supplier of Electrical and Electronic Components

Click to view similar products for [ESD Suppressors / TVS Diodes](#) category:

Click to view products by [Me-TECH](#) manufacturer:

Other Similar products are found below :

[60KS200C](#) [D18V0L1B2LP-7B](#) [D5V0F4U5P5-7](#) [DESD5V0U1BB-7](#) [NTE4902](#) [P4KE27CA](#) [P6KE11CA](#) [P6KE39CA-TP](#) [P6KE8.2A](#)
[SA110CA](#) [SA60CA](#) [SA64CA](#) [SMBJ12CATR](#) [SMBJ33CATR](#) [SMBJ8.0A](#) [ESD101-B1-02ELS E6327](#) [ESD105-B1-02EL E6327](#) [ESD112-B1-02EL E6327](#) [ESD119B1W01005E6327XTSA1](#) [ESD5V0L1B02VH6327XTSA1](#) [ESD7451N2T5G](#) [19180-510](#) [CPDT-5V0USP-HF](#)
[3.0SMCJ33CA-F](#) [3.0SMCJ36A-F](#) [HSPC16701B02TP](#) [D3V3Q1B2DLP3-7](#) [D55V0M1B2WS-7](#) [DESD5V0U1BL-7B](#) [DRTR5V0U4SL-7](#)
[SCM1293A-04SO](#) [ESD200-B1-CSP0201 E6327](#) [SM12-7](#) [SMLJ45CA-TP](#) [CEN955 W/DATA](#) [82350120560](#) [VESD12A1A-HD1-GS08](#)
[CPDUR5V0R-HF](#) [CPDQC5V0U-HF](#) [CPDQC5V0USP-HF](#) [CPDQC5V0-HF](#) [D1213A-01LP4-7B](#) [D1213A-02WL-7](#) [MMAD1108/TR13](#)
[5KP100A](#) [5KP15A](#) [5KP18A](#) [5KP48A](#) [5KP90A](#) [5KP90CA](#)