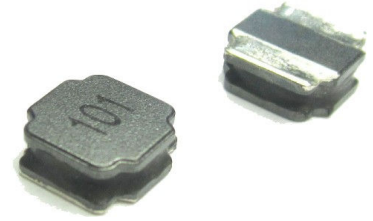


FEATURES

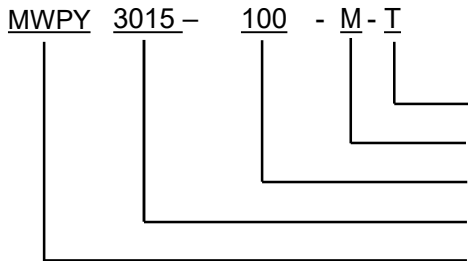
- Small and low profile inductors.
- High current performance.
- High magnetic shield construction should actualize high resolution.
- Available for automatic mounting in tape and reel package.



APPLICATIONS

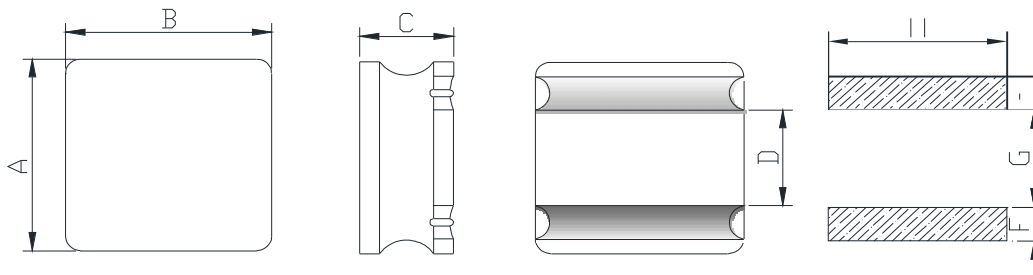
- Used in cellular Phone, HDD, DVC, DSC, PDA, LCD display, and other electronic equipment.

PRODUCT IDENTIFICATION

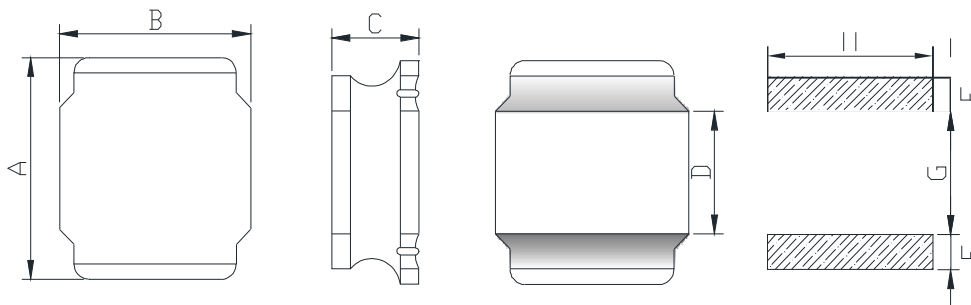


Packaging style (T: Taping; B: bulk)
 Inductance Tolerance (K:10% ; M:20% ; N:30%)
 Inductance Value (150:15uH; 100: 10uH; 101:100uH)
 Product dimensions
 Series name

SHAPES AND DIMENSIONS



MWPY2010/2510/2512



MWPY Others

Note: Beyond the above specification also could satisfy the special requirement

| Series | Dimensions(mm) | | | | | | |
|----------|----------------|----------|----------|------|------|------|------|
| | A | B | C | D | F | G | H |
| MWPY2010 | 2.00±0.1 | 1.60±0.1 | 1.0 Max. | 0.80 | 0.60 | 0.40 | 1.60 |
| MWPY2510 | 2.50±0.1 | 2.00±0.1 | 1.0 Max. | 1.10 | 0.80 | 0.90 | 2.00 |
| MWPY2512 | 2.50±0.1 | 2.00±0.1 | 1.2 Max. | 1.10 | 0.80 | 0.90 | 2.00 |
| MWPY3010 | 3.00±0.2 | 3.00±0.2 | 1.0 Max. | 1.30 | 0.80 | 1.10 | 2.70 |
| MWPY3012 | 3.00±0.2 | 3.00±0.2 | 1.2 Max. | 1.30 | 0.80 | 1.10 | 2.70 |
| MWPY3015 | 3.00±0.2 | 3.00±0.2 | 1.5 Max. | 1.30 | 0.80 | 1.10 | 2.70 |
| MWPY4010 | 4.00±0.2 | 4.00±0.2 | 1.0 Max. | 1.75 | 1.50 | 1.55 | 3.60 |
| MWPY4012 | 4.00±0.2 | 4.00±0.2 | 1.2 Max. | 1.75 | 1.50 | 1.55 | 3.60 |
| MWPY4018 | 4.00±0.2 | 4.00±0.2 | 1.8 Max. | 1.75 | 1.50 | 1.55 | 3.60 |
| MWPY4020 | 4.00±0.2 | 4.00±0.2 | 2.0Max | 1.80 | 1.10 | 1.90 | 3.70 |
| MWPY4030 | 4.00±0.3 | 4.00±0.3 | 3.0Max | 1.80 | 1.10 | 1.90 | 3.70 |
| MWPY5020 | 5.00±0.2 | 5.00±0.2 | 2.0Max | 2.30 | 1.50 | 2.10 | 4.00 |
| MWPY5040 | 5.00±0.2 | 5.00±0.2 | 4.0 Max. | 2.30 | 1.50 | 2.10 | 4.00 |
| MWPY6020 | 6.00±0.3 | 6.00±0.3 | 2.0 Max. | 3.30 | 1.60 | 3.10 | 5.70 |
| MWPY6028 | 6.00±0.3 | 6.00±0.3 | 2.8 Max. | 3.30 | 1.60 | 3.10 | 5.70 |
| MWPY6045 | 6.00±0.3 | 6.00±0.3 | 4.5 Max. | 3.30 | 1.60 | 3.10 | 5.70 |
| MWPY8040 | 8.00±0.3 | 8.00±0.3 | 4.0 Max. | 4.00 | 1.80 | 3.80 | 7.50 |

ELECTRICAL CHARACTERISTICS

- Test Frequency : 100KHz/1V
- Test equipment :
L/Q : HP-4286A
SRF : HP-4291B , HP4287A
RDC: HP-4286A , CH16502
- Isat : Based on Inductance decrease 30%
- Irms : Based on Temperature increase 40°C
- Operating temperature range: -40 to +125°C (Including self-temperature rise)
- Storage Temp.: -40°C TO +85°C

| Part Number | L(uH) | Test Freq.(KHz) | DCR max.(Ω) | Isat(A) | Irms(A) |
|------------------|-------|-----------------|-------------|---------|---------|
| MWPY2010-R24-M-T | 0.24 | 100 | 0.031 | 4.00 | 3.70 |
| MWPY2010-R47-M-T | 0.47 | 100 | 0.059 | 2.56 | 2.60 |
| MWPY2010-1R0-M-T | 1.00 | 100 | 0.115 | 1.69 | 1.60 |
| MWPY2010-1R5-M-T | 1.50 | 100 | 0.172 | 1.46 | 1.40 |
| MWPY2010-2R2-M-T | 2.20 | 100 | 0.235 | 1.26 | 1.30 |
| MWPY2010-3R3-M-T | 3.30 | 100 | 0.296 | 0.90 | 1.05 |
| MWPY2010-4R7-M-T | 4.70 | 100 | 0.444 | 0.76 | 0.90 |
| MWPY2010-6R8-M-T | 6.80 | 100 | 0.797 | 0.72 | 0.60 |
| MWPY2010-100-M-T | 10.0 | 100 | 0.1330 | 0.55 | 0.45 |

Note: Beyond the above specification also could satisfy the special requirement

| Part Number | L(μ H) | Test Freq.(KHz) | DCR max.(Ω) | Isat(A) | Irms(A) |
|------------------|-------------|-----------------|----------------------|---------|---------|
| MWPY2510-R47-M-T | 0.47 | 100 | 0.046 | 2.50 | 2.65 |
| MWPY2510-R68-M-T | 0.68 | 100 | 0.062 | 2.05 | 2.20 |
| MWPY2510-1R0-M-T | 1.00 | 100 | 0.084 | 1.75 | 1.90 |
| MWPY2510-1R5-M-T | 1.50 | 100 | 0.128 | 1.45 | 1.50 |
| MWPY2510-2R2-M-T | 2.20 | 100 | 0.190 | 1.20 | 1.20 |
| MWPY2510-3R3-M-T | 3.30 | 100 | 0.275 | 0.94 | 1.00 |
| MWPY2510-4R7-M-T | 4.70 | 100 | 0.398 | 0.80 | 0.82 |
| MWPY2510-6R8-M-T | 6.80 | 100 | 0.532 | 0.68 | 0.71 |
| MWPY2510-100-M-T | 10.0 | 100 | 0.854 | 0.56 | 0.55 |

| Part Number | L(μ H) | Test Freq.(KHz) | DCR max.(Ω) | Isat(A) | Irms(A) |
|------------------|-------------|-----------------|----------------------|---------|---------|
| MWPY2512-R47-M-T | 0.47 | 100 | 0.056 | 2.75 | 2.45 |
| MWPY2512-1R0-M-T | 1.00 | 100 | 0.087 | 2.20 | 2.10 |
| MWPY2512-1R5-M-T | 1.50 | 100 | 0.126 | 1.80 | 1.65 |
| MWPY2512-2R2-M-T | 2.20 | 100 | 0.154 | 1.55 | 1.50 |
| MWPY2512-3R3-M-T | 3.30 | 100 | 0.272 | 1.25 | 1.15 |
| MWPY2512-4R7-M-T | 4.70 | 100 | 0.405 | 1.05 | 1.00 |
| MWPY2512-6R8-M-T | 6.80 | 100 | 0.612 | 0.85 | 0.78 |
| MWPY2512-100-M-T | 10.0 | 100 | 0.756 | 0.73 | 0.72 |

| Part Number | L(μ H) | Test Freq.(KHz) | DCR max.(Ω) | Isat(A) | Irms(A) |
|------------------|-------------|-----------------|----------------------|---------|---------|
| MWPY3010-1R0-M-T | 1.00 | 100 | 0.078 | 1.30 | 1.40 |
| MWPY3010-1R5-M-T | 1.50 | 100 | 0.096 | 1.20 | 1.30 |
| MWPY3010-2R2-M-T | 2.20 | 100 | 0.114 | 1.10 | 1.10 |
| MWPY3010-3R3-M-T | 3.30 | 100 | 0.168 | 0.87 | 0.94 |
| MWPY3010-4R7-M-T | 4.70 | 100 | 0.228 | 0.75 | 0.78 |
| MWPY3010-6R8-M-T | 6.80 | 100 | 0.360 | 0.61 | 0.63 |
| MWPY3010-100-M-T | 10.0 | 100 | 0.540 | 0.50 | 0.51 |
| MWPY3010-150-M-T | 15 | 100 | 0.888 | 0.40 | 0.40 |
| MWPY3010-220-M-T | 22 | 100 | 1.236 | 0.35 | 0.35 |
| MWPY3010-330-M-T | 33 | 100 | 1.860 | 0.26 | 0.28 |
| MWPY3010-470-M-T | 47 | 100 | 2.460 | 0.22 | 0.24 |

Note: Beyond the above specification also could satisfy the special requirement

| Part Number | L(uH) | Test Freq.(KHz) | DCR max.(Ω) | Isat(A) | Irms(A) |
|------------------|-------|-----------------|-------------|---------|---------|
| MWPY3012-1R0-M-T | 1.00 | 100 | 0.052 | 1.87 | 2.20 |
| MWPY3012-1R5-M-T | 1.50 | 100 | 0.058 | 1.62 | 2.00 |
| MWPY3012-2R2-M-T | 2.20 | 100 | 0.098 | 1.20 | 1.55 |
| MWPY3012-3R3-M-T | 3.30 | 100 | 0.115 | 1.05 | 1.36 |
| MWPY3012-4R7-M-T | 4.70 | 100 | 0.144 | 0.90 | 1.24 |
| MWPY3012-6R8-M-T | 6.80 | 100 | 0.228 | 0.75 | 0.98 |
| MWPY3012-100-M-T | 10.0 | 100 | 0.318 | 0.60 | 0.83 |
| MWPY3012-150-M-T | 15 | 100 | 0.432 | 0.44 | 0.49 |
| MWPY3012-220-M-T | 22 | 100 | 0.756 | 0.42 | 0.53 |
| MWPY3012-330-M-T | 33 | 100 | 1.236 | 0.36 | 0.46 |
| MWPY3012-470-M-T | 47 | 100 | 1.740 | 0.27 | 0.35 |

| Part Number | L(uH) | Test Freq.(KHz) | DCR max.(Ω) | Isat(A) | Irms(A) |
|------------------|-------|-----------------|-------------|---------|---------|
| MWPY3015-1R0-M-T | 1.00 | 100 | 0.036 | 2.30 | 2.35 |
| MWPY3015-1R5-M-T | 1.50 | 100 | 0.046 | 1.80 | 1.82 |
| MWPY3015-2R2-M-T | 2.20 | 100 | 0.072 | 1.60 | 1.60 |
| MWPY3015-3R3-M-T | 3.30 | 100 | 0.094 | 1.32 | 1.36 |
| MWPY3015-4R7-M-T | 4.70 | 100 | 0.144 | 1.10 | 1.10 |
| MWPY3015-6R8-M-T | 6.80 | 100 | 0.192 | 0.88 | 0.85 |
| MWPY3015-100-M-T | 10.0 | 100 | 0.264 | 0.72 | 0.77 |
| MWPY3015-150-M-T | 15 | 100 | 0.432 | 0.66 | 0.65 |
| MWPY3015-220-M-T | 22 | 100 | 0.624 | 0.52 | 0.57 |
| MWPY3015-330-M-T | 33 | 100 | 1.008 | 0.42 | 0.44 |
| MWPY3015-470-M-T | 47 | 100 | 1.600 | 0.35 | 0.35 |

| Part Number | L(uH) | Test Freq.(KHz) | DCR max.(Ω) | Isat(A) | Irms(A) |
|------------------|-------|-----------------|-------------|---------|---------|
| MWPY4010-1R0-M-T | 1.00 | 100 | 0.067 | 2.00 | 1.90 |
| MWPY4010-2R2-M-T | 2.20 | 100 | 0.102 | 1.15 | 1.50 |
| MWPY4010-3R3-M-T | 3.30 | 100 | 0.120 | 1.10 | 1.40 |
| MWPY4010-4R7-M-T | 4.70 | 100 | 0.168 | 0.95 | 1.20 |
| MWPY4010-6R8-M-T | 6.80 | 100 | 0.240 | 0.80 | 1.00 |
| MWPY4010-100-M-T | 10.0 | 100 | 0.360 | 0.62 | 0.75 |
| MWPY4010-150-M-T | 15 | 100 | 0.516 | 0.54 | 0.61 |
| MWPY4010-220-M-T | 22 | 100 | 0.684 | 0.45 | 0.50 |

Note: Beyond the above specification also could satisfy the special requirement

| Part Number | L(uH) | Test Freq.(KHz) | DCR max.(Ω) | Isat(A) | Irms(A) |
|------------------|-------|-----------------|-------------|---------|---------|
| MWPY4012-1R0-M-T | 1.00 | 100 | 0.072 | 2.60 | 1.65 |
| MWPY4012-2R2-M-T | 2.20 | 100 | 0.108 | 1.72 | 1.32 |
| MWPY4012-3R3-M-T | 3.30 | 100 | 0.156 | 1.72 | 1.12 |
| MWPY4012-4R7-M-T | 4.70 | 100 | 0.168 | 1.15 | 1.05 |
| MWPY4012-6R8-M-T | 6.80 | 100 | 0.216 | 0.90 | 0.84 |
| MWPY4012-100-M-T | 10.0 | 100 | 0.288 | 0.80 | 0.77 |
| MWPY4012-150-M-T | 15 | 100 | 0.480 | 0.56 | 0.60 |
| MWPY4012-220-M-T | 22 | 100 | 0.576 | 0.46 | 0.49 |
| MWPY4012-330-M-T | 33 | 100 | 0.972 | 0.40 | 0.42 |
| MWPY4012-470-M-T | 47 | 100 | 1.200 | 0.35 | 0.37 |

| Part Number | L(uH) | Test Freq.(KHz) | DCR max.(Ω) | Isat(A) | Irms(A) |
|------------------|-------|-----------------|-------------|---------|---------|
| MWPY4018-1R0-M-T | 1.00 | 100 | 0.032 | 4.80 | 2.00 |
| MWPY4018-1R5-M-T | 1.50 | 100 | 0.041 | 3.35 | 1.80 |
| MWPY4018-2R2-M-T | 2.20 | 100 | 0.048 | 2.70 | 1.65 |
| MWPY4018-3R3-M-T | 3.30 | 100 | 0.078 | 2.45 | 1.23 |
| MWPY4018-4R7-M-T | 4.70 | 100 | 0.150 | 1.70 | 1.20 |
| MWPY4018-6R8-M-T | 6.80 | 100 | 0.160 | 1.45 | 1.06 |
| MWPY4018-100-M-T | 10.0 | 100 | 0.180 | 1.30 | 0.84 |
| MWPY4018-150-M-T | 15 | 100 | 0.300 | 0.94 | 0.65 |
| MWPY4018-220-M-T | 22 | 100 | 0.432 | 0.80 | 0.59 |
| MWPY4018-330-M-T | 33 | 100 | 0.636 | 0.56 | 0.49 |
| MWPY4018-470-M-T | 47 | 100 | 0.780 | 0.57 | 0.42 |
| MWPY4018-680-M-T | 68 | 100 | 1.200 | 0.47 | 0.32 |

| Part Number | L(uH) | Test Freq.(KHz) | DCR max.(Ω) | Isat(A) | Irms(A) |
|------------------|-------|-----------------|-------------|---------|---------|
| MWPY4020-1R0-M-T | 1.00 | 100 | 0.028 | 5.10 | 2.15 |
| MWPY4020-1R5-M-T | 1.50 | 100 | 0.035 | 4.45 | 1.98 |
| MWPY4020-2R2-M-T | 2.20 | 100 | 0.040 | 3.40 | 1.85 |
| MWPY4020-3R3-M-T | 3.30 | 100 | 0.070 | 3.20 | 1.40 |
| MWPY4020-4R7-M-T | 4.70 | 100 | 0.080 | 2.35 | 1.34 |
| MWPY4020-6R8-M-T | 6.80 | 100 | 0.125 | 2.00 | 1.04 |
| MWPY4020-100-M-T | 10.0 | 100 | 0.165 | 1.60 | 0.90 |
| MWPY4020-150-M-T | 15 | 100 | 0.230 | 1.35 | 0.77 |
| MWPY4020-220-M-T | 22 | 100 | 0.350 | 1.05 | 0.62 |
| MWPY4020-330-M-T | 33 | 100 | 0.500 | 0.85 | 0.49 |
| MWPY4020-470-M-T | 47 | 100 | 0.710 | 0.74 | 0.44 |
| MWPY4020-680-M-T | 68 | 100 | 1.250 | 0.60 | 0.35 |

Note: Beyond the above specification also could satisfy the special requirement

| Part Number | L(uH) | Test Freq.(KHz) | DCR max.(Ω) | Isat(A) | Irms(A) |
|------------------|-------|-----------------|-------------|---------|---------|
| MWPY4030-1R0-M-T | 1.00 | 100 | 0.015 | 5.90 | 3.40 |
| MWPY4030-1R5-M-T | 1.50 | 100 | 0.025 | 4.85 | 3.30 |
| MWPY4030-2R2-M-T | 2.20 | 100 | 0.035 | 4.10 | 2.95 |
| MWPY4030-3R3-M-T | 3.30 | 100 | 0.040 | 3.30 | 2.40 |
| MWPY4030-3R9-M-T | 3.90 | 100 | 0.057 | 3.00 | 2.10 |
| MWPY4030-4R7-M-T | 4.70 | 100 | 0.060 | 2.90 | 2.00 |
| MWPY4030-5R6-M-T | 5.60 | 100 | 0.070 | 2.75 | 1.95 |
| MWPY4030-6R8-M-T | 6.80 | 100 | 0.075 | 2.60 | 1.70 |
| MWPY4030-7R5-M-T | 7.50 | 100 | 0.090 | 2.20 | 1.65 |
| MWPY4030-8R2-M-T | 8.20 | 100 | 0.100 | 2.10 | 1.60 |
| MWPY4030-100-M-T | 10.0 | 100 | 0.115 | 1.95 | 1.50 |
| MWPY4030-120-M-T | 12.0 | 100 | 0.140 | 1.70 | 1.35 |
| MWPY4030-150-M-T | 15.0 | 100 | 0.190 | 1.65 | 1.15 |
| MWPY4030-180-M-T | 18.0 | 100 | 0.215 | 1.40 | 1.10 |
| MWPY4030-220-M-T | 22.0 | 100 | 0.225 | 1.30 | 1.00 |
| MWPY4030-330-M-T | 33.0 | 100 | 0.330 | 1.10 | 0.84 |
| MWPY4030-470-M-T | 47.0 | 100 | 0.500 | 0.90 | 0.72 |
| MWPY4030-560-M-T | 56.0 | 100 | 0.560 | 0.85 | 0.65 |
| MWPY4030-680-M-T | 68.0 | 100 | 0.750 | 0.75 | 0.55 |
| MWPY4030-820-M-T | 82.0 | 100 | 0.950 | 0.68 | 0.50 |
| MWPY4030-101-M-T | 100.0 | 100 | 1.150 | 0.60 | 0.45 |
| MWPY4030-151-M-T | 150.0 | 100 | 2.350 | 0.50 | 0.35 |

| Part Number | L(uH) | Test Freq.(KHz) | DCR max.(Ω) | Isat(A) | Irms(A) |
|------------------|-------|-----------------|-------------|---------|---------|
| MWPY5020-1R0-M-T | 1.00 | 100 | 0.025 | 4.10 | 3.80 |
| MWPY5020-1R5-M-T | 1.50 | 100 | 0.031 | 4.00 | 3.20 |
| MWPY5020-2R2-M-T | 2.20 | 100 | 0.042 | 3.20 | 2.90 |
| MWPY5020-3R3-M-T | 3.30 | 100 | 0.058 | 2.55 | 2.40 |
| MWPY5020-4R7-M-T | 4.70 | 100 | 0.072 | 2.20 | 2.00 |
| MWPY5020-6R8-M-T | 6.80 | 100 | 0.108 | 2.00 | 1.80 |
| MWPY5020-100-M-T | 10.0 | 100 | 0.144 | 1.70 | 1.55 |
| MWPY5020-150-M-T | 15 | 100 | 0.198 | 1.35 | 1.20 |
| MWPY5020-220-M-T | 22 | 100 | 0.312 | 1.15 | 1.10 |

Note: Beyond the above specification also could satisfy the special requirement

| Part Number | L(uH) | Test Freq.(KHz) | DCR max.(Ω) | Isat(A) | Irms(A) |
|------------------|-------|-----------------|-------------|---------|---------|
| MWPY5040-1R0-M-T | 1.00 | 100 | 0.016 | 7.35 | 4.90 |
| MWPY5040-2R2-M-T | 2.20 | 100 | 0.026 | 4.90 | 3.80 |
| MWPY5040-3R3-M-T | 3.30 | 100 | 0.032 | 3.95 | 3.40 |
| MWPY5040-4R7-M-T | 4.70 | 100 | 0.035 | 3.50 | 3.10 |
| MWPY5040-6R8-M-T | 6.80 | 100 | 0.059 | 2.90 | 2.50 |
| MWPY5040-100-M-T | 10.0 | 100 | 0.067 | 2.35 | 2.10 |
| MWPY5040-150-M-T | 15 | 100 | 0.096 | 2.00 | 2.00 |
| MWPY5040-220-M-T | 22 | 100 | 0.151 | 1.60 | 1.50 |
| MWPY5040-330-M-T | 33 | 100 | 0.216 | 1.30 | 1.20 |
| MWPY5040-470-M-T | 47 | 100 | 0.372 | 1.10 | 1.00 |

| Part Number | L(uH) | Test Freq.(KHz) | DCR max.(Ω) | Isat(A) | Irms(A) |
|------------------|-------|-----------------|-------------|---------|---------|
| MWPY6020-R80-M-T | 0.80 | 100 | 0.022 | 5.40 | 3.85 |
| MWPY6020-1R5-M-T | 1.50 | 100 | 0.031 | 4.20 | 3.20 |
| MWPY6020-2R2-M-T | 2.20 | 100 | 0.041 | 3.70 | 2.70 |
| MWPY6020-3R3-M-T | 3.30 | 100 | 0.048 | 3.15 | 2.65 |
| MWPY6020-4R7-M-T | 4.70 | 100 | 0.070 | 3.00 | 2.10 |
| MWPY6020-6R8-M-T | 6.80 | 100 | 0.102 | 2.20 | 1.85 |
| MWPY6020-100-M-T | 10.0 | 100 | 0.150 | 1.70 | 1.50 |
| MWPY6020-220-M-T | 22 | 100 | 0.348 | 1.05 | 1.00 |

Note: Beyond the above specification also could satisfy the special requirement

| Part Number | L(uH) | Test Freq.(KHz) | DCR max.(Ω) | Isat(A) | Irms(A) |
|------------------|-------|-----------------|-------------|---------|---------|
| MWPY6028-R90-M-T | 0.90 | 100 | 0.016 | 6.30 | 5.20 |
| MWPY6028-1R5-M-T | 1.50 | 100 | 0.019 | 6.00 | 4.58 |
| MWPY6028-2R2-M-T | 2.20 | 100 | 0.024 | 5.10 | 3.70 |
| MWPY6028-3R3-M-T | 3.30 | 100 | 0.028 | 4.15 | 3.40 |
| MWPY6028-4R7-M-T | 4.70 | 100 | 0.037 | 3.00 | 3.00 |
| MWPY6028-6R8-M-T | 6.80 | 100 | 0.048 | 2.60 | 2.40 |
| MWPY6028-100-M-T | 10 | 100 | 0.078 | 2.00 | 1.90 |
| MWPY6028-150-M-T | 15 | 100 | 0.114 | 1.75 | 1.40 |
| MWPY6028-220-M-T | 22 | 100 | 0.162 | 1.45 | 1.40 |
| MWPY6028-330-M-T | 33 | 100 | 0.264 | 1.35 | 1.20 |
| MWPY6028-470-M-T | 47 | 100 | 0.360 | 1.15 | 1.06 |
| MWPY6028-680-M-T | 68 | 100 | 0.504 | 0.80 | 0.77 |
| MWPY6028-101-M-T | 100 | 100 | 0.720 | 0.62 | 0.66 |

| Part Number | L(uH) | Test Freq.(KHz) | DCR max.(Ω) | Isat(A) | Irms(A) |
|------------------|-------|-----------------|-------------|---------|---------|
| MWPY6045-1R0-M-T | 1.00 | 100 | 0.019 | 9.80 | 5.10 |
| MWPY6045-1R5-M-T | 1.50 | 100 | 0.020 | 8.80 | 4.95 |
| MWPY6045-1R8-M-T | 1.80 | 100 | 0.025 | 7.60 | 4.90 |
| MWPY6045-2R2-M-T | 2.20 | 100 | 0.029 | 6.70 | 4.60 |
| MWPY6045-3R3-M-T | 3.30 | 100 | 0.031 | 5.90 | 3.70 |
| MWPY6045-4R7-M-T | 4.70 | 100 | 0.035 | 4.90 | 3.30 |
| MWPY6045-6R8-M-T | 6.80 | 100 | 0.045 | 3.90 | 3.00 |
| MWPY6045-100-M-T | 10 | 100 | 0.060 | 3.20 | 2.45 |
| MWPY6045-150-M-T | 15 | 100 | 0.086 | 2.50 | 2.05 |
| MWPY6045-220-M-T | 22 | 100 | 0.139 | 2.05 | 1.80 |
| MWPY6045-330-M-T | 33 | 100 | 0.183 | 1.60 | 1.45 |
| MWPY6045-470-M-T | 47 | 100 | 0.270 | 1.40 | 1.20 |
| MWPY6045-680-M-T | 68 | 100 | 0.395 | 1.20 | 1.00 |
| MWPY6045-101-M-T | 100 | 100 | 0.590 | 0.90 | 0.75 |

Note: Beyond the above specification also could satisfy the special requirement

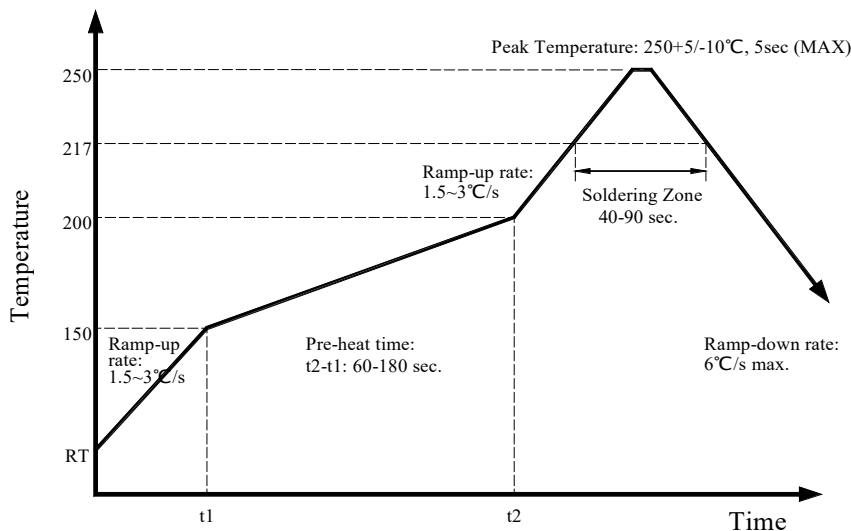
| Part Number | L(uH) | Test Freq.(KHz) | DCR max.(Ω) | Isat(A) | Irms(A) |
|--------------------|--------------|------------------------|--------------------|----------------|----------------|
| MWPY8040-1R0-M-T | 1.00 | 100 | 0.007 | 9.85 | 6.30 |
| MWPY8040-1R5-M-T | 1.50 | 100 | 0.009 | 8.15 | 5.65 |
| MWPY8040-2R2-M-T | 2.20 | 100 | 0.013 | 7.00 | 6.30 |
| MWPY8040-3R9-M-T | 3.90 | 100 | 0.020 | 5.30 | 4.90 |
| MWPY8040-4R7-M-T | 4.70 | 100 | 0.021 | 4.70 | 4.20 |
| MWPY8040-6R8-M-T | 6.80 | 100 | 0.033 | 4.50 | 3.70 |
| MWPY8040-100-M-T | 10 | 100 | 0.047 | 3.80 | 3.30 |
| MWPY8040-150-M-T | 15 | 100 | 0.065 | 2.95 | 2.60 |
| MWPY8040-220-M-T | 22 | 100 | 0.076 | 2.30 | 2.20 |
| MWPY8040-330-M-T | 33 | 100 | 0.105 | 2.00 | 1.80 |
| MWPY8040-470-M-T | 47 | 100 | 0.183 | 1.70 | 1.50 |
| MWPY8040-680-M-T | 68 | 100 | 0.247 | 1.45 | 1.20 |
| MWPY8040-101-M-T | 100 | 100 | 0.364 | 1.10 | 1.00 |

Note: Beyond the above specification also could satisfy the special requirement

REALIABILITY TEST

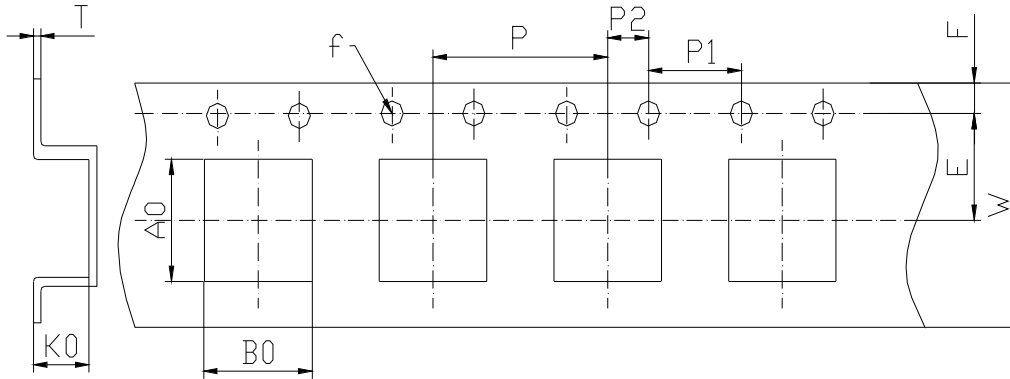
| NO | Test item | Specification | Test condition |
|-----|--------------------------|--|---|
| 1-1 | Solderability test | The terminals tested should be covered up to 95% by new solder under 10x CCD microscope. Pinholes concentrated on a section are not acceptable | 1.soldering temperature is $245\pm 5^{\circ}\text{C}$ 2.Dipping times are totally 5 ± 0.5 seconds |
| 1-2 | High temp. storage test | Electrical characteristics variation shall not change more 10% | Test conditions : $+125^{\circ}\text{C}\pm 2^{\circ}\text{C}$ For 500 hours |
| 1-3 | Low temp. storage test | | Test conditions : $-40^{\circ}\text{C}\pm 2^{\circ}\text{C}$ For 500 hours |
| 1-4 | Humidity test | | Temperature : $+60^{\circ}\text{C}\pm 2^{\circ}\text{C}$ Humidity : $90\%\pm 5\%$ Time : 500 hours |
| 1-5 | Thermal shock test | | Test conditions: $+85^{\circ}\text{C}\pm 2^{\circ}\text{C}$ (30min.) \sim $-40^{\circ}\text{C}\pm 2^{\circ}\text{C}$ (30min.) Temp change:2 min. Total : 100 cycles |
| 1-6 | Life test | | Test conditions : $+105^{\circ}\text{C}\pm 5^{\circ}\text{C}$ Total test : 500 hours |
| 1-7 | Vibration test | | No damage Appearance can not be broken |
| 1-8 | Soldering heat bear test | Reflow temperature up to above 260°C X 3Times | |

RECOMMENDED LEAD-FREE IR REFLOW CONDITIONS



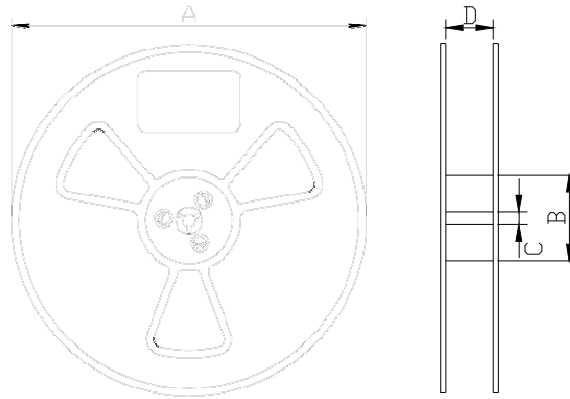
Note: Beyond the above specification also could satisfy the special requirement

PACKAGING AND DIMENSIONS



| SIZE | A0 | B0 | E | F | f | P | P1 | P2 | W | T | K0 |
|----------|------|------|------|------|------|-------|------|------|-------|------|------|
| MWPY2010 | 2.65 | 2.65 | 5.50 | 1.75 | 1.50 | 4.00 | 4.00 | 2.00 | 8.00 | 0.25 | 1.25 |
| MWPY2510 | 2.73 | 2.23 | 5.50 | 1.75 | 1.50 | 4.00 | 4.00 | 2.00 | 8.00 | 0.25 | 1.30 |
| MWPY2512 | 2.73 | 2.23 | 5.50 | 1.75 | 1.50 | 4.00 | 4.00 | 2.00 | 8.00 | 0.25 | 1.50 |
| MWPY3010 | 3.25 | 3.25 | 5.50 | 1.75 | 1.50 | 4.00 | 4.00 | 2.00 | 8.00 | 0.25 | 1.25 |
| MWPY3012 | 3.25 | 3.25 | 5.50 | 1.75 | 1.50 | 4.00 | 4.00 | 2.00 | 8.00 | 0.25 | 1.45 |
| MWPY3015 | 3.25 | 3.25 | 5.50 | 1.75 | 1.50 | 4.00 | 4.00 | 2.00 | 8.00 | 0.25 | 1.75 |
| MWPY4010 | 4.30 | 4.30 | 5.50 | 1.75 | 1.50 | 8.00 | 4.00 | 2.00 | 12.00 | 0.25 | 1.25 |
| MWPY4012 | 4.30 | 4.30 | 5.50 | 1.75 | 1.50 | 8.00 | 4.00 | 2.00 | 12.00 | 0.25 | 1.45 |
| MWPY4018 | 4.30 | 4.30 | 5.50 | 1.75 | 1.50 | 8.00 | 4.00 | 2.00 | 12.00 | 0.25 | 2.05 |
| MWPY4020 | 4.30 | 4.30 | 5.50 | 1.75 | 1.50 | 8.00 | 4.00 | 2.00 | 12.00 | 0.30 | 2.25 |
| MWPY4030 | 4.50 | 4.50 | 5.50 | 1.75 | 1.5 | 8.00 | 4.00 | 2.00 | 12.00 | 0.30 | 3.20 |
| MWPY5020 | 5.40 | 5.40 | 5.50 | 1.75 | 1.50 | 8.00 | 4.00 | 2.00 | 12.00 | 0.25 | 2.25 |
| MWPY5040 | 5.40 | 5.40 | 5.50 | 1.75 | 1.50 | 8.00 | 4.00 | 2.00 | 12.00 | 0.25 | 4.25 |
| MWPY6020 | 6.40 | 6.40 | 5.50 | 1.75 | 1.50 | 8.00 | 4.00 | 2.00 | 16.00 | 0.25 | 2.25 |
| MWPY6028 | 6.40 | 6.40 | 5.50 | 1.75 | 1.50 | 8.00 | 4.00 | 2.00 | 16.00 | 0.25 | 3.05 |
| MWPY6045 | 6.40 | 6.40 | 5.50 | 1.75 | 1.50 | 8.00 | 4.00 | 2.00 | 16.00 | 0.25 | 4.75 |
| MWPY8040 | 8.20 | 8.40 | 5.50 | 1.75 | 1.50 | 12.00 | 4.00 | 2.00 | 16.00 | 0.25 | 4.25 |

Note: Beyond the above specification also could satisfy the special requirement



| SIZE | A | B | C | D | Reel/PCS |
|----------|-----|-----|----|------|----------|
| MWPY2010 | 178 | 60 | 13 | 8.5 | 3000 |
| MWPY2510 | 178 | 60 | 13 | 8.5 | 2000 |
| MWPY2512 | 178 | 60 | 13 | 8.5 | 2000 |
| MWPY3010 | 178 | 60 | 13 | 8.5 | 2000 |
| MWPY3012 | 178 | 60 | 13 | 8.5 | 2000 |
| MWPY3015 | 178 | 60 | 13 | 8.5 | 2000 |
| MWPY4010 | 330 | 100 | 13 | 12.5 | 5000 |
| MWPY4012 | 330 | 100 | 13 | 12.5 | 4500 |
| MWPY4018 | 330 | 100 | 13 | 12.5 | 3000 |
| MWPY4020 | 330 | 100 | 13 | 12.5 | 3000 |
| MWPY4030 | 330 | 100 | 13 | 12.5 | 3000 |
| MWPY5020 | 330 | 100 | 13 | 12.5 | 2500 |
| MWPY5040 | 330 | 100 | 13 | 12.5 | 1500 |
| MWPY6020 | 330 | 100 | 13 | 12.5 | 2500 |
| MWPY6028 | 330 | 100 | 13 | 12.5 | 2000 |
| MWPY6045 | 330 | 100 | 13 | 12.5 | 1500 |
| MWPY8040 | 330 | 100 | 13 | 12.5 | 1000 |

Note: Beyond the above specification also could satisfy the special requirement