

MF16 Series (Frequency Meter) - MP14 Series (Power Factor Meter)

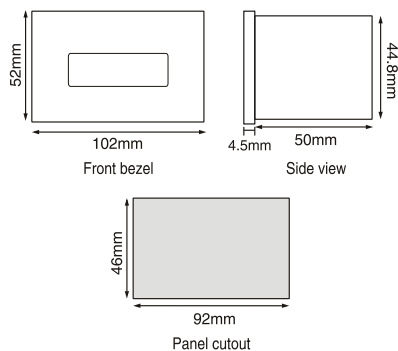
FEATURES

- Measurement Function
 - Frequency (MF16)
 - Power Factor (MP14)
- 4 Digit LED Display



CAT. NO.	MF16-110V-CU	MP14-110V-CU
Display		
Display Type	7 segment LED Display	7 segment LED Display
Digits	4 digits	4 digits
Bargraph	-	-
Display Range	45.00 ~ 65.00 Hz	-1.000 ~ +1.000
Supply Specification		
	110 VAC +/- 20% (60Hz)	110 VAC +/- 20% (60Hz)
Input Specification		
Electrical Wire System	1 Phase (2 wire)	1 Phase (2 wire)
Input Current Range	-	0.25 ~ 6A
Frequency Range	45 ~ 65 Hz	50/60Hz
Parameter Resolution		
Frequency	0.01 Hz	-
Power Factor	-	0.001
Accuracy Class		
Frequency	+/- 0.05Hz	-
Power Factor	-	+/- 0.05% +/- 2 digits
Output Specifications		
Pulse Output	-	-
Communication		
	-	-
Programmable Parameters		
	-	-
Environmental Specifications		
Temperature	Operating: -10°C~55°C, Storage: -20°C~ 75°C	Operating: -10°C~55°C, Storage: -20°C~ 75°C
Humidity	Up to 85% RH	Up to 85% RH
Protection Level	IP65 for Faceplate	IP65 for Faceplate
Physical Specifications		
Size	1/8 DIN, 48 mmx 96 mm	1/8 DIN, 48 mmx 96 mm
Weight	0.37 lbs (170g)	0.37 lbs (170g)
Terminal Size Acceptability and Torque	20-14 AWG (0.5 - 2.5mm ²), 6-7 lb-in. (0.68 - 0.79Nm)	20-14 AWG (0.5 - 2.5mm ²), 6-7 lb-in. (0.68 - 0.79Nm)

DIMENSIONS

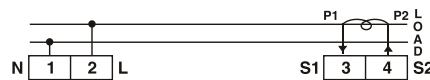


MF / MP Series

TERMINAL CONNECTIONS



MF16-110V-CU



MP14-110V-CU

230 VAC versions also available, please consult Altech.

X-ON Electronics

Largest Supplier of Electrical and Electronic Components

Click to view similar products for [Digital Panel Meters](#) category:

Click to view products by [Altech](#) manufacturer:

Other Similar products are found below :

[M00558-00](#) [01.098.1658.1](#) [70.360.4828.0](#) [72331-00](#) [85310-25](#) [86427-26](#) [86642-00](#) [87268-13](#) [87316-00](#) [87719-26](#) [98107-56](#) [HB8260-R36-90](#) [DMS-20ACV-3-R-C](#) [EM11DINAV81XR1X](#) [25.325.3253.1](#) [25.325.4253.1](#) [25.330.0453.1](#) [25.350.0553.0](#) [20046-20](#) [20182-23](#) [AP1020](#) [AP1021](#) [25.320.5053.0](#) [25.350.3453.1](#) [25.394.3653.1](#) [25.521.3253.0](#) [28006-01](#) [04.630.1080.0](#) [20078-20](#) [EM11DINAV81XO1X](#) [85874-26](#) [87166-00](#) [87895-00](#) [28000-03](#) [K3GN-NDT1-FLK 24VDC](#) [82322K-11](#) [86641-00](#) [87004-00](#) [MV15-DC-20V-110V-CU](#) [HB8260R4890](#) [20125-21](#) [86640-00](#) [2CMA100166R1000](#) [N27D 00M0](#) [DMG 100](#) [DMG 110](#) [DMG 800 L01](#) [DMK 01](#) [DMK 01 R1](#) [DMK 11](#)